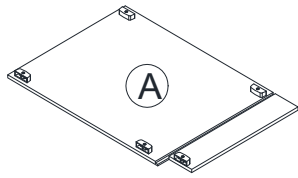
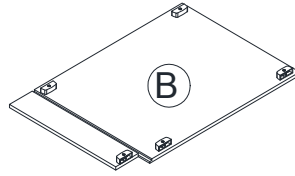


587014
ASSEMBLY INSTRUCTIONS

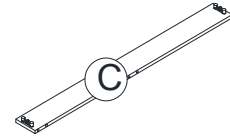
PARTS LIST:



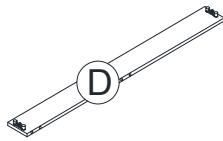
LEFT SIDE PANEL 1PCS



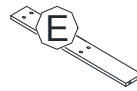
RIGHT SIDE PANEL 1PCS



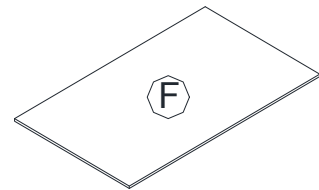
BACK UP CROSS BRACE 1PCS



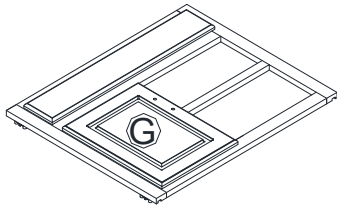
BACK DOWN CROSS BRACE 1PCS



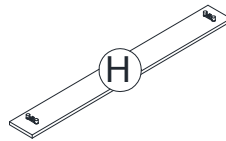
BACK PARTITION PANEL 2PCS



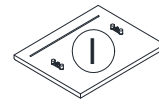
BOTTOM PANEL 1PCS



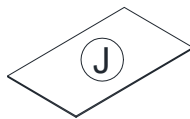
FRONT FRAME 1PCS



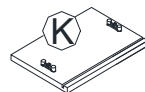
TOE KICK PANEL 1PCS



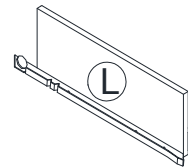
DRAWER FRONT PANEL 2PCS



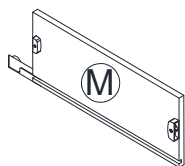
DRAWER BOTTOM PANEL 2PCS



DRAWER BACK PANEL 2PCS



DRAWER LEFT SIDE PANEL 2PCS



DRAWER RIGHT SIDE PANEL 2PCS

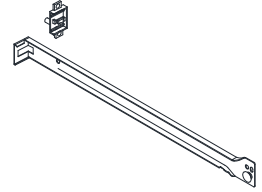
HARDWARE LIST:



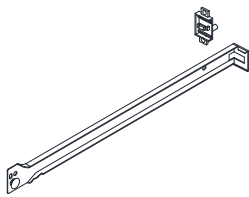
a. WOOD DOWEL 8PCS



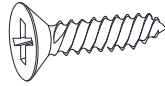
b. ROUND HEAD SCREW
8PCS



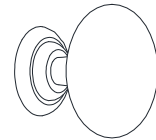
c. RIGHT DRAWER GUIDE
2PCS



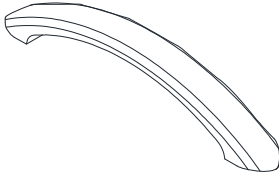
d. LEFT DRAWER GUIDE
2PCS



e. FLAT SCREW 4PCS



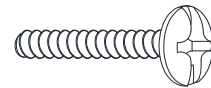
f. KNOB 2PCS



g. HANDLE 1PCS

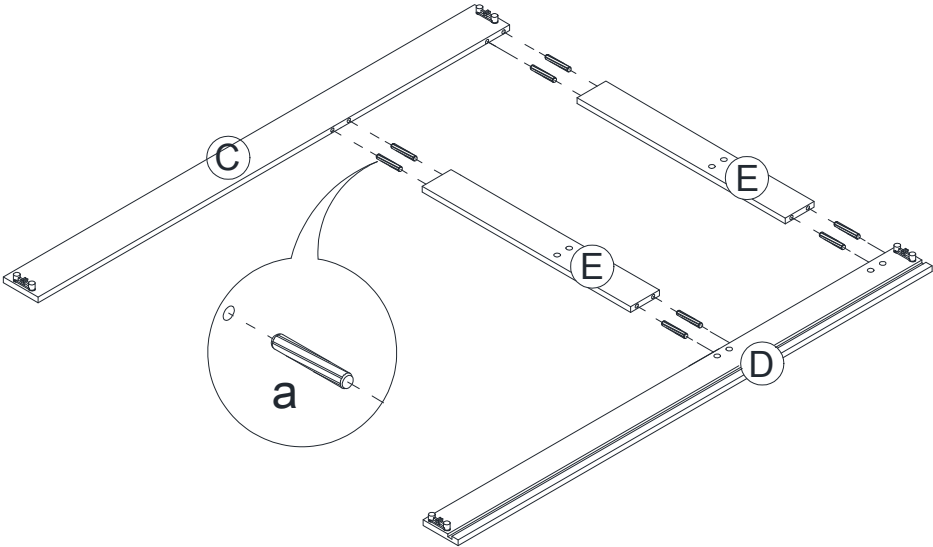


h. 3/4" L HANDLE BOLT
2PC

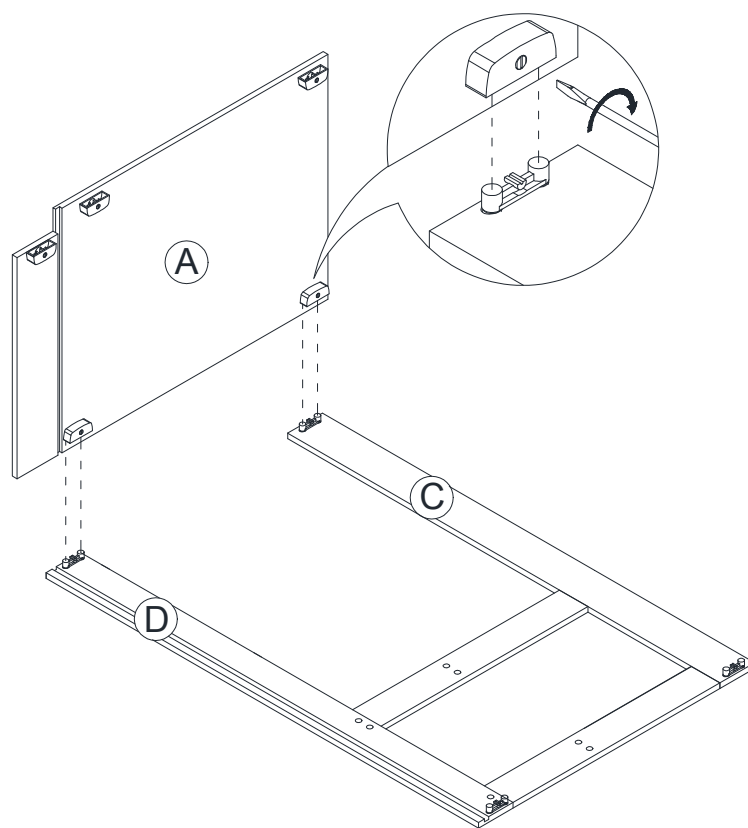


i. 7/8" L HANDLE BOLT
2PC

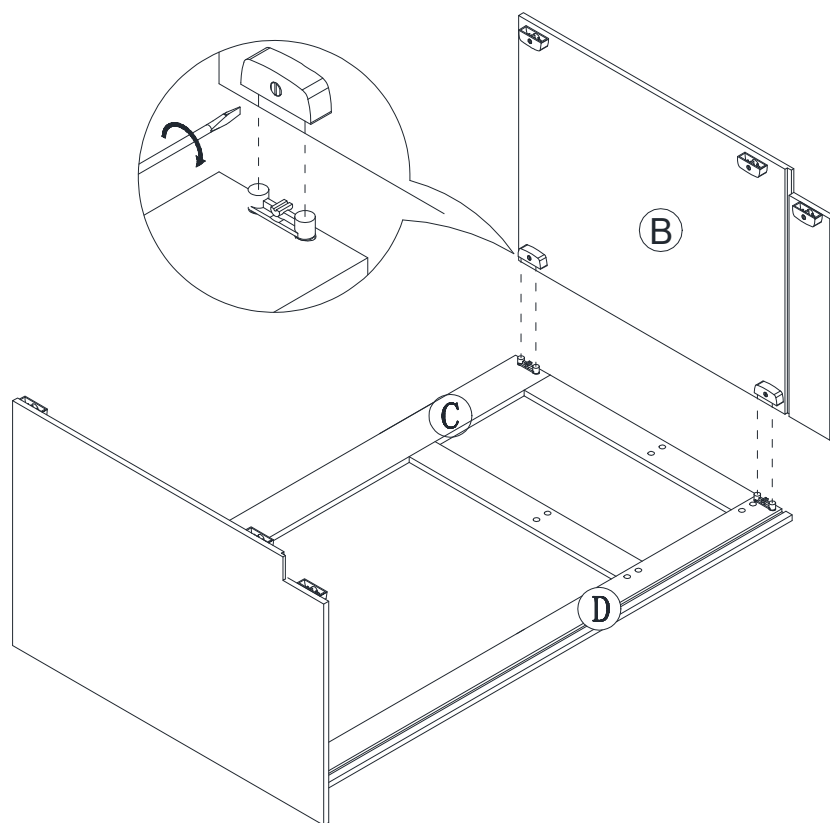
STEP 1



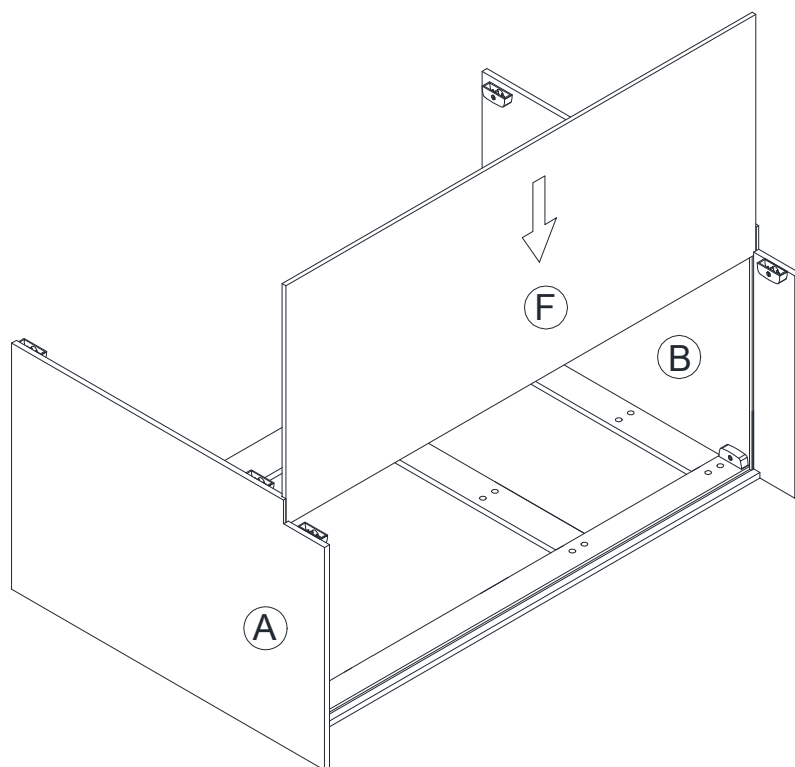
STEP 2



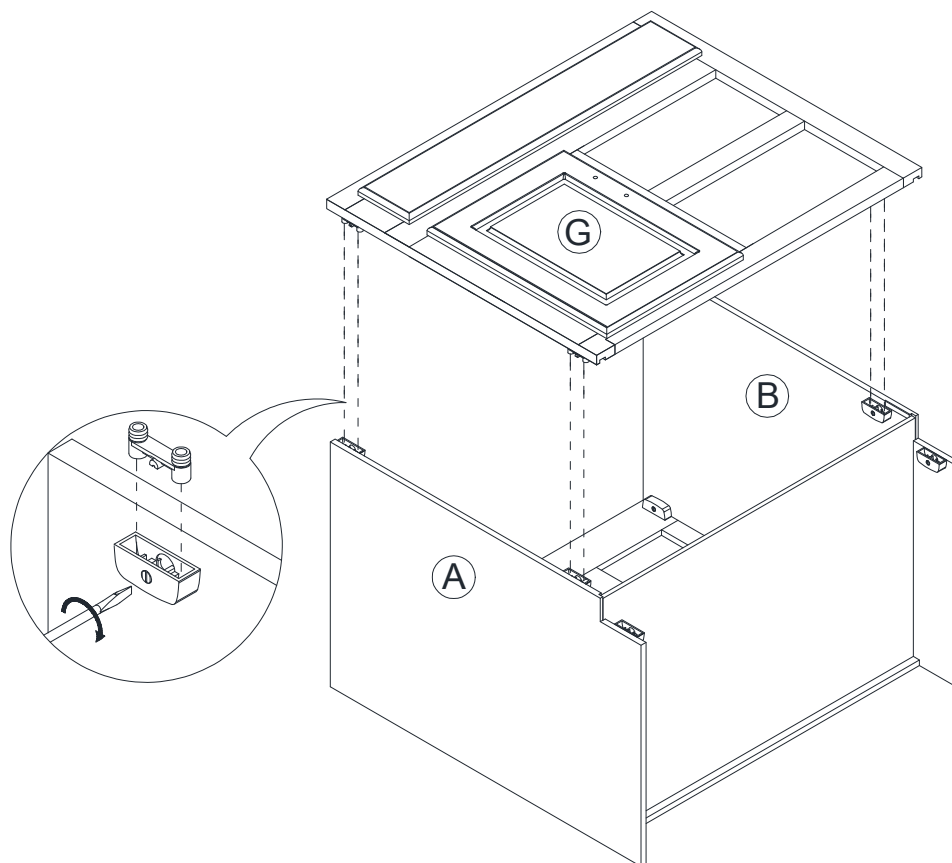
STEP 3



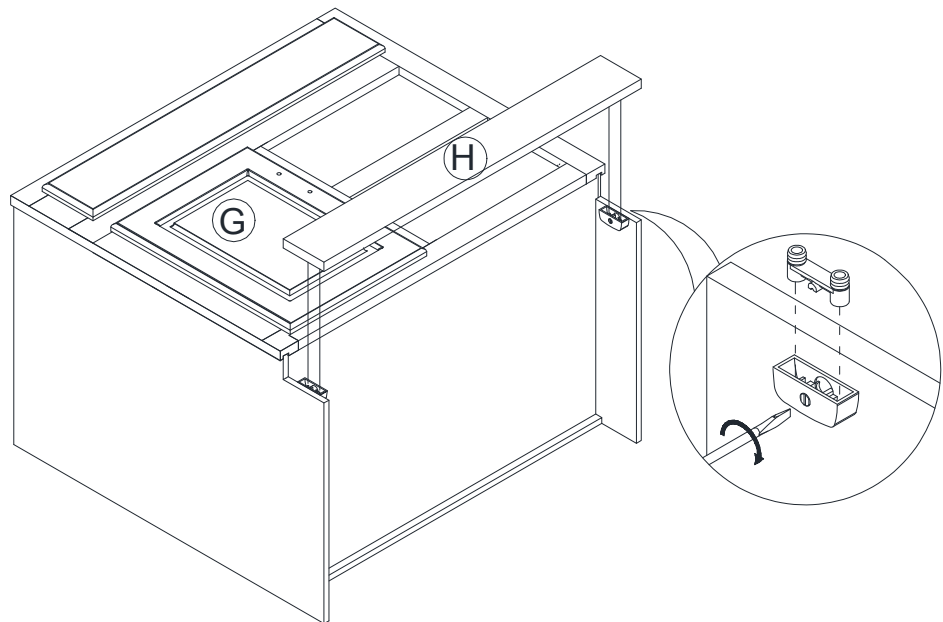
STEP 4



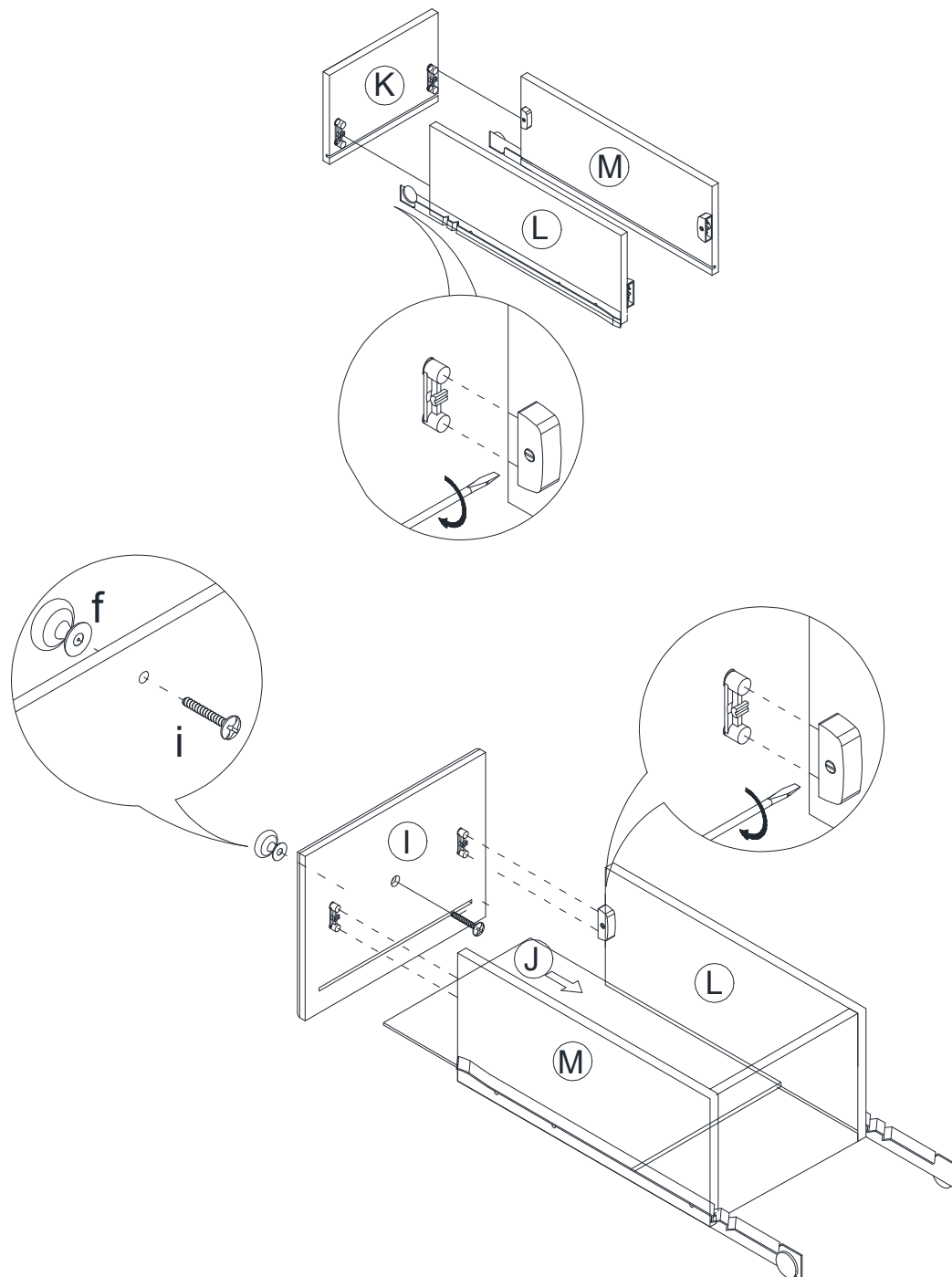
STEP 5



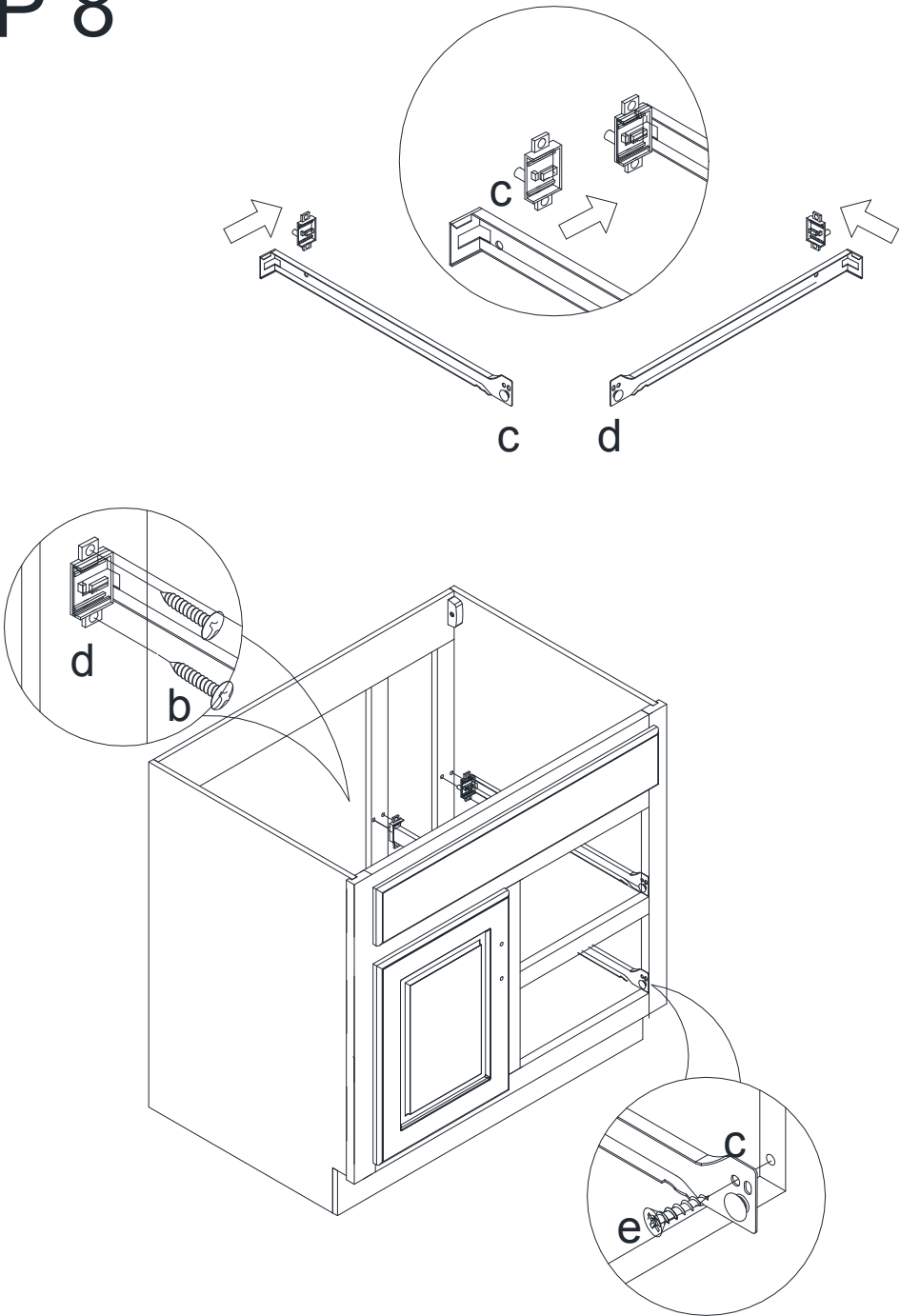
STEP 6



STEP 7



STEP 8



STEP 9

