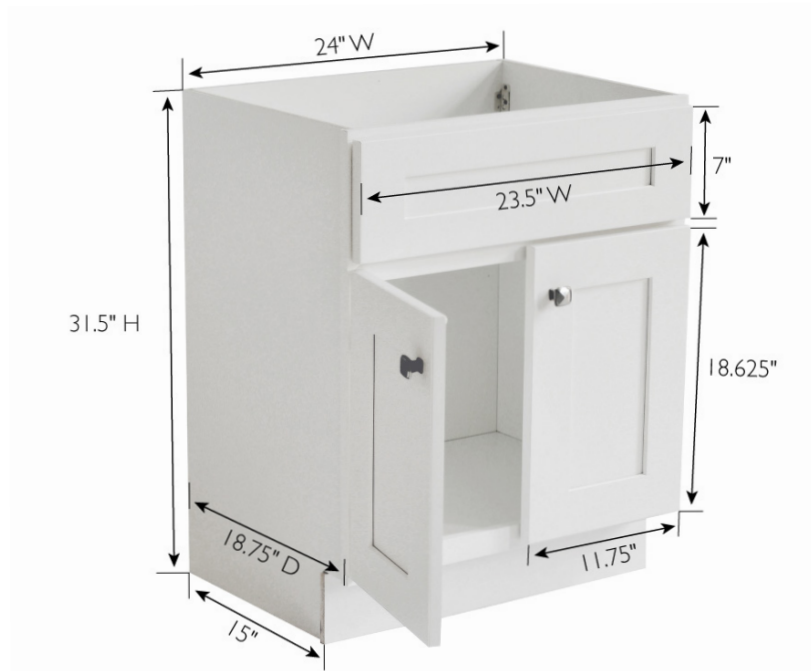


Brookings Unassembled 2-Door Vanity 24x31.5x18  
White



**SPECIFICATIONS**

<b>MATERIAL CONSTRUCTION:</b>	Wood
<b>ASSEMBLY REQUIRED:</b>	Yes
<b>TOOLS NEEDED FOR ASSEMBLY:</b>	Phillips Screwdriver, Rubber Mallet, Wood Glue
<b>ASSEMBLED DIMENSIONS:</b>	31.5" H x 24" L x 18.74" D
<b>ASSEMBLED WEIGHT:</b>	47.79 lbs.
<b>HINGE STYLE:</b>	Concealed
<b>DOOR STYLE:</b>	2 Shaker Doors
<b>DRAWER STYLE:</b>	N/A
<b>GLIDE STYLE:</b>	N/A
<b>FAKE DWR STYLE:</b>	N/A
<b>DWR DIMENSIONS:</b>	N/A
<b>DWR CONSTRUCTION:</b>	N/A
<b>SHELF STYLE:</b>	N/A
<b>SHELF ADJUSTABILITY INCREMENTS:</b>	N/A
<b>SHELF MAX WEIGHT CAPACITY:</b>	N/A
<b>SHELF DIMENSIONS:</b>	N/A
<b>SHELF THICKNESS:</b>	N/A
<b>SHELF MATERIAL:</b>	N/A

<b>FRAME STYLE:</b>	Face Frame
<b>FACE FRAME MATERIAL:</b>	Solid Wood
<b>SIDES MATERIAL:</b>	Plywood
<b>BOTTOM MATERIAL:</b>	Plywood
<b>TOE KICK INSET WIDTH:</b>	3"
<b>BACK PANEL MATERIAL:</b>	Plywood
<b>BACK BRACE MATERIAL:</b>	Solid Wood



<b>WARRANTY:</b>	1-Year limited warranty
<b>TITLE IV COMPLIANT:</b>	Yes
<b>PROP 65 HARMFUL MATERIAL:</b>	Formaldehyde



TYPE:  
JOB:  
ORDER CODE:  
APPROVALS: