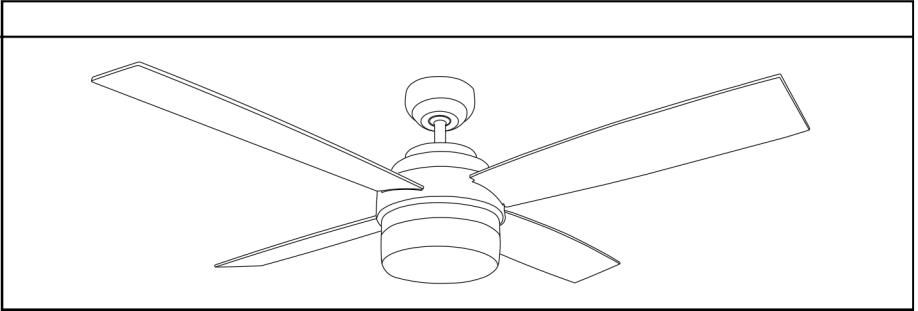

INSTALLATION INSTRUCTIONS



"INSTRUCTIONS PERTAINING TO RISK OF FIRE OR INJURY TO PERSONS"
"READ ALL INSTRUCTIONS"

**"IMPORTANT SAFETY
INSTRUCTIONS"**
"SAVE THESE INSTRUCTIONS"

TOOLS AND MATERIALS REQUIRED

- Philips Screw Driver
- Blade Screw Driver
- Wiring supplies as required by electrical code.
- Step Ladder
- Wire Cutters

This manual is only for the installation. the actual product may be a little different .

SAFETY PRECAUTIONS

1. Turn off power at main electrical service box before starting installation.
2. Electrical connections must comply with local code ordinances or national electrical codes.
3. Make sure the installation site you choose allows the fan blades to rotate freely without any obstructions.
4. When mounting the fan on a ceiling outlet box, Use an approved (CSA for Canada and UL for U.S.) ceiling fan box marked "**FOR FAN SUPPORT**".
5. CAUTION: To reduce the risk of personal injury, use only the screws provided with the outlet box.

WARNING

- To reduce the risk of personal injury **DO NOT** bend the blade brackets when installing the brackets, balancing the blades or cleaning the fan. Also, **DO NOT** insert foreign objects in between rotating fan blades.
- Mount with the lowest moving parts at least 2.15 Meters (7 Feet) above floor or grade level.
- **DO NOT** operate reversing switch while fan blades are in motion. Fan must be turned off and rotating blades stopped, reverse chain pulled, the speed chain pulled again to start in the opposite direction.

INSTRUCTIONS

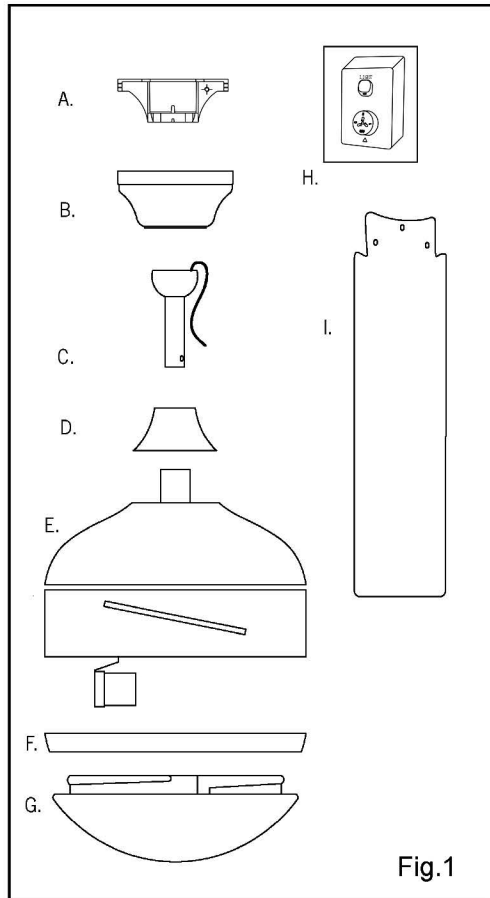
The slide switch is for forward/reverse rotation.

In cold weather: Set to reverse rotation (clockwise). Airflow will be directed upward, circulating warm air.

In warm weather: Set to forward rotation (counter-clockwise). Airflow will be directed downward, circulating cold air.

ASSEMBLY DRAWING

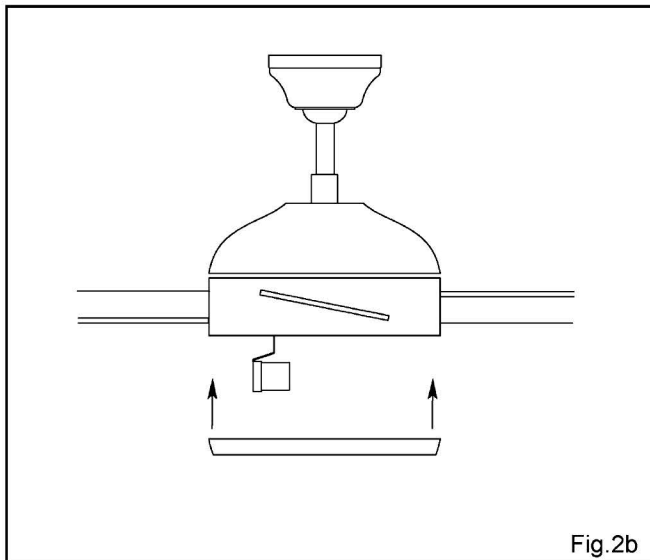
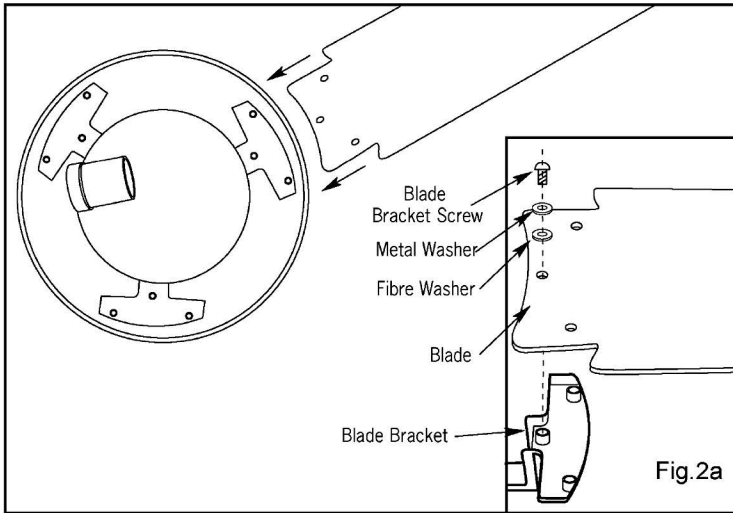
- A. Mounting Bracket
- B. Canopy
- C. Downrod Assembly
- D. Yoke Cover
- E. Fan Motor Assembly
- F. Motor Cover
- G. Glass
- H. Wall Control
- I. Fan Blade



1.

ATTACH THE FAN BLADES

- Attach the blades to the fan motor assembly using the screws and flat washers.
- Mount the motor cover to the fan motor assembly, aligning screws in motor fan assembly with the key slots on the motor cover. Turn cover to lock in place and tighten screws.



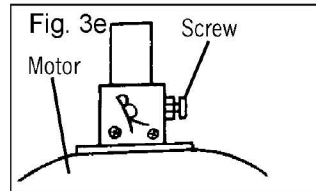
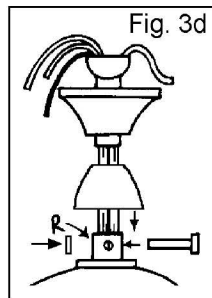
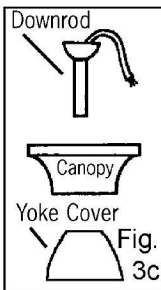
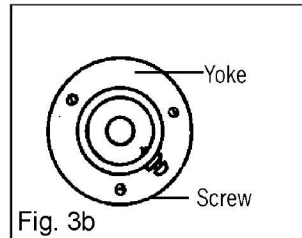
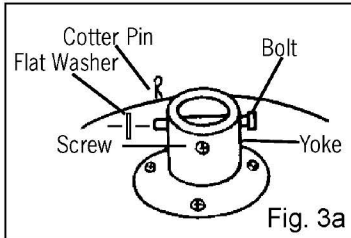
INSTALLATION

NOTE: All set screws must be checked and retightened where necessary, before and after installation.

2. MOUNTING

A DOWNROD MOUNT

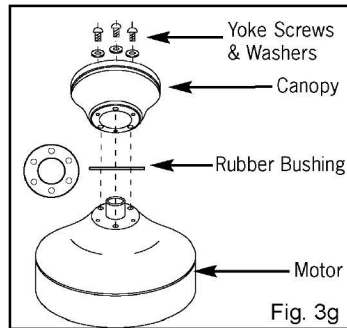
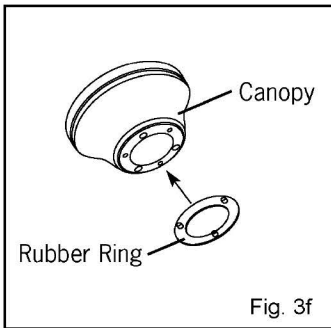
- Obtain fan motor housing.
- Remove cotter pin and bolt from yoke.
- Loosen screw in yoke until it is flush with the inside surface.
- Obtain downrod, canopy and yoke cover.
- Place downrod inside canopy and yoke cover.
- Route wires exiting motor through yoke cover, canopy and downrod.
- Insert bolt through hole in shaft and downrod. **“Be careful not to damage or cut the fan wires.”**
- Tighten flat washer and bolt. Secure with cotter pin through hole in the end of the bolt.
- Secure downrod in position by tightening screws. Slide yoke cover down so it is flush with the motor housing.



2. MOUNTING

B FLUSH MOUNT

- Remove rubber ring from canopy.
- Place canopy on fan housing by aligning 3 larger holes of canopy over 3 existing screws on the motor housing.
- Secure canopy to motor housing by placing 3 screws and washers (supplied in hardware package) in the 3 smaller holes in the canopy.



3.

INSTALL MOUNTING BRACKET

WARNING: To Reduce The Risk Of Fire, Electric Shock, Or Personal Injury, Mount To UL/CSA Listed Outlet Box Marked Acceptable for Fan Support And Use Mounting Screws Provided With The Outlet Box.

- Install J-Hook through centre of outlet box and into the wooden joist.
- Secure mounting bracket and rubber gaskets to outlet box.
- Hang the safety cable onto the J-hook.
- Hang fan on temporary hook and install safety cable.

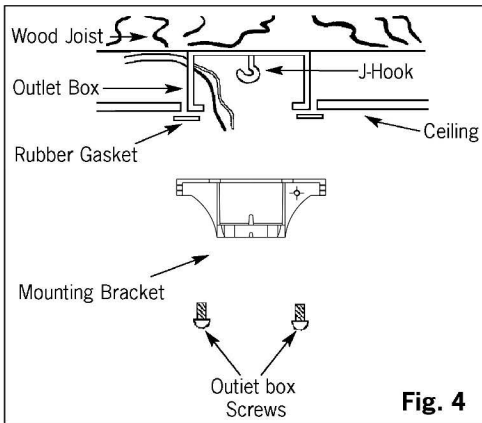
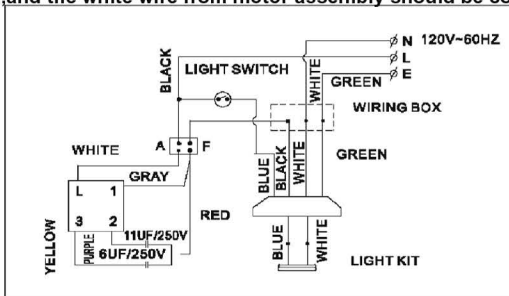


Fig. 4

ELECTRICAL CONNECTIONS

1. Four wires are connected to the top of the fan.
 Black: "Hot" Power for the fan.
 Blue: "Hot" Power for the Light
 White: "Common" For the fan and light
 Green: Ground Wire
2. The black wire from the fan should be connected to the "F" in the wall control using a terminal block, Repeat this process for other wire connecting.(see the following diagram)
3. Tuck your completed wiring back up into the electrical box.
4. For wire connecting of light kit. The blue wire from motor assembly should be connected to terminal "L", and the white wire from motor assembly should be connected to terminal "N".



WARNING: To avoid possible electrical shock, be sure electricity is turned off at the main fuse box before wiring.

NOTE: If you are not sure the electrical box and fan are grounded, contact a licensed Electrician for advice. They must be grounded for safe operation.

WARNING: Check to see that all connections are tight, and that no bare wire is visible at the wire nuts.

5.

MOUNTING FAN ASSEMBLY

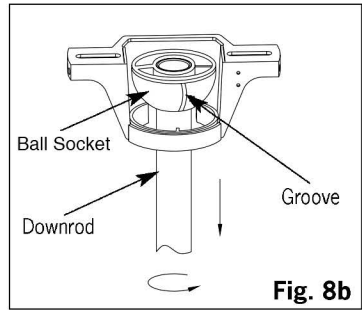
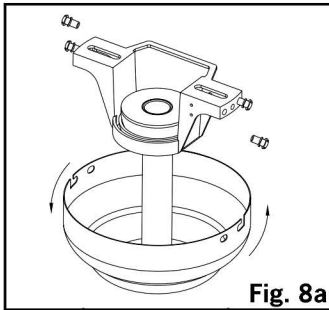
- Place two screws and washers on mounting plate (marked B on diagram) which correspond with slots in canopy. Screw in two turns.
- Position canopy to mounting plate aligning slots to screws (marked B on diagram) then turn to lock.
- Position and tighten the two screws and washers (marked A on diagram) then tighten the two screws (marked B on diagram).

6.

INSTALL BALL SOCKET(Drownrod Mount Only)

- Carefully rotate fan assembly until groove in ball socket lock over tab of canopy assembly.

WARNING: Failure to seat tab in groove could cause damage to electrical wires and possible shock or fire hazard.



NOTE: When installing fan on sloped ceiling, make sure tab on hanger bracket faces towards the top of the slope. Depending on the slope, a longer downrod may be required to prevent fan blades from hitting the ceiling.

7.

LIGHT ASSEMBLY

- Install proper wattage and type of bulb identified on light housing or shade.
- Place glass onto the fan and turn to secure.

WARNING: BE SURE TO TURN OFF POWER BEFORE INSTALLING

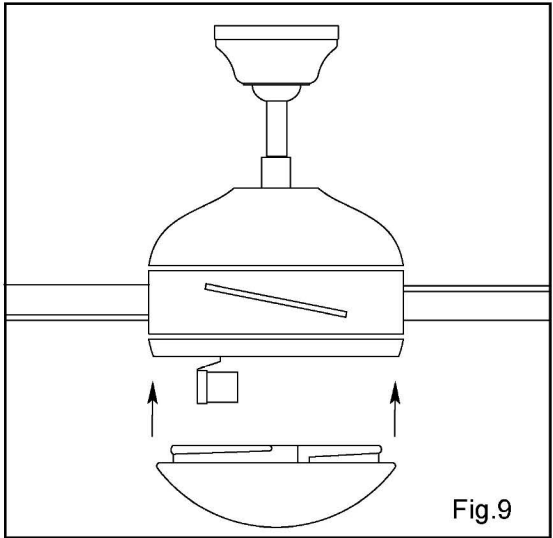


Fig.9

WARNING: Check all connections, set screws and screws are securely tightened before the next step.

TROUBLESHOOTING

TROUBLE

SUGGESTIONS

1. Fan will not start
 - Check wiring connections to fan.
 - Check fuses and circuit breakers.
 - Check wiring connections in switch housing.

CAUTION: Turn power off for last two items.
2. Fan sounds noisy
 - Check to make sure that all screws in motor housing are snug.
 - Check to make sure that blade bracket screws are tight.
 - Check to make sure that wire nuts in switch housing are not rattling against wall of switch housing.
 - If fan has a light kit make sure switch housing screws and set screws are tight.
 - Some fan motors are sensitive to signals from solid state variable controls. If solid state controller is used, change to an alternative control.
 - Allow a 24 hour break in period to eliminate most noises.
3. Fan wobbles or shakes excessively.
 - Check that all blades are screwed firmly into blade brackets.
 - Check that blade brackets are secured firmly to motor.
 - Check distance from tip of blades to ceiling. Gently bend up or down the blade brackets until all distances are the same.
 - Check distance between blade tip to blade tip. All measurements should be equal. Loosen blade screws and position blade until even then re-tighten.
 - Check that the downrod ball socket notch is engaged in canopy.
 - Check to make sure that screws in downrod are tightened.
 - Make sure canopy and mounting bracket are tightened securely to wooden joist.
 - Make sure warpage has not occurred in wooden blades.

