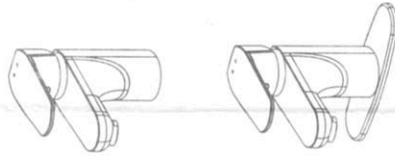


# GENERAL INSTALLATION INSTRUCTIONS

Notes: These installations are for all types of mixer, the mixer in this instructions is for reference only.



Single-lever Basin Mixer

4" Single-lever Basin Mixer

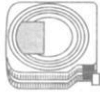
## RECOMMENDED TOOLS AND MATERIALS



Pipe Sealing Tape



Flathead Screwdriver,  
Phillips Screwdriver



Tape Measure



Adjustable Wrench



Hex Wrench



Pipe Wrench

## BEFORE INSTALLATION

- ▲ Please read these instructions carefully before starting the installation to avoid any unnecessary damage.
- ▲ Please check if the product is in a good condition after opening the package. The recommended tools shall be provided by yourself and not included with this product.
- ▲ All information is based on the latest product information available at the time of publication. We reserve the right to make changes in product characteristics, packaging or availability at anytime without notice.
- ▲ Please keep these instructions after installation for reference.
- ▲ All illustration and dimensions provided by these instructions are only for reference. For the installation, please refer to the actual product.
- ▲ Before installing and using this product, user shall carefully read and understand the content of these instructions.

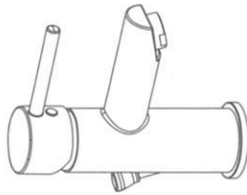
## ATTENTIONS

- ▲ Please read the followings before installing and usage.
- ▲ To avoid blockage, please flush all pipes before installing new fixture.
- ▲ Connect to appropriate water supplies with hot water supply on the left side and cold on the right side.
- ▲ For proper installation, verify the installation dimensions against the fixture.
- ▲ The temperature of the hot water shall not be higher than 71°C.

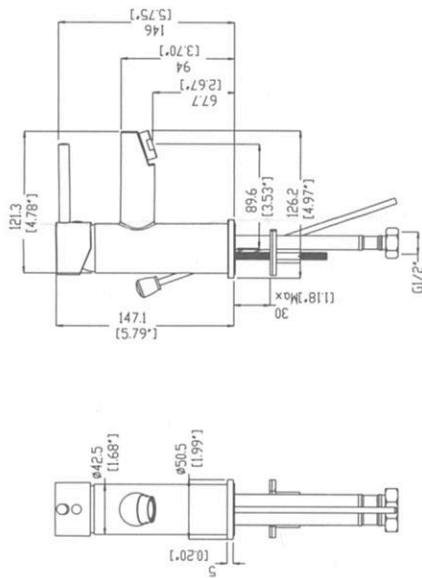
COMPONENT INSTRUCTION

# PRODUCT COMPONENT INSTRUCTION

**817114/817072/817510**  
**EASTPORT VESSEL LAVATORY**  
**FAUCET 1.5 GPM**



## DIMENSIONS



■ For Reference only (unit = mm[inch])

## FAUCET MAINTENANCE

Please read the followings before installing and usage.

1

### Installation

Rinse the inlet pipe clean.  
 Exactly connect to appropriate water supplies with hot water supply on the left side and cold on the right side.

2

### Technique Parameter

Water Pressure: 0.1MPa-0.86MPa.  
 Water Temperature: 5-71°C.

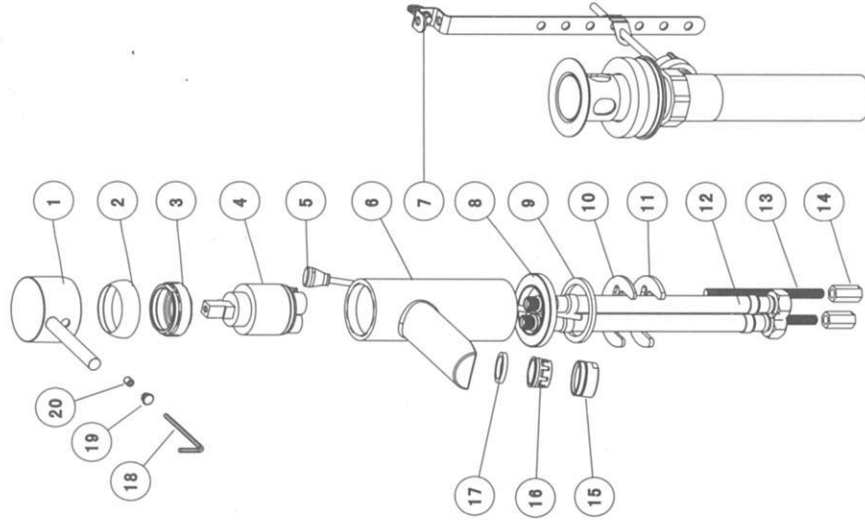
3

### Surface maintenance

Remove as mush surface dirt and film using clear water and cotton cloth.  
 Spray cleaner such as mild liquid detergents, cleaniquid glass cleaner, non-acidic and fully dissolved powder cleaners or non-abrasive liquid polishers on the rag to clean the faucet surface.  
 Once clean, rinse faucet again with clear water to thoroughly remove cleaner and dry with soft cotton cloth.

## EXPLODED DRAWING

Please read the followings before installing and usage.



NO.	Part No	Qty
01	CTHZ0281	1
02	CTCP0366	1
03	CTKB0107	1
04	ATBA0134	1
05	ATBM0022	1
06	CTYN0040	1
07	ATAA0062	1
08	CTDB0287	1
09	CTWR0025	1
10	CTWR0199	1
11	CTKL0001	1
12	ATBP0018	2
13	CTST0013	2
14	CTNB0063	2
15	CTXB0053	1
16	ATEX0040	1
17	CTWR0183	1
18	CCQT0002	1
19	CTCF0072	1
20	CTST0117	1

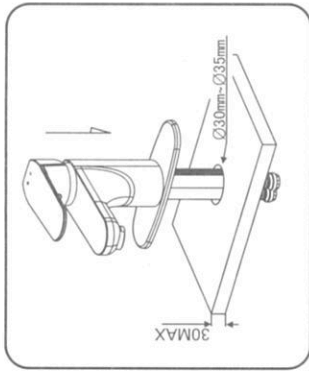
■ Notes: For reference only. We reserve the right to make changes without any notice.



**MULTIHOUSING DIRECT**

## INSTALLATION

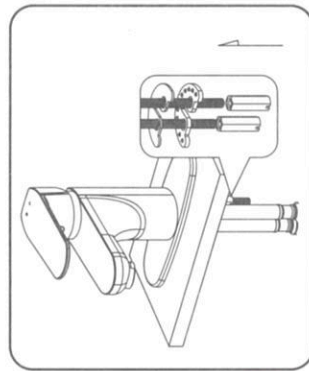
Please read the followings before installing and usage.



■ For Reference only (unit = mm)

### 1 Set the mixer

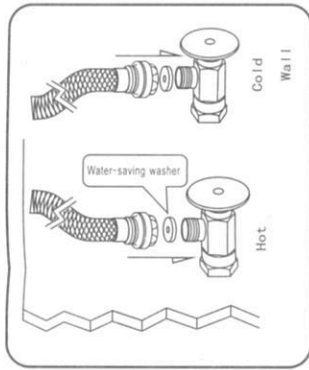
Please read the installation dimensions carefully before drilling holes as shown. It can be adjusted as actual required. Take off bottom installing components and insert the faucet on the deck hole, then adjust it to an appropriate position.



### 2 Fix mixer to the deck

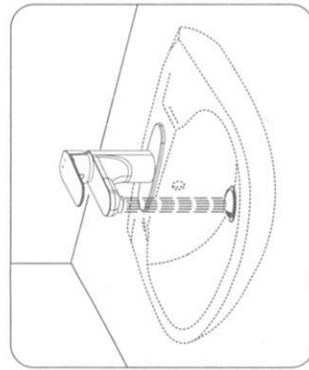
Secure the faucet on the deck by putting packing, plate and nut on and tightening up the nut with wrench.

Notes: The mixer picture in this instruction is for showing how to install only.



### 3 Connect the water supply

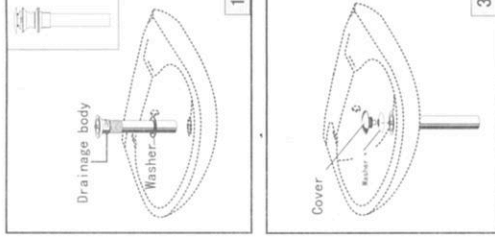
Turn the inlet hoses on the supply shut-off valves. Note: the water-saving washer shall be installed as shown, but if the water pressure is too low (<0.5kgf/cm<sup>2</sup>) to affect the normal function of the faucet, remove the water-saving washer.



### 4 Installation check

Open drainage and main water supplies to check for leakage after ensuring all joints tightened up, and let water flows out the spout to remove impurities and then close the valve.

## 5 Addendum 1: Installation of push type basin waste

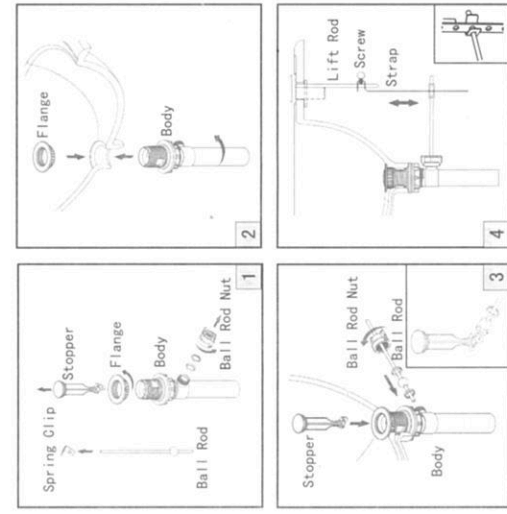


NOTES: THE PRODUCT YOU BOUGHT MAYBE NO WASTE, THIS IS FOR REFERENCE ONLY.

- Slide washer on the drainage body and insert them into the lavatory as shown on fig. 1.
- Install rubber washer, washer, and nut on the drainage body as shown on fig. 2, and tighten up the nut after appropriate adjustment.
- Put on cover and tighten up as shown on fig. 3.
- Usage: as shown on fig. 4.

## 6 Addendum 2: Installation of lift type basin waste

NOTES: THE PRODUCT YOU BOUGHT MAYBE NO WASTE, THIS IS FOR REFERENCE ONLY.



- Remove Flange from the Body. Unscrew Ball Rod Nut from Body. Take off Spring Clip from Ball Rod.
- Insert Flange into Drain Opening. Thread Body to bottom of Flange. Tighten until Rubber Washer seals securely inside Drain Opening.
- Drop Stopper into Body and insert Ball Rod into Stopper Opening. Thread Ball Rod Nut. Do not over tighten!
- Insert bottom of Lift Rod into the hole on top of Strap. Adjust the Lift Rod height by tightening the Screw on Strap or by placing Ball Rod on another hole of Strap.