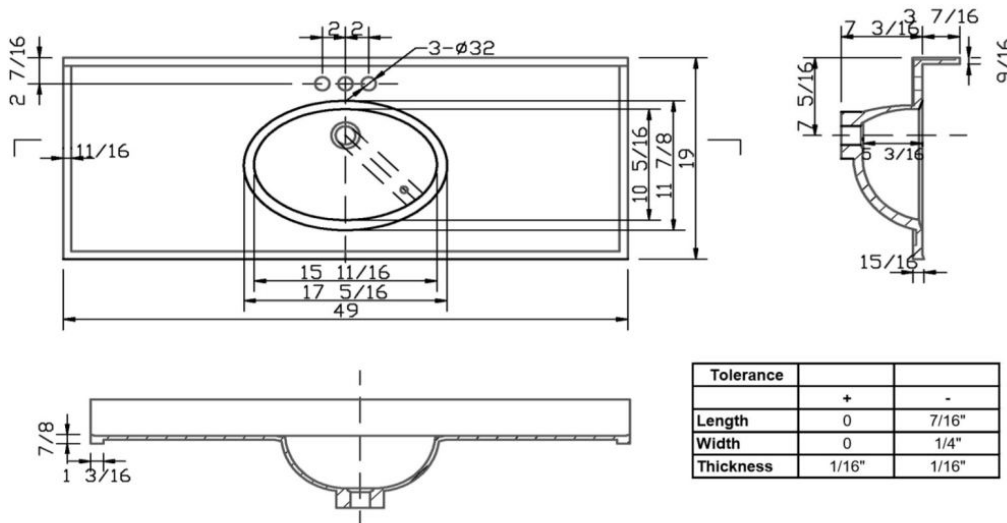


Cultured Marble Vanity Top 49x19  
White on White



SPECIFICATIONS

- MATERIAL: Cultured Marble
- TOOLS NEEDED FOR INSTALLATION: 100% silicone
- ASSEMBLED DIMENSIONS: 10.63" H x 49" L x 19" D
- ASSEMBLED WEIGHT: 57.54 lbs.
- FAUCET TYPE: Lav Centerset
- NUMBER OF MOUNTING HOLES: 3
- BOWL MATERIAL: Cultured Marble
- BACK SPLASH INCLUDED: Yes
- COLOR: White on White
- NUMBER OF BOWLS: 1
- BOWL DIMENSIONS: 5.12" H x 10.24" W x 15.57" D
- BOWL SHAPE: Oval
- SINK THICKNESS: 0.98"
- MOUNTING TYPE: Integrated
- OVERFLOW HOLE: Yes



- WARRANTY: 5-Year limited warranty
- LEGAL FOR SALE IN CALIFORNIA: Yes



TYPE:
JOB:
ORDER CODE:
APPROVALS: