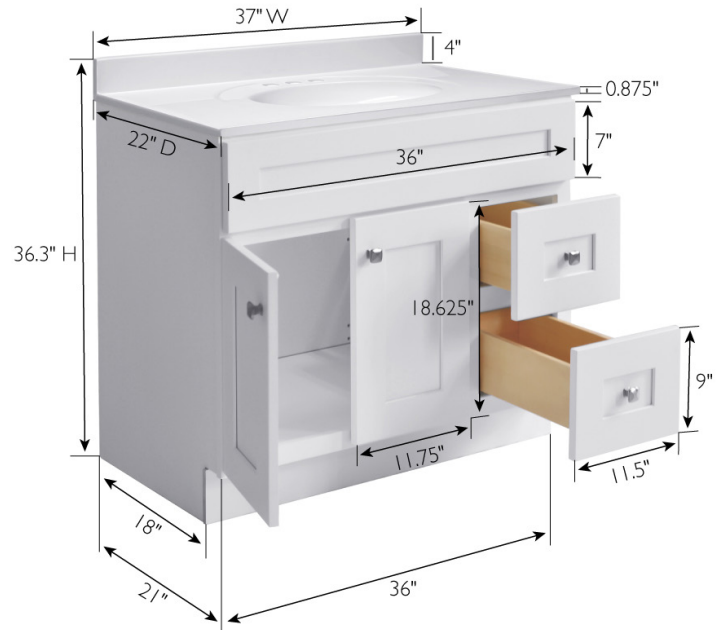


White Brookings Shaker 2-Door 2-Drawer Vanity with Cultured Marble 4 in. Centerset Solid White Top, Unassembled, 37x22



## SPECIFICATIONS

**MATERIAL CONSTRUCTION:** Wood/Cultured Marble  
**ASSEMBLY REQUIRED:** Yes  
**ASSEMBLED DIMENSIONS:** 36.3" H x 37" L x 22" D  
**ASSEMBLED WEIGHT:** 136.61 lbs.  
**TOOLS NEEDED FOR INSTALLATION:** Wrench

**CONSTRUCTION TYPE:** Face Frame  
**HINGE STYLE:** Concealed  
**DOOR STYLE:** 2 MDF Slab Shaker  
**DRAWER STYLE:** 2 MDF Drawers  
**GLIDE STYLE:** STD Easy Glide  
**FAKE DWR STYLE:** N/A  
**DWR #1 DIMENSIONS:** 5.12" H x 17.99" D  
**DWR CONSTRUCTION:** Dove Tail  
**SHELF STYLE:** N/A  
**SHELF ADJUSTABILITY INCREMENTS:** N/A  
**SHELF MAX WEIGHT CAPACITY:** N/A  
**SHELF DIMENSIONS:** N/A  
**SHELF THICKNESS:** N/A  
**SHELF MATERIAL:** N/A  
**FRAME STYLE:** N/A  
**FACE FRAME MATERIAL:** Solid Wood  
**SIDES MATERIAL:** Plywood  
**BOTTOM MATERIAL:** Plywood

**TOE KICK INSET WIDTH:** 3"  
**BACK PANEL MATERIAL:** Plywood  
**BACK BRACE MATERIAL:** Solid Wood  
**FAUCET TYPE:** Lav Centerset  
**NUMBER OF MOUNTING HOLES:** 3  
**BOWL MATERIAL:** Cultured Marble  
**BACK SPLASH INCLUDED:** Yes  
**COLOR:** Solid White  
**NUMBER OF BOWLS:** 1  
**BOWL DIMENSIONS:** 5.63" H x 11.63" W x 16.85" D  
**BOWL SHAPE:** Oval  
**SINK THICKNESS:** N/A  
**MOUNTING TYPE:** Integrated  
**OVERFLOW HOLE:** Yes

**WARRANTY:** 1-Year limited warranty  
**CARB COMPLIANT:** CARB Phase 2  
**LEGAL FOR SALE IN CALIFORNIA:** Yes  
**TSCA TITLE IV COMPLIANT:** Yes



TYPE:  
 JOB:  
 ORDER CODE:  
 APPROVALS: