



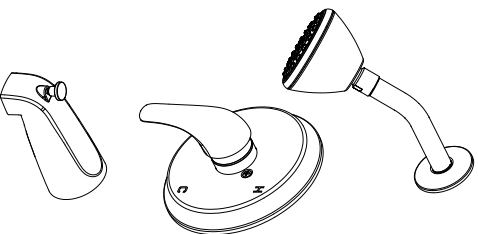
Design House is a registered brand of DHI Corp.

Mequon, WI 53092

1-800-558-8700

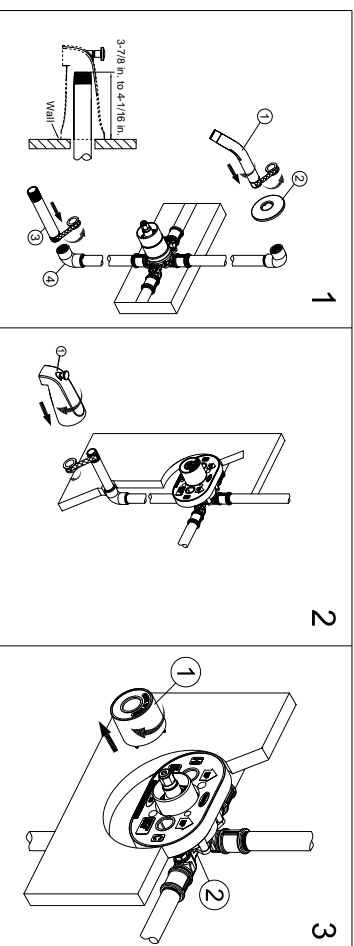
CLASSIC SINGLE HANDLE TUB & SHOWER FAUCET

Models 547455, 547463



INSTALLATION PROCEDURE

1. Installing the shower arm. Insert the long end of the shower arm (1) through the shower flange (2), and wrap thread sealant tape (not included) around the long end of the shower arm (1) in a clockwise direction, as shown. Install the long end of the shower arm (1) into the pipe elbow inside the wall. Carefully tighten the shower arm (1) with a clean, strap wrench. Do not over-tighten. Wrap thread sealant tape around the pipe threads of the tub spout outlet (3, not included) in a clockwise direction, as shown. Connect the tub spout outlet pipe (the tub spout outlet pipe should project 3-7/8 in. to 4-1/8 in. from the finished wall) to the lower pipe elbow (4, not included). Tighten the elbow and tub spout outlet pipe connections with a strap wrench.
2. Installing the tub spout. Install tub spout. Thread spout onto threaded connection clockwise until the spout becomes flush with the finished wall. Thread sealant may be required depending on your installation method. All thread sealants may be found at your local hardware store.
3. Removing the plastic cap. Before installing the escutcheon, remove the plastic cap (1) from the valve body (2) by twisting the cap in a clockwise direction when the depth distance (which is measured from the center of the shower outlet to the finished wall surface) is 1-1/2 in. to 2-1/2 in..



Your new Design House faucet will give you years of trouble free performance. Thank you for choosing our product for your home. **Please read all of these instructions carefully before installing your new faucet.**

Helpful tools to install this faucet:

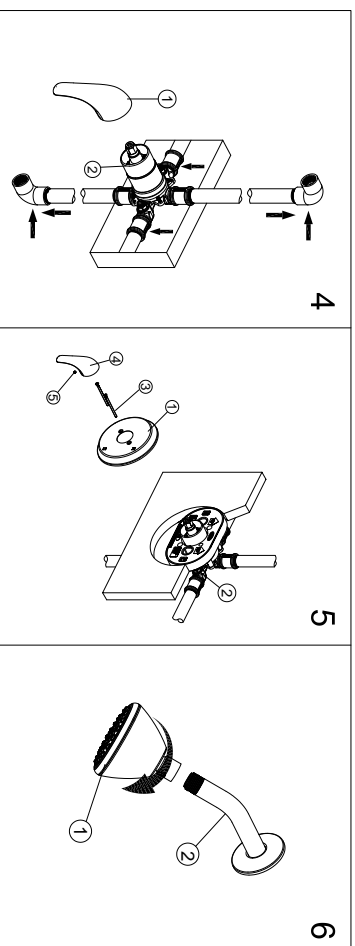
- basin wrench
- Teflon tape
- (2) crescent wrenches
- silicon sealer
- flashlight
- faucet supply tubes

IMPORTANT POINTS

- When installing your new faucet, hand tighten the connector nuts, then use one wrench to anchor the fitting and a second wrench to tighten the nut one additional turn. Connections that are too tight will reduce the integrity of the system.
- Wrap threaded connections (except aerator thread in spout or where o-ring or rubber sealant are present) with Teflon tape available from your local hardware or plumbing supply store. Always wrap in a clockwise direction.

SAFETY TIPS

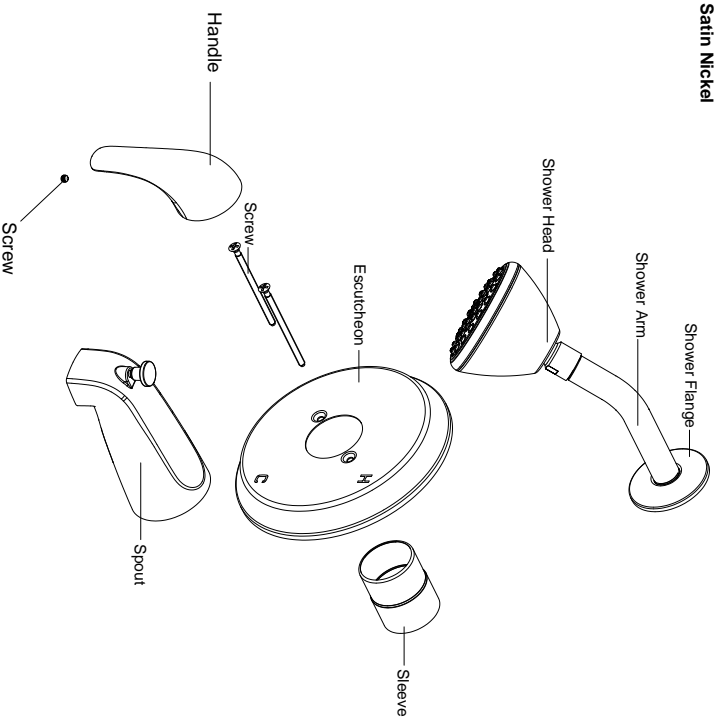
- **ALWAYS** protect your eyes with safety glasses.



4. Flushing the water outlets and checking for leaks. Place the handle (1) on the valve body (2) inverter and turn the handle (1) to the full on mixed position. Turn on the hot and cold water supply lines and allow the water to flow from the outlets for one minute, or until all foreign matter has been flushed out. Check for leaks. Shut off the water at the faucet and supply lines. Remove the handle (1).
5. Install escutcheon (1) onto valve and then insert screws (3) to attach to valve body. Place handle assembly (4) onto the valve and secure with set screw (5).
6. Installing the shower head. Attach the shower head (1) to the shower arm (2). Carefully tighten the shower head (1) with a clean strap wrench.

TROUBLE SHOOTING

- o 547455 - Polished Chrome
- o 547463 - Satin Nickel



MAINTENANCE

Your new Design House faucet is designed to give you years of trouble free performance. Avoid abrasive cleaners, steel wool and harsh chemicals that will dull the finish and void your warranty.

Brass finishes are polished, then protected with a PVD or a laquer coating to help prevent tarnishing. Clean these surfaces only with a damp, soft cloth.

Keep it looking like new by cleaning it periodically with a mild solution of soapy water. Rinse thoroughly and then dry with a soft cloth.

CONSUMER PROTECTION WARNING

Under the Safe Drinking Water Act, the U.S. Environmental Protection Agency restricts the amount of lead used in brass and solder. Your new faucet is made in strict compliance with all government standards. The materials used in the manufacture of this faucet are of industry standard quality and are similar to other plumbing products having brass fittings.

To reduce the amount of lead in your drinking water, allow the water to run for a moment before filling your glass and remember to always use cold water for drinking purposes.