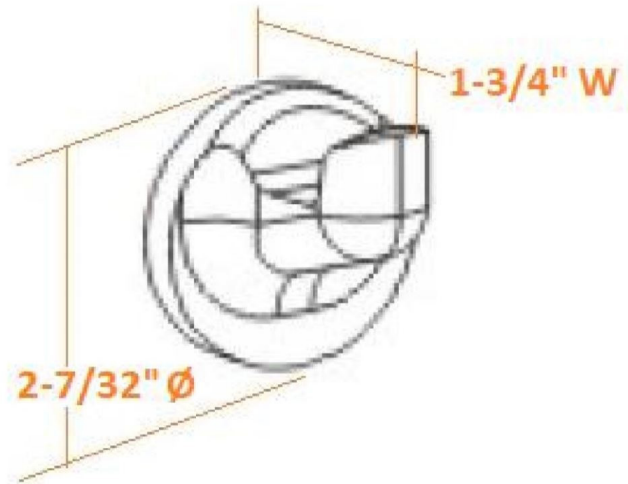


Alta Bay Robe Hook
Brushed Nickel



SPECIFICATIONS

| | |
|--------------------------------|-----------------------------|
| MATERIAL CONSTRUCTION: | Zinc |
| PVD FINISH: | No |
| ASSEMBLY REQUIRED: | Yes |
| TOOLS NEEDED FOR INSTALLATION: | Screwdriver |
| ASSEMBLED DIMENSIONS: | 1.77" H x 2.13" L x 2.13" D |
| ASSEMBLED WEIGHT: | 0.305 lbs. |
| MIN. LENGTH: | N/A |
| MAX LENGTH: | N/A |
| SCREWS INCLUDED: | Yes |
| DRYWALL ANCHORS INCLUDED: | Yes |
| CENTER TO CENTER: | N/A |

| | |
|-------------------------------|-------------------------|
| WARRANTY: | 1-Year limited warranty |
| LEGAL FOR SALE IN CALIFORNIA: | Yes |
| ADA COMPLIANT: | N/A |



| |
|-------------|
| TYPE: |
| JOB: |
| ORDER CODE: |
| APPROVALS: |