

# Pressure Balance valve kits with water stop

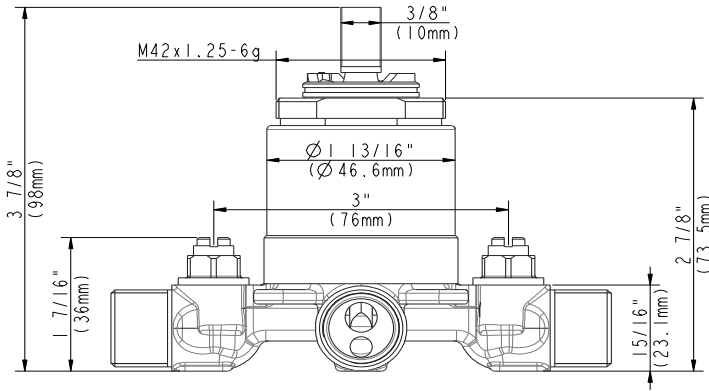
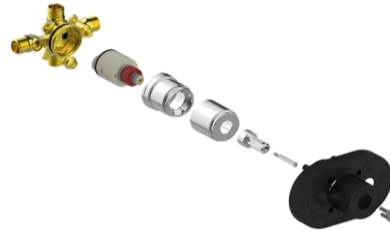
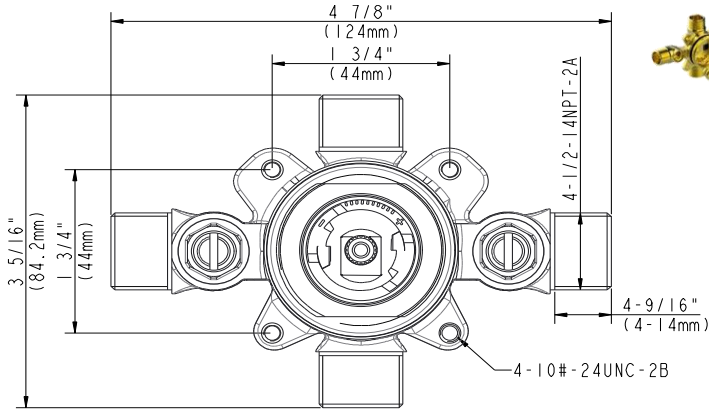


## Specifications

Cartridge Pressure Balance



## Dimensions



## Warranty & Compliances

**Warranty** Lifetime Limited Warranty, Lifetime Limited Finish Warranty  
**IAPMO/UPC** CUPC compliant  
**ASME**  
**ADA**  
**WaterSense®**  
**CEC**  
**DOE**



## Order Codes & Finishes/Colors

**Brushed Nickel (US15)**  
**Polished Chrome**  
**Oil Rubbed Bronze**  
**Brass**



816595

**Type:**  
**Job:**  
**Order Code:**  
**Approvals:**

Design House reserves the right to make changes in materials, specifications & models at any time. Design House also reserves the right to discontinue product without notice or obligation.