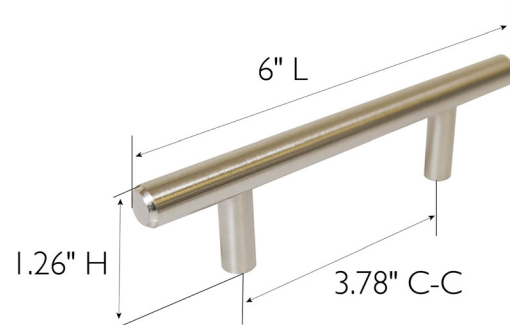
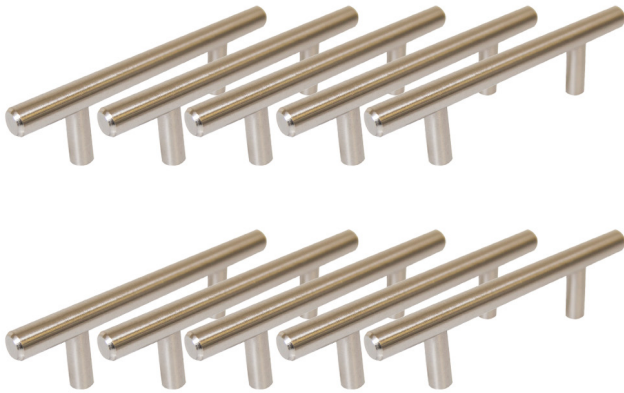


Truss Pull, 10-Pack  
Stainless Steel



**SPECIFICATIONS**

MATERIAL CONSTRUCTION:	Zinc
MOUNTING HARDWARE INCLUDED:	Yes
TOOLS NEEDED FOR INSTALLATION:	Screwdriver
CENTER TO CENTER:	3.78"
LEVER/PULL LENGTH:	6"
PROJECTION:	1.26"
ASSEMBLED WEIGHT (each):	0.1 lbs.

WARRANTY: 1-Year limited warranty  
 LEGAL FOR SALE IN CALIFORNIA: Yes



TYPE:	
JOB:	
ORDER CODE:	
APPROVALS:	