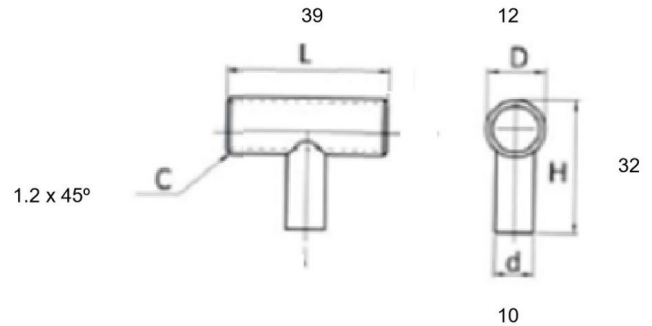
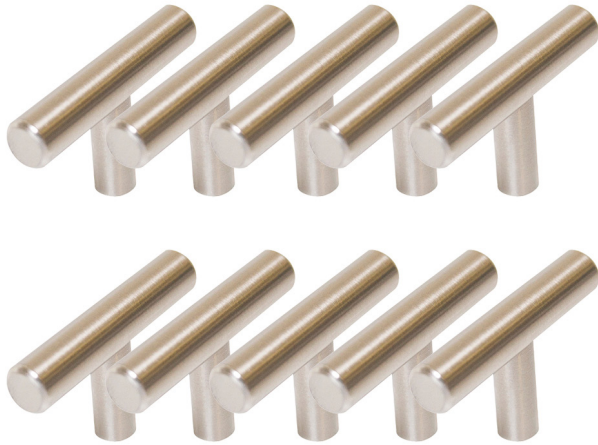


T-Pull Knob 10-Pack
Stainless Steel



SPECIFICATIONS

MATERIAL CONSTRUCTION:	Zinc
MOUNTING HARDWARE INCLUDED:	Yes
TOOLS NEEDED FOR INSTALLATION:	Screwdriver
ASSEMBLED DIMENSIONS:	1.26" H x 1.54" L
CENTER TO CENTER:	N/A
LEVER/PULL LENGTH:	N/A
PROJECTION:	1.26"
KNOB DIAMETER:	N/A
ASSEMBLED WEIGHT:	1 lbs.

WARRANTY: 1-Year limited warranty
 LEGAL FOR SALE IN CALIFORNIA: Yes



TYPE:
 JOB:
 ORDER CODE:
 APPROVALS: