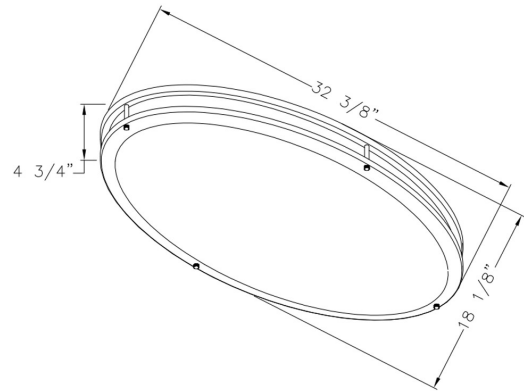


# Owens 32" LED Oval Ceiling Light

Brushed Nickel



## SPECIFICATIONS

<b>MOUNTING:</b>	Flush Mount	<b>LED BRIGHTNESS (LUMENS):</b>	2952
<b>SLOPED CEILING ADAPTABLE:</b>	No	<b>LED COLOR CORRELATED TEMPERATURE (CCT):</b>	3000K
<b>LAMP TYPE 1:</b>	42W LED	<b>LED COLOR RENDERING INDEX (CRI):</b>	90
<b>BULB INCLUDED:</b>	Yes	<b>LED EFFICACY:</b>	70.47
<b>WATTS PER BULB:</b>	N/A	<b>LED AVERAGE RATED LIFE:</b>	40000 hours
<b>TOTAL WATTAGE:</b>	42W	<b>ENERGY EFFICIENT:</b>	Yes
<b>DIMMABLE:</b>	Yes	<b>LIGHTING AMPS:</b>	N/A
<b>MATERIAL CONSTRUCTION:</b>	Steel	<b>VOLTAGE:</b>	120V
<b>ASSEMBLED DIMENSIONS:</b>	4.75" H x 18" L x 32.25" D		
<b>WEIGHT:</b>	8.49 lbs.		
<b>BACKPLATE DIMENSIONS:</b>	N/A		
<b>CANOPY/PLATE DIMENSIONS:</b>	N/A		
<b>GLASS/SHADE DIMENSIONS:</b>	N/A		
<b>GLASS/SHADE MATERIAL:</b>	Acrylic		
<b>GLASS/SHADE TYPE:</b>	N/A		
<b>GLASS/SHADE COLOR:</b>	White		

<b>WARRANTY:</b>	10-Year limited warranty
<b>UL/ETL CERTIFICATION:</b>	ETL
<b>WET/DRY/DAMP LISTING:</b>	Dry
<b>ADA COMPLIANT:</b>	No
<b>ENERGY STAR CERTIFIED:</b>	Yes



TYPE:
JOB:
ORDER CODE:
APPROVALS: