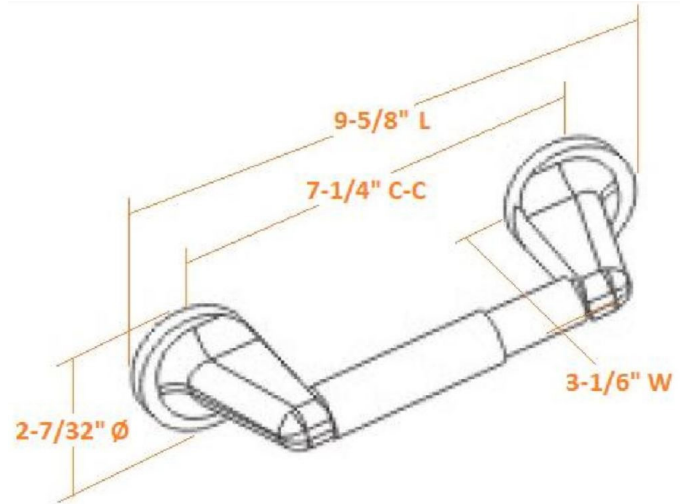


Alta Bay Toilet Paper Holder
Polished Chrome



SPECIFICATIONS

| | |
|--------------------------------|-----------------------------|
| MATERIAL CONSTRUCTION: | Zinc |
| PVD FINISH: | No |
| ASSEMBLY REQUIRED: | Yes |
| TOOLS NEEDED FOR INSTALLATION: | Screwdriver |
| ASSEMBLED DIMENSIONS: | 3.07" H x 9.84" L x 2.17" D |
| ASSEMBLED WEIGHT: | 0.44 lbs. |
| MIN. LENGTH: | N/A |
| MAX LENGTH: | N/A |
| SCREWS INCLUDED: | Yes |
| DRYWALL ANCHORS INCLUDED: | Yes |
| CENTER TO CENTER: | N/A |

| | |
|-------------------------------|-------------------------|
| WARRANTY: | 1-Year limited warranty |
| LEGAL FOR SALE IN CALIFORNIA: | Yes |
| ADA COMPLIANT: | N/A |



TYPE:
JOB:
ORDER CODE:
APPROVALS: