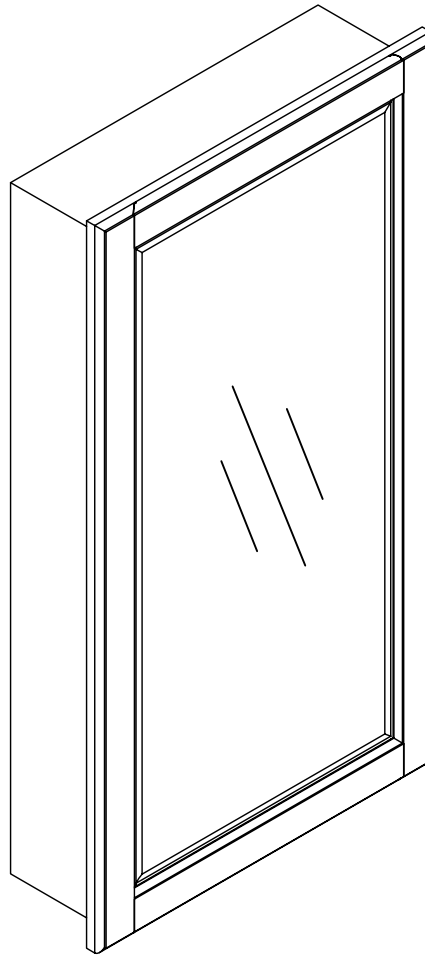




[www.todaysdesignhouse.com](http://www.todaysdesignhouse.com)

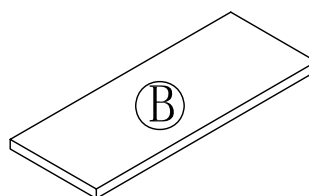
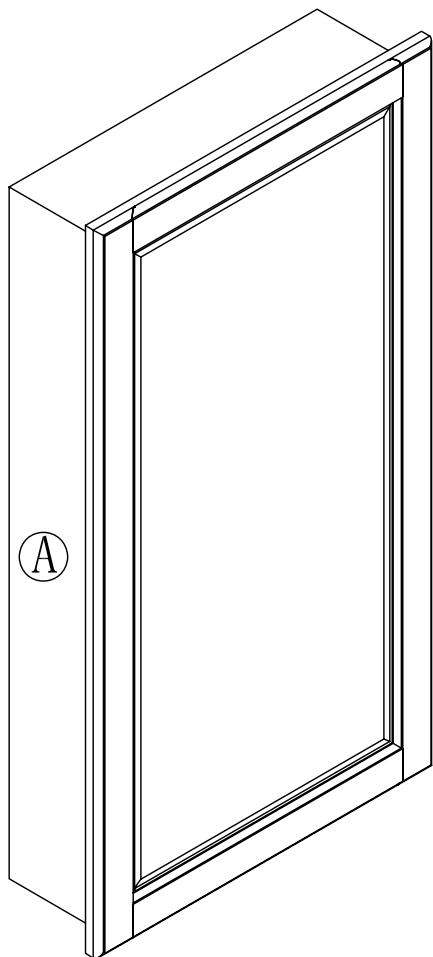


545111

# ASSEMBLY INSTRUCTIONS

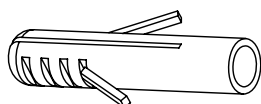
DHI Corp. • 5205 W. Donges Bay Rd. • Mequon, WI 53092 • 800.558.8700

# PARTS LIST :



ADJUSTABLE SHELF 2PCS

# HARDWARE LIST :



a. WALL ANCHOR 4PCS

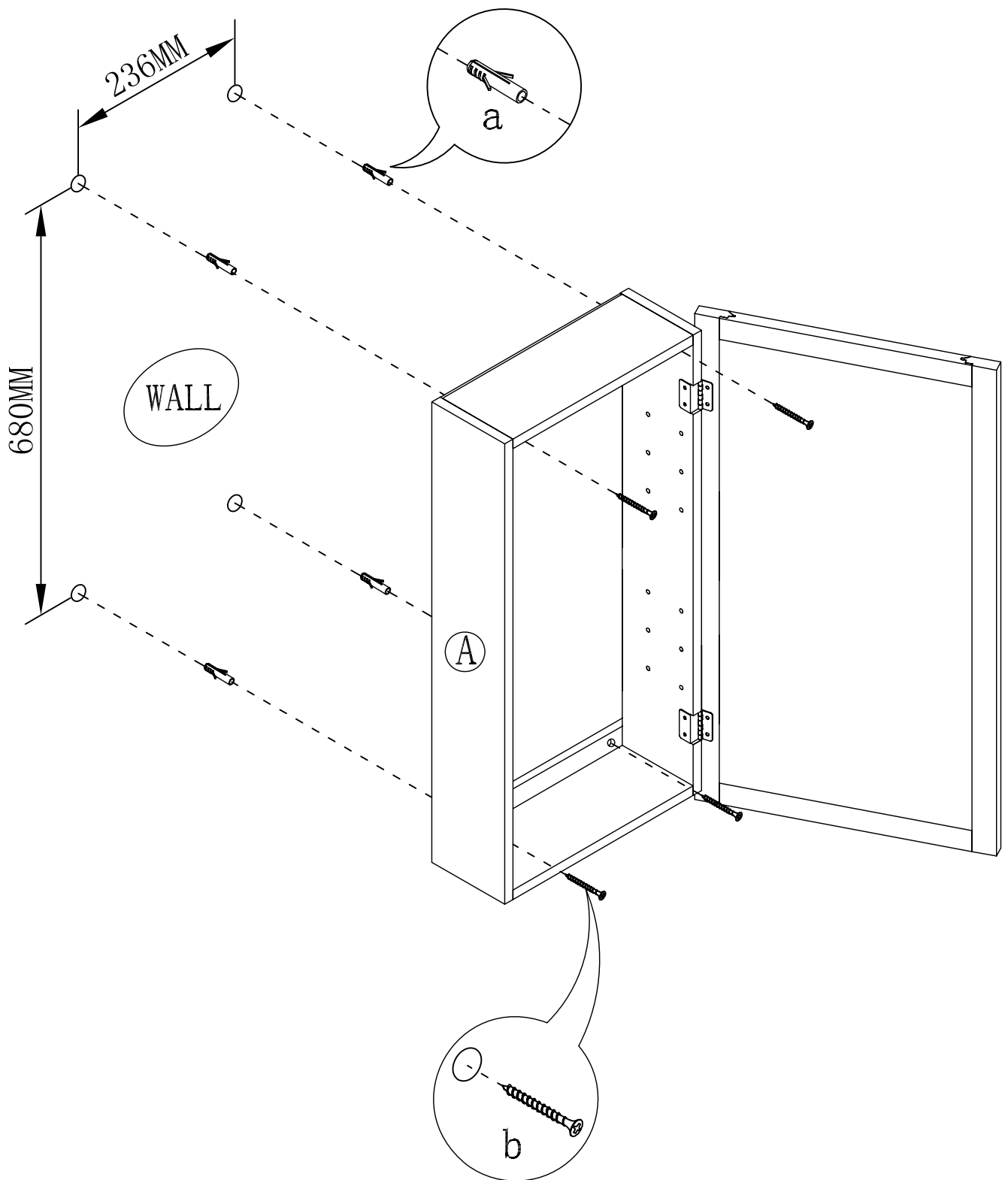


b. 2" L FLAT HEAD SCREW 4PCS



c. SHELF PIN 8PCS

# STEP 1



# STEP 2

