

# DEADBOLT Double Cylinder



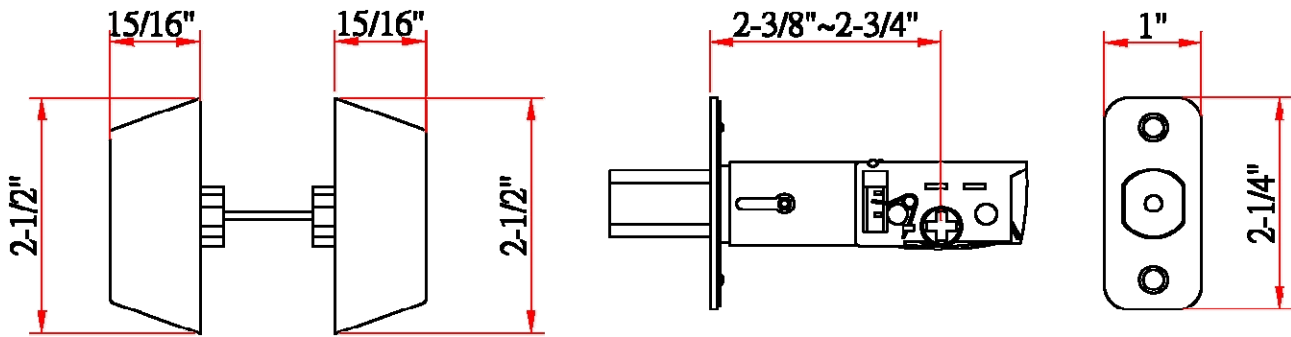
## Specifications

<b>Latch Type</b>	2-Way Latch & Universal Latch available
<b>Door Prep</b>	Cross bore 2-1/8" dia (54mm). Edge bore 1" dia (25mm)
<b>Backset</b>	Adjustable to 2-3/8" or 2-3/4"
<b>Door Thickness</b>	1-3/8" - 1-3/4" door standard
<b>Cylinder</b>	5-pin High Security - removable core
<b>Faceplate</b>	1" x 2-1/4" radius corner. (Square and drive-in also available on Universal)
<b>Strike</b>	Standard radius corner . Other options available.
<b>Latch Bolt</b>	Full 1" throw. Nickel plated.
<b>Door Handing</b>	Non-handed. Reversible for Left or Right hand doors.



<b>Keyway</b>	KW1
<b>Keyed Alike</b>	KA4 - 4 deadbolts keyed alike

## Dimensions



## Warranty & Compliances

<b>Warranty</b>	Limited Lifetime Mechanical / 5 year Finish
<b>ANSI/BHMA</b>	Meets ANSI Grade 3 specification
<b>ADA</b>	N/A
<b>UL</b>	N/A



## Order Codes

<i>Box Pack</i>	<b>2W</b>	<b>Universal</b>
<b>Satin Nickel (US15)</b>	783829	741413
<b>Polished Brass (US3)</b>	782771	741405
<b>Oil Rubbed Bronze (US10B)</b>	791673	741421
<b>Antique Brass (US5)</b>	755314	
<b>PVD Brass</b>	518613	
<i>View Pack</i>		
<b>Satin Nickel (US15)</b>	784850	
<b>Polished Brass (US3)</b>	781005	
<b>Oil Rubbed Bronze (US10B)</b>	750760	
<b>PVD Brass</b>	518894	



**Type:**

**Job:**

**Order Code:**

**Approvals:**

Design House reserves the right to make changes in materials, specifications & models at any time. Design House also reserves the right to discontinue product without notice or obligation.