

SPRINGDALE Entry Lever



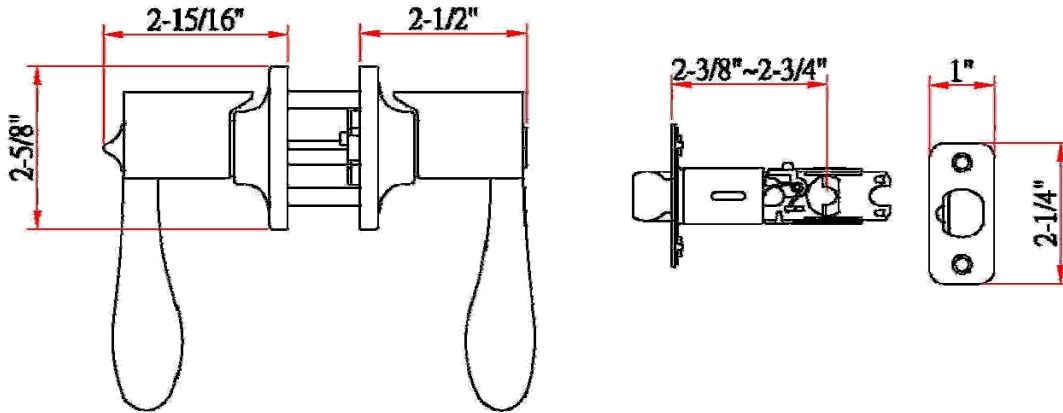
Specifications

Latch Type	2-Way Latch & Universal Latch available
Door Prep	Cross bore 2-1/8" dia (54mm). Edge bore 1" dia (25mm)
Backset	Adjustable to 2-3/8" or 2-3/4"
Door Thickness	1-3/8" - 1-3/4" door standard
Cylinder	5-pin High Security - removable core
Faceplate	1" x 2-1/4" radius corner. (Square and drive-in also available on Universal)
Strike	Standard radius corner . Other options available.
Latch Bolt	Full 1/2" throw. Nickel plated.
Door Handing	Non-handed. Reversible for Left or Right hand doors.



Keyway	KW1
Keyed Alike	KA4 - 4 entries keyed alike

Dimensions



Warranty & Compliances

Warranty	Limited Lifetime Mechanical / 5 year Finish
ANSI/BHMA	Meets ANSI Grade 3 specification
ADA	ADA Compliant (4.13.9)
UL	N/A



ADA COMPLIANT

Order Codes

<i>Box Pack</i>	2W	Universal	
Satin Nickel (US15)	700500	742866	
Polished Brass (US3)	700468	742833	
Oil Rubbed Bronze (US10B)	700542	742957	
Rustic Pewter	701367		
<i>View Pack</i>			
Satin Nickel (US15)	742494		
Polished Brass (US3)	742460		
Oil Rubbed Bronze (US10B)	742585	754820	
Rustic Pewter	701326		

Type:

Job:

Order Code:

Approvals:

Design House reserves the right to make changes in materials, specifications & models at any time. Design House also reserves the right to discontinue product without notice or obligation.