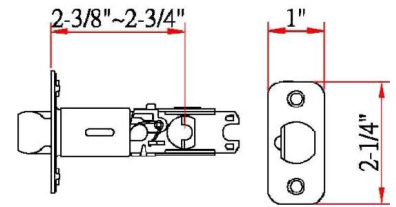
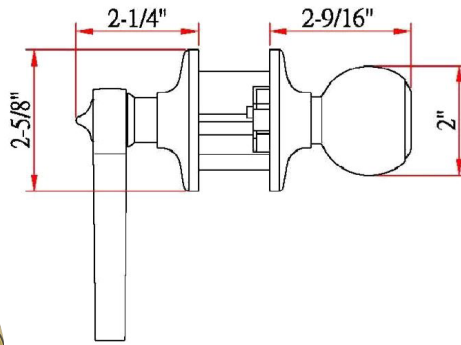


Scroll 6-Way Universal Entry Door Knob and Handle Polished Brass



SPECIFICATIONS

MATERIAL CONSTRUCTION:	Steel/Zinc	KEYWAY:	KW
LOCK FUNCTION:	Entry Knob/Lever	REMOVABLE CORE:	N/A
DEADBOLT FUNCTION:		LATCH FACEPLATE I:	Universal (Drive In)
EXTERIOR MAX PROJECTION:	N/A	LATCH BACKSET:	N/A
INTERIOR MAX PROJECTION:	N/A	LATCH TYPE:	6 Way / Universal / Drive-in
KOB VS. LEVER:	Lever	LATCHBOLT THROW DISTANCE:	N/A
KNOB DIMENSIONS:	N/A	# PINS IN CYLINDER:	5
LEVER LENGTH:	N/A	ANTI-BUMP PIN INSTALLED:	N/A
ROSE DIMENSIONS:	N/A	# KEYS INCLUDED:	2
ROSETTE / ESCUTCHEON SHAPE:		SPINDLE TYPE:	N/A
CROSS BORE:	N/A	MOUNTING HARDWARE INCLUDED:	N/A
EDGE BORE:	N/A	TOOLS NEEDED FOR INSTALLATION:	N/A
HANDING:	Reversible	ASSEMBLED WEIGHT:	1.64 lbs.
REKEYABLE?:	N/A		

WARRANTY:	5-Year limited warranty
ANSI CERTIFICATION:	N/A
BHMA GRADE:	N/A
FIRE RATED:	N/A
ADA COMPLIANT:	N/A



TYPE:
JOB:
ORDER CODE:
APPROVALS: