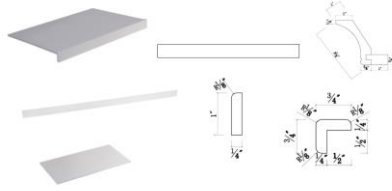
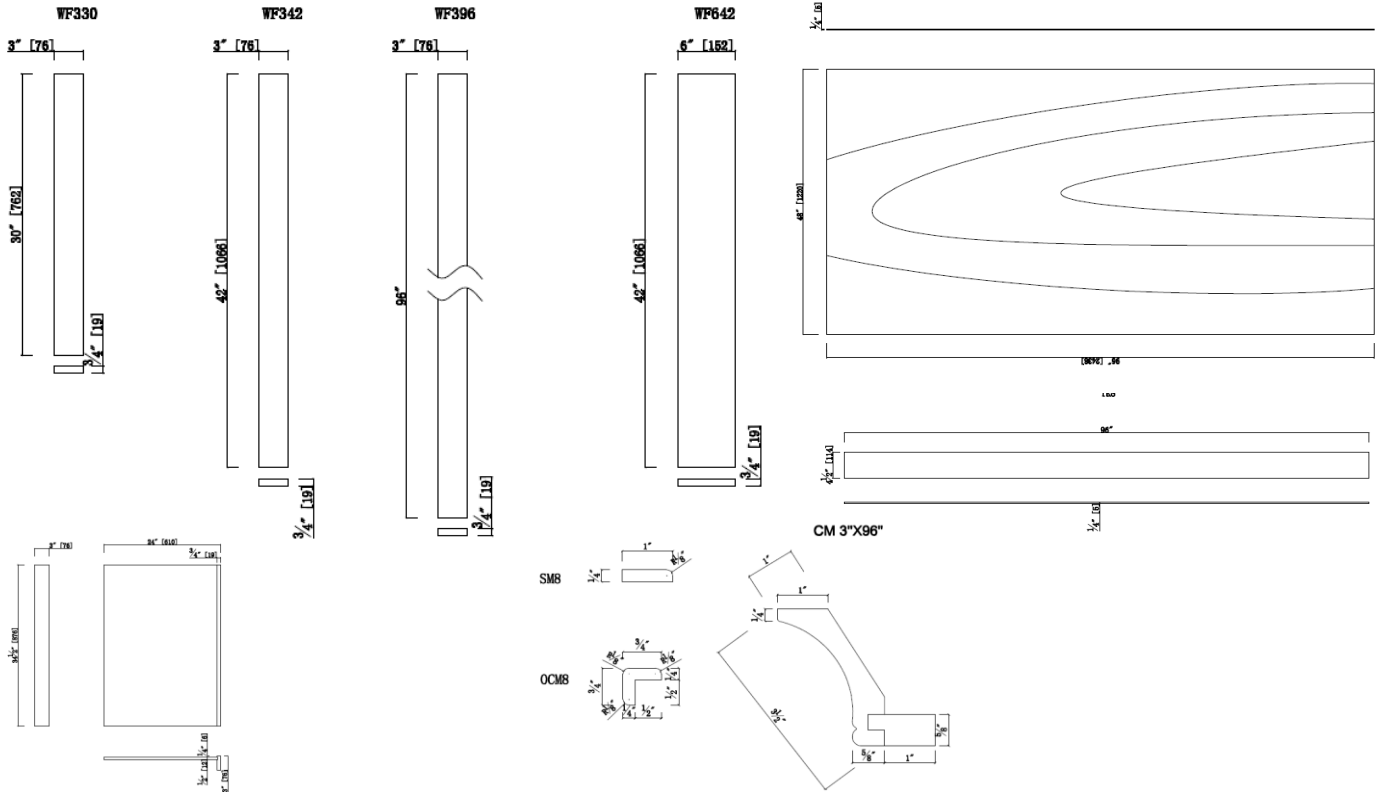


Specifications

Solid Wood
CARB P2 compliant



Dimensions



Warranty & Compliances

Warranty Limited 1 year warranty
California 93120 Compliant



Order Codes & Finishes/Colors

Espresso Finish	HDS#	DHI#
Dishwasher end panel	283684	562389
3"x30" Filler	283686	562405
3"x42" Filler	283687	562413
3"x96" Filler	283688	562421
6"x42" Filler	283689	562439
Toe Kick Skin	283690	562447
48"x96" finished Panel	283685	562397
Scribe Molding	283691	562454
Crown Molding	283692	562462
Outside Corner Molding	283693	562470
White Finish		
Dishwasher end panel	283742	561795
3"x30" Filler	283744	561811
3"x42" Filler	283745	561829
3"x96" Filler	283746	561845
6"x42" Filler	283747	561852
Toe Kick Skin	283748	561860
48"x96" finished Panel	283743	561803
Scribe Molding	283749	561855
Crown Molding	283751	561856
Outside Corner Molding	283752	561857

Type:
Job:
Order Code:
Approvals: