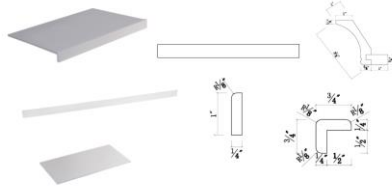


ACCESSORY For Kitchen Cabinet

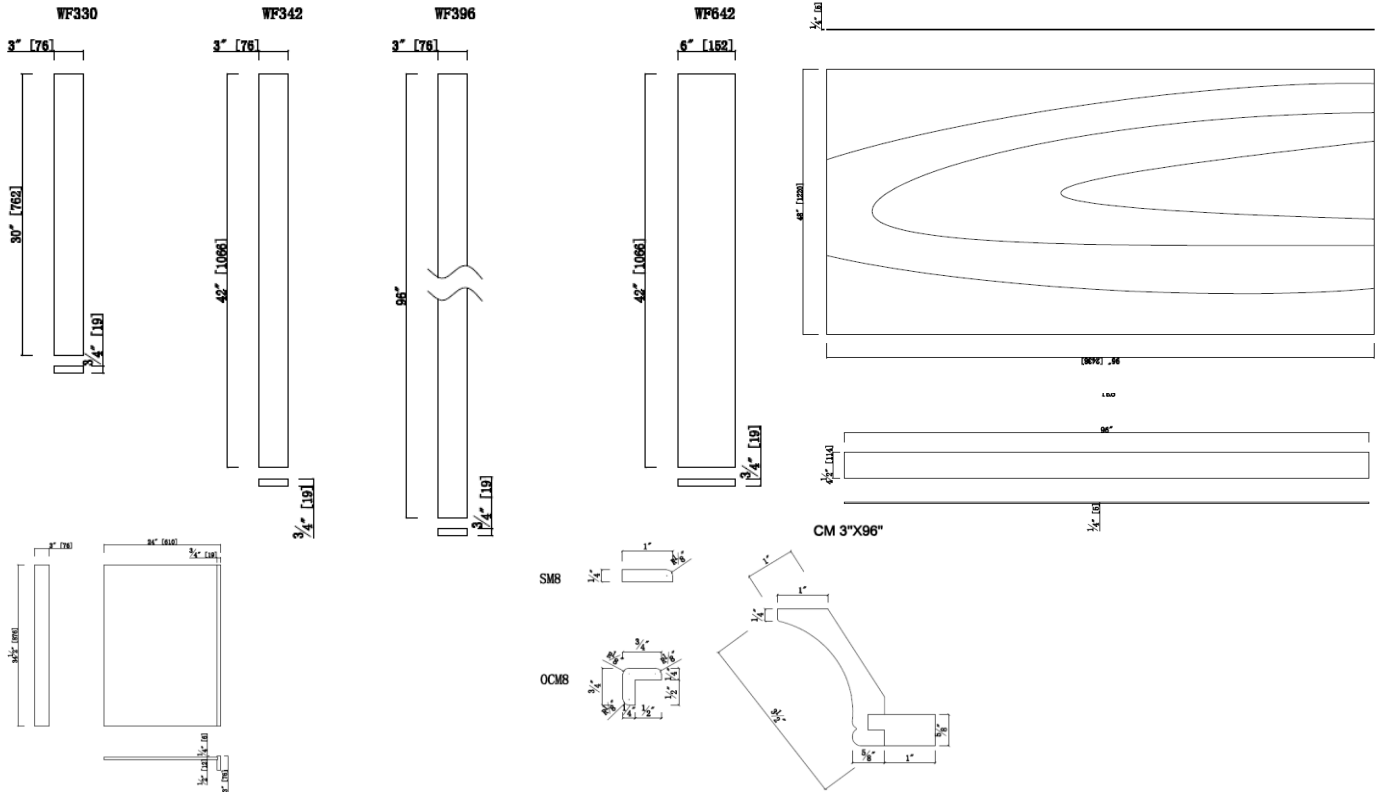


Specifications

Solid Wood
CARB P2 compliant



Dimensions



Warranty & Compliances

Warranty Limited 1 year warranty
California 93120 Compliant



Order Codes & Finishes/Colors

Finish	DH#
Espresso Finish	
Dishwasher end panel	562389
3"x30" Filler	562405
3"x42" Filler	562413
3"x96" Filler	562421
6"x42" Filler	562439
Toe Kick Skin	562447
48"x96" finished Panel	562397
Scribe Molding	562454
Crown Molding	562462
Outside Corner Molding	562470
White Finish	
Dishwasher end panel	561795
3"x30" Filler	561811
3"x42" Filler	561829
3"x96" Filler	561845
6"x42" Filler	561852
Toe Kick Skin	561860
48"x96" finished Panel	561803
Scribe Molding	561855
Crown Molding	561856
Outside Corner Molding	561857

Type:

Job:

Order Code:

Approvals:

Design House reserves the right to make changes in materials, specifications & models at any time. Design House also reserves the right to discontinue product without notice or obligation.