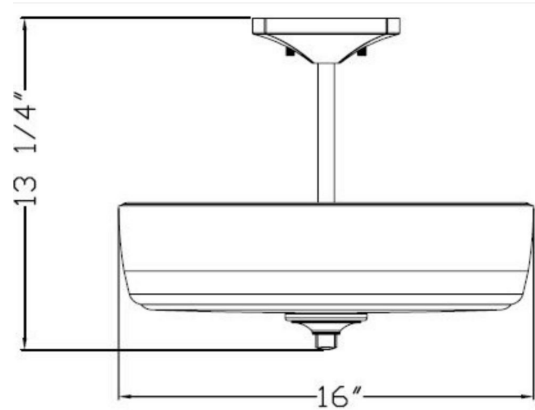


# Perth 3-Light Semi-Flush Mount Ceiling Light

Satin Nickel



## SPECIFICATIONS

<b>MOUNTING:</b>	Semi Flush Mount	<b>LED BRIGHTNESS (LUMENS):</b>	N/A
<b>SLOPED CEILING ADAPTABLE:</b>	No	<b>LED COLOR CORRELATED TEMPERATURE (CCT):</b>	N/A
<b>LAMP TYPE 1:</b>	3 lamps 60W Incandescent	<b>LED COLOR RENDERING INDEX (CRI):</b>	N/A
<b>BULB INCLUDED:</b>	No	<b>LED EFFICACY:</b>	N/A
<b>WATTS PER BULB:</b>	60W	<b>LED AVERAGE RATED LIFE:</b>	N/A
<b>TOTAL WATTAGE:</b>	180W	<b>ENERGY EFFICIENT:</b>	No
<b>DIMMABLE:</b>	Yes	<b>LIGHTING AMPS:</b>	0.5
<b>MATERIAL CONSTRUCTION:</b>	Steel	<b>VOLTAGE:</b>	120V
<b>ASSEMBLED DIMENSIONS:</b>	13.25" H x 16" L x 16" D		
<b>WEIGHT:</b>	6.82 lbs.		
<b>BACKPLATE DIMENSIONS:</b>	N/A		
<b>CANOPY/PLATE DIMENSIONS:</b>	1.75" H x 5.5" D		
<b>GLASS/SHADE DIMENSIONS:</b>	4.5" H x 15.5" D		
<b>GLASS/SHADE MATERIAL:</b>	Glass		
<b>GLASS/SHADE TYPE:</b>	Frosted		
<b>GLASS/SHADE COLOR:</b>	N/A		

<b>WARRANTY:</b>	10-Year limited warranty
<b>UL/ETL CERTIFICATION:</b>	UL
<b>WET/DRY/DAMP LISTING:</b>	Dry
<b>ADA COMPLIANT:</b>	No
<b>ENERGY STAR CERTIFIED:</b>	No



TYPE:  
JOB:  
ORDER CODE:  
APPROVALS: