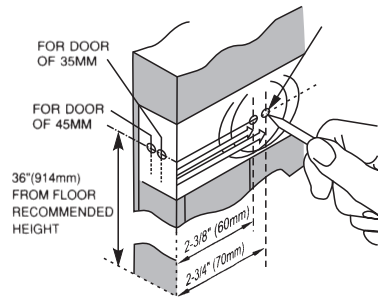


INSTRUCTION FOR INSTALLING LOCKSET

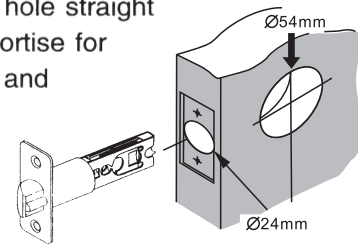
1. MARK DOOR



Place template on outside of door with height center line 36" from floor. Mark both holes as shown.

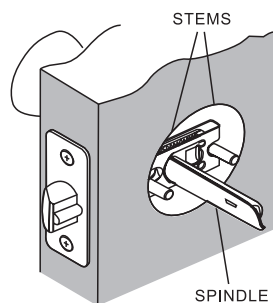
2. DRILL TWO HOLES

Drill a 2-1/8" (54mm) hole through face of door. Drill 1" (25mm) hole straight into edge of door. Mortise for latch face until flush and install latch bolt.



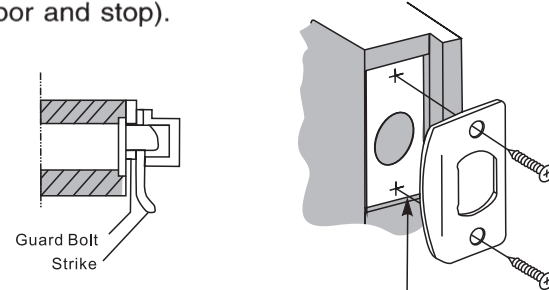
4. INSTALL OUTSIDE KNOB

Insert outside knob with spindle into latch, making certain that stems are positioned correctly through latch hole. Press flush against door. For easier insertion of spindle, depress latchbolt.



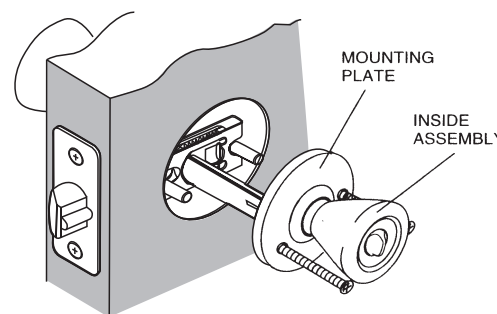
3. INSTALL STRIKE ON DOOR JAMB

Transfer the vertical center line and the height line to the jamb. Drill 1-1/16" (27mm) hole 7/8" (22mm) deep. Cut out jamb until flush and install strike, setting the screw hole on the center line. (Adjustable permits bending in or out to eliminate excessive looseness between door and stop).



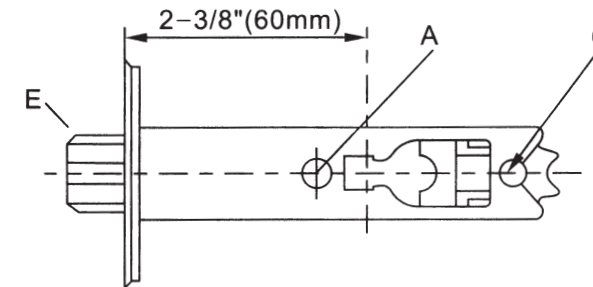
5. INSTALL INSIDE ASSEMBLY

Slip inside assembly over spindle and locking bar (Turnbutton must be in horizontal position to receive locking bar.) Insert screws through mounting plate and tighten evenly until snugly secured.



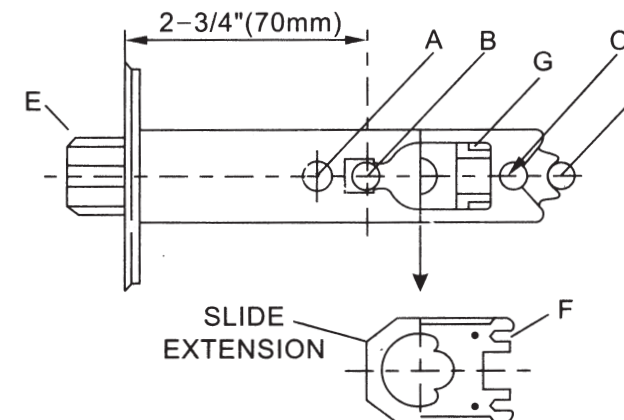
INSTRUCTIONS FOR HOW TO USE THE ADJUSTABLE LATCH

- The latch is factory preset at 2-3/8" (60mm) backset, which is standard for most doors.
- To use the 2-3/8" (60mm) backset, no adjustment is required, simply insert the screw stems on the outside knobs thru holes (A) & (C) of the latch, proceed to step 4 of the instructions for installing lockset.



FOR 2-3/4" (70mm) BACKSET INSTALLATION

- Push in front of latch (E) and hold it.
- Use a screwdriver to push the black insert slide extension up or down from inside the latch. For best results, while keeping the latch depressed, push down on the top front (closest to E) of the extension slide, while at the same time releasing the latch.
- Latch is ready for installation.
- When using the 2-3/4" backset, lockset screw stems are inserted through hole (B) of the latch and against the outside of location (D) on the latch. proceed to step 4 of the instructions for installing lockset.



Note: To reverse the adjustment from 2-3/4" (70mm) to 2-3/8" (60mm):

- Depress latch (E)
- Catch the open slot on the rear of the extension piece (F) on the notch (G) inside the latch.
- Lower extension piece into latch while at the same time releasing the latch. Proceed to step 4 of the instructions for installing lockset.

