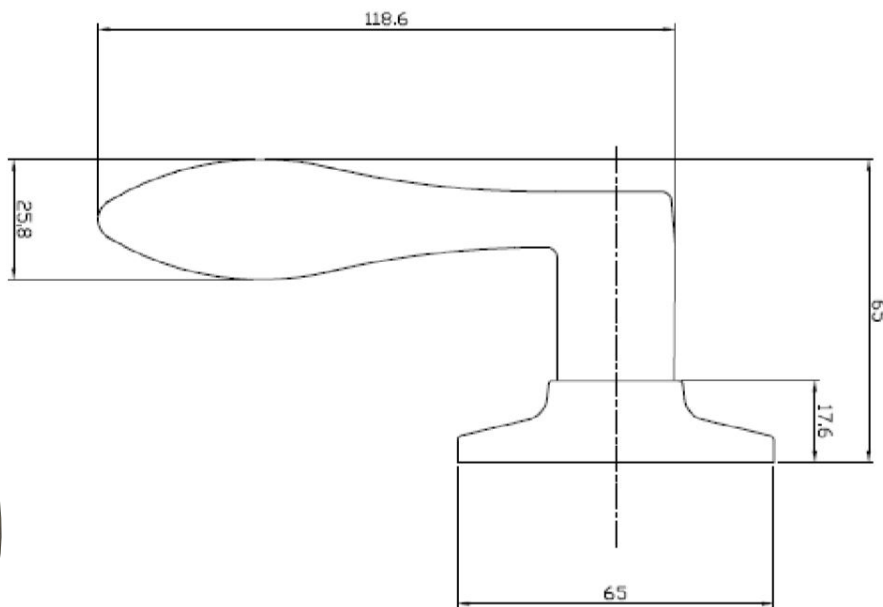


### Stratford Dummy Door Knob Satin Nickel



## SPECIFICATIONS

MATERIAL CONSTRUCTION:	Zinc	KEYWAY:	N/A
LOCK FUNCTION:	Dummy	REMOVABLE CORE:	No
DEADBOLT FUNCTION:	N/A	LATCH FACEPLATE I:	N/A
EXTERIOR MAX PROJECTION:	2.36"	LATCH BACKSET:	N/A
INTERIOR MAX PROJECTION:	2.36"	LATCH TYPE:	N/A
KOB VS. LEVER:	Lever	LATCHBOLT THROW DISTANCE:	N/A
KNOB DIMENSIONS:	N/A	# PINS IN CYLINDER:	N/A
LEVER LENGTH:	4.65"	ANTI-BUMP PIN INSTALLED:	N/A
ROSE DIMENSIONS:	2.56" H x 2.56" W x 2.56" D	# KEYS INCLUDED:	N/A
ROSETTE / ESCUTCHEON SHAPE:	Round	SPINDLE TYPE:	N/A
CROSS BORE:	2.13"	MOUNTING HARDWARE INCLUDED:	Yes
EDGE BORE:	1"	TOOLS NEEDED FOR INSTALLATION:	Phillips Screwdriver
HANDING:	Right	ASSEMBLED WEIGHT:	0.44 lbs.
REKEYABLE?:	No		

WARRANTY:	5-Year limited warranty
ANSI CERTIFICATION:	N/A
BHMA GRADE:	N/A
FIRE RATED:	No
ADA COMPLIANT:	No



TYPE:
JOB:
ORDER CODE:
APPROVALS: