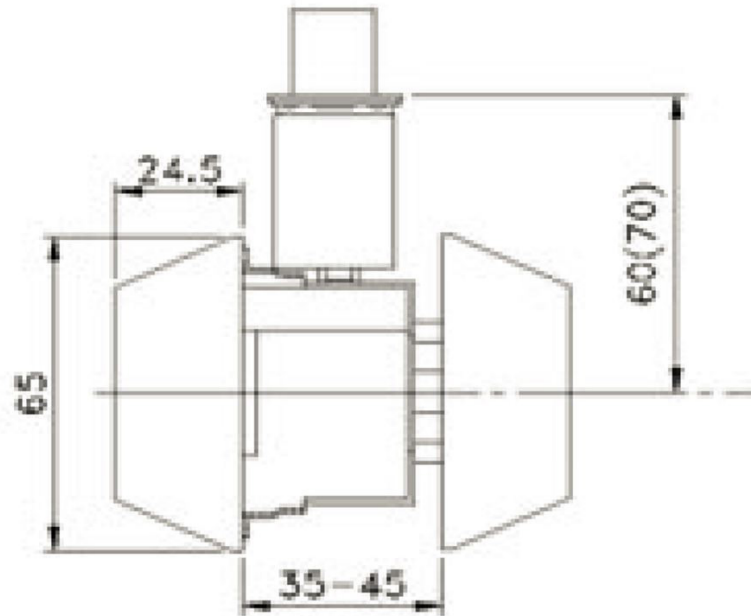
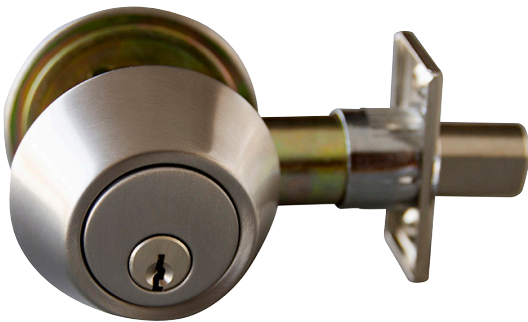


### Double Cylinder Deadbolt Satin Nickel



## SPECIFICATIONS

<b>MATERIAL CONSTRUCTION:</b>	Zinc	<b>KEYWAY:</b>	KW
<b>LOCK FUNCTION:</b>	Deadbolt	<b>REMOVABLE CORE:</b>	No
<b>DEADBOLT FUNCTION:</b>	Double Cylinder	<b>LATCH FACEPLATE I:</b>	Universal (Drive In)
<b>EXTERIOR MAX PROJECTION:</b>	1.06"	<b>LATCH BACKSET:</b>	Adj; 2-3/8" - 2-3/4"
<b>INTERIOR MAX PROJECTION:</b>	1.06"	<b>LATCH TYPE:</b>	6 Way / Universal / Drive-in
<b>KOB VS. LEVER:</b>	N/A	<b>LATCHBOLT THROW DISTANCE:</b>	1"
<b>KNOB DIMENSIONS:</b>	N/A	<b># PINS IN CYLINDER:</b>	5
<b>LEVER LENGTH:</b>	N/A	<b>ANTI-BUMP PIN INSTALLED:</b>	Yes
<b>ROSE DIMENSIONS:</b>	2.56" H x 2.56" W x 2.56" D	<b># KEYS INCLUDED:</b>	2
<b>ROSETTE / ESCUTCHEON SHAPE:</b>	Round	<b>SPINDLE TYPE:</b>	Deadbolt
<b>CROSS BORE:</b>	2.13"	<b>MOUNTING HARDWARE INCLUDED:</b>	Yes
<b>EDGE BORE:</b>	1"	<b>TOOLS NEEDED FOR INSTALLATION:</b>	Phillips Screwdriver
<b>HANDING:</b>	Reversible	<b>ASSEMBLED WEIGHT:</b>	1.02 lbs.
<b>REKEYABLE?:</b>	Yes		

<b>WARRANTY:</b>	5-Year limited warranty
<b>ANSI CERTIFICATION:</b>	Grade 3
<b>BHMA GRADE:</b>	3
<b>FIRE RATED:</b>	No
<b>ADA COMPLIANT:</b>	No



TYPE:
JOB:
ORDER CODE:
APPROVALS: