

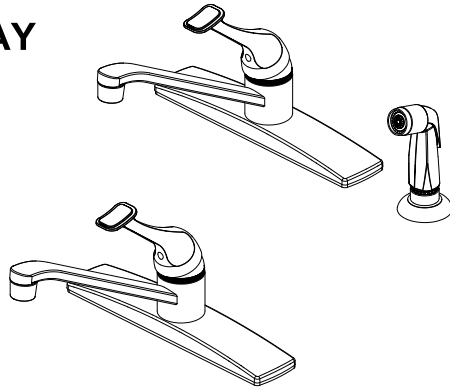


Design House is a registered brand of DHI Corp.

Mequon, WI 53092  
1-800-558-8700

## MILLBRIDGE SINGLE HANDLE KITCHEN FAUCET WITH SIDE SPRAY

Models 546010, 546002



Your new Design House faucet will give you years of trouble free performance. Thank you for choosing our product for your home. **Please read all of these instructions carefully before installing your new faucet.**

### Helpful tools to install this faucet:

- basin wrench
- Teflon tape
- (2) crescent wrenches
- silicon sealer
- flashlight
- faucet supply tubes

### IMPORTANT POINTS

- When installing your new faucet, hand tighten the connector nuts, then use one wrench to anchor the fitting and a second wrench to tighten the nut one additional turn. Connections that are too tight will reduce the integrity of the system.
- Wrap threaded connections (except aerator thread in spout or where o-ring or rubber sealant are present) with Teflon tape available from your local hardware or plumbing supply store. Always wrap in a clockwise direction.

### SAFETY TIPS

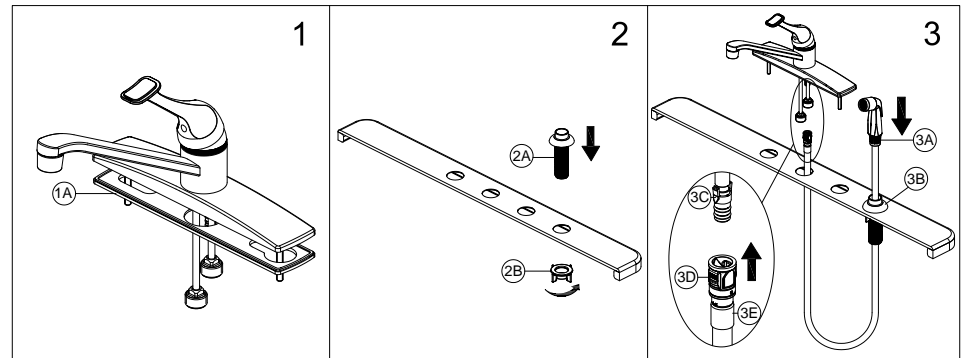
- **ALWAYS** protect your eyes with safety glasses.

## INSTALLATION PROCEDURE

1. Shut off water supplies. Remove the old faucet. Place the gasket (1A) on the bottom of the new faucet assembly. If your model has a side sprayer, proceed to step 2. If your model does not have a side sprayer, skip to step 4.

2. Insert the sprayer support (2A) through the far right hole on the sink. Screw the sprayer mounting nut (2B) onto the sprayer support (2A) shank from underneath the sink, and hand tighten.

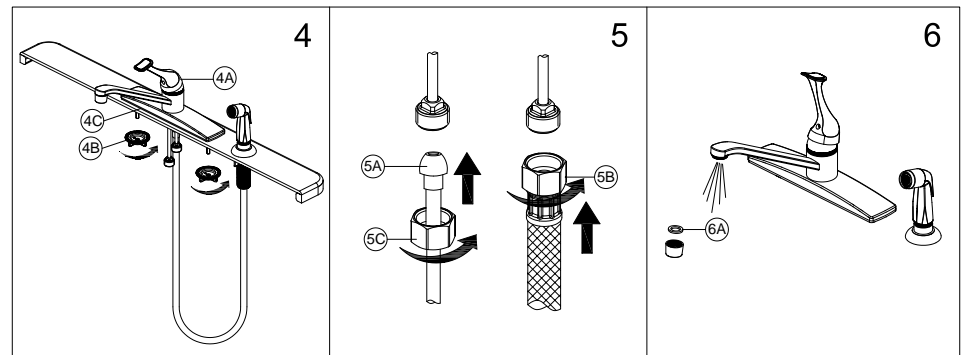
3. Insert the side sprayer (3A) hose down through the sprayer support (3B) and sink. Align the tabs (3C & 3D) on the quick connects (3E). Push the quick connector housing firmly upward and snap it onto the receiving tube tab. Pull down moderately to ensure the connection has been made. If it is necessary to remove the quick connector, squeeze the tabs on the hose, and pull down to disconnect.



4. Place the faucet assembly (4A) in position on the sink. Secure the faucet assembly to the sink using the mounting nuts (4B) provided. Hand tighten only. NOTE: If the sink is uneven, use silicone under the gasket (4C).

5. Making the waterline connections: Use 1/2 in. I.P.S. faucet connections (5B, not included), or use the supplied coupling nuts (5C) with a 3/8 in. O.D. ball-nose riser (5A, not included). Before tightening the faucet connector to the water supply, apply a second wrench to the supply tube fitting. This will prevent the supply tube from moving or twisting when tightening the faucet connector. Do not overtighten.

6. IMPORTANT: After installation is complete, remove the aerator to flush the water lines. Do not lose the gasket (6A) in the aerator. Turn on the water supply and allow both hot and cold water to run for at least one minute each. This flushes away any debris that could cause damage to internal parts. While the water is running, check for leaks. Turn off the water and replace the aerator.



## TROUBLE SHOOTING

- o 546010 - Polished Chrome (with Side Spray)
- o 546002 - Polished Chrome

**Problem:** Faucet leaks from under handle.

**Cause:** Adjusting ring or cap assembly has loosened.

**Action:**

1. Move the handle to OFF position. Unscrew the set screw and remove the handle.
2. Tighten the adjusting ring by turning it clockwise with a small screwdriver. Move the ball stem to the on position and continually tighten the adjusting ring until the leak stops draining out from around the ball stem.
3. If the leak does not stop, loosen the adjusting ring and tighten the entire cap assembly by turning it clockwise. Re-tighten the adjusting ring as before.
4. Reinstall the handle.

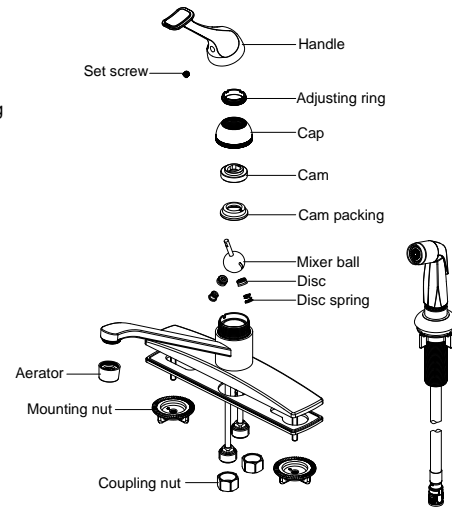
Many of these parts come preassembled. This exploded diagram is to assist in trouble shooting.

**Problem:** Faucet leaks around aerator or an improper flow pattern.

**Cause:** Aerator is incorrectly fitted or is dirty.

**Action:**

1. Unscrew the aerator. Make sure all internal parts are laying flat.
2. If there is debris, gently flush all parts inside.
3. Reinstall the aerator.



## MAINTENANCE

Your new Design House faucet is designed to give you years of trouble free performance. Avoid abrasive cleaners, steel wool and harsh chemicals that will dull the finish and void your warranty.

Brass finishes are polished, then protected with a lacquer coating to help prevent tarnishing. Clean these surfaces only with a damp, soft cloth.

Keep it looking like new by cleaning it periodically with a mild solution of soapy water. Rinse thoroughly and then dry with a soft cloth.

### CONSUMER PROTECTION WARNING

Under the Safe Drinking Water Act, the U.S. Environmental Protection Agency restricts the amount of lead used in brass and solder. Your new faucet is made in strict compliance with all government standards. The materials used in the manufacture of this faucet are of industry standard quality and are similar to other plumbing products having brass fittings.

To reduce the amount of lead in your drinking water, allow the water to run for a moment before filling your glass and remember to always use cold water for drinking purposes.