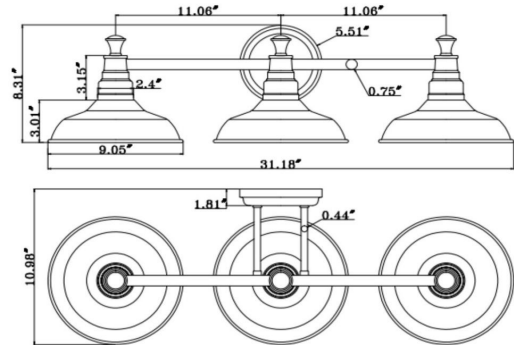


Kimball 3-Light Bathroom Vanity Light

Coffee Bronze



SPECIFICATIONS

| | | | |
|---------------------------|------------------------------|-----------------------------------------|------|
| MOUNTING: | Wall Mount | LED BRIGHTNESS (LUMENS): | N/A |
| SLOPED CEILING ADAPTABLE: | No | LED COLOR CORRELATED TEMPERATURE (CCT): | N/A |
| LAMP TYPE 1: | 3 lamps 60W Incandescent | LED COLOR RENDERING INDEX (CRI): | N/A |
| BULB INCLUDED: | N/A | LED EFFICACY: | N/A |
| WATTS PER BULB: | 60W | LED AVERAGE RATED LIFE: | N/A |
| TOTAL WATTAGE: | 180W | ENERGY EFFICIENT: | No |
| DIMMABLE: | Yes | LIGHTING AMPS: | N/A |
| MATERIAL CONSTRUCTION: | Steel | VOLTAGE: | 120V |
| ASSEMBLED DIMENSIONS: | 8.31" H x 31.18" L x 9.05" D | | |
| WEIGHT: | 4.40 lbs. | | |
| BACKPLATE DIMENSIONS: | 1.18" H x 5.51" W | | |
| CANOPY/PLATE DIMENSIONS: | N/A | | |
| GLASS/SHADE DIMENSIONS: | 3" H x 9" L x 9" D | | |
| GLASS/SHADE MATERIAL: | Steel | | |
| GLASS/SHADE TYPE: | N/A | | |
| GLASS/SHADE COLOR: | Textured Coffee Bronze | | |

| | |
|------------------------|--------------------------|
| WARRANTY: | 10-Year limited warranty |
| UL/ETL CERTIFICATION: | ETL |
| WET/DRY/DAMP LISTING: | Damp |
| ADA COMPLIANT: | No |
| ENERGY STAR CERTIFIED: | No |



TYPE:
JOB:
ORDER CODE:
APPROVALS: