

Submitted Model No.: _____
 Specific Features: _____



see what Delta can do™

PERSONAL HAND HELD SHOWERS

■ Touch-Clean® Nozzles

STANDARD SPECIFICATIONS:

- Maximum 2.5 gpm @ 80 psi, 9.5 L/min @ 550 kPa (57014 only)
- Maximum 1.75 gpm @ 80 psi, 6.6 L/min @ 550 kPa
- Hand held shower with one or three spray settings
- 60"-82" stretchable metal hose
- Certified dual check valves for backflow protection
- 24" (610 mm) wall bar with adjustable slide (allows for adjustable shower height) - 57014, 57021, 57051 and 57085 only. Not to be used as a Grab Bar. Not ADA compliant
- Wall mount bracket - 55013, 55020, 55021, 55051 and 55085 only

WARRANTY

- Lifetime limited warranty on parts (other than electronic parts and batteries) and finishes: or, for commercial users, for 5 years from date of purchase.
- 5 year limited warranty on electronic parts (other than batteries); or, for commercial users, for 1 year from the date of purchase. No warranty is provided on batteries.

COMPLIES WITH:

- ASME A112.18.1/CSA B125.1 ♦
- EPA WaterSense®

<p>57014▲ 2.5 GPM</p> <p>Accepts 1/2" - 14 NPSM Male</p>	<p>57021▲ 1.75 GPM</p> <p>Accepts 1/2" - 14 NPSM Male</p>	<p>57051▲ 1.75 GPM</p> <p>Accepts 1/2" - 14 NPSM Male</p>
<p>57085▲ 1.75 GPM</p> <p>Accepts 1/2" - 14 NPSM Male</p>	<p>55013▲ 1.75 GPM</p> <p>Accepts 1/2" - 14 NPSM Male</p>	<p>55020▲ 1.75 GPM</p> <p>Accepts 1/2" - 14 NPSM Male</p>
<p>55021▲ 1.75 GPM</p> <p>Accepts 1/2" - 14 NPSM Male</p>	<p>55051▲ 1.75 GPM</p> <p>Accepts 1/2" - 14 NPSM Male</p>	<p>55085▲ 1.75 GPM</p> <p>Accepts 1/2" - 14 NPSM Male</p>

▲ Designate proper finish suffix

◆ Your Delta Faucet handshower incorporates a backflow protection system that has been tested to be in compliance with ASME A112.18.3 and ASME A112.18.1/CSA B125.1. It incorporates two certified check valves in series, which operate independently and are integral, non-serviceable parts of the wand assembly.

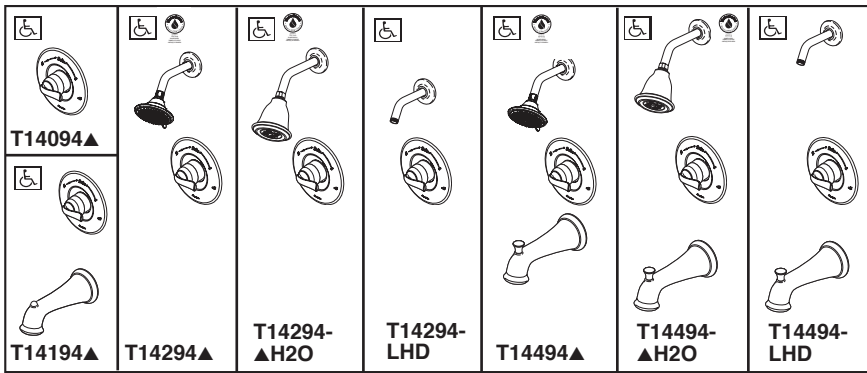
Delta reserves the right (1) to make changes in specifications and materials, and (2) to change or discontinue models, both without notice or obligation. Dimensions are for reference only. See current full-line price book or www.deltafaucet.com for finish options and product availability.

Delta Faucet Company
 55 E. 111th Street, Indianapolis, IN 46280
 350 South Edgeware Road, St. Thomas, ON N5P 4L1
 © 2017 Delta Faucet Company



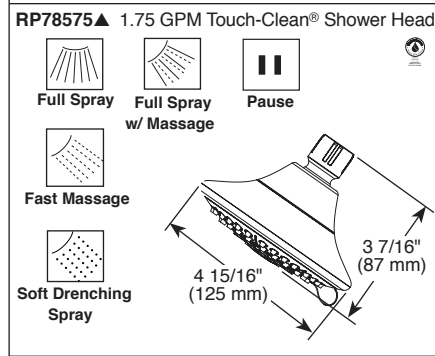
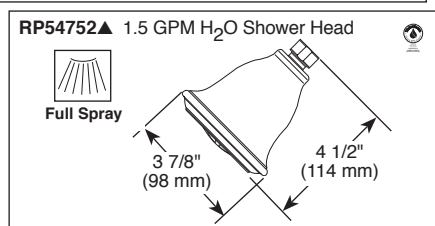
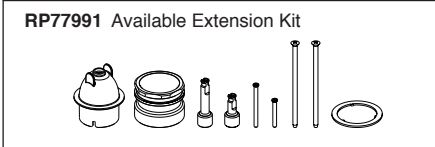
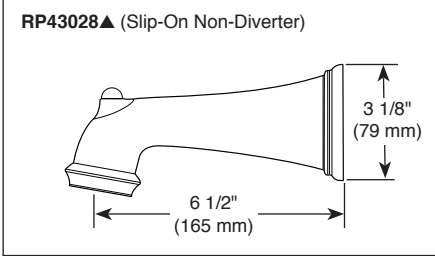
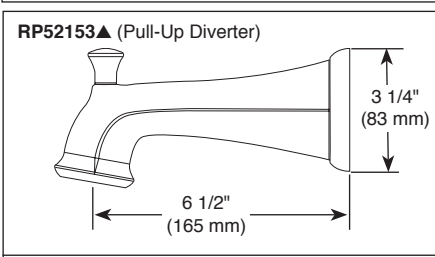
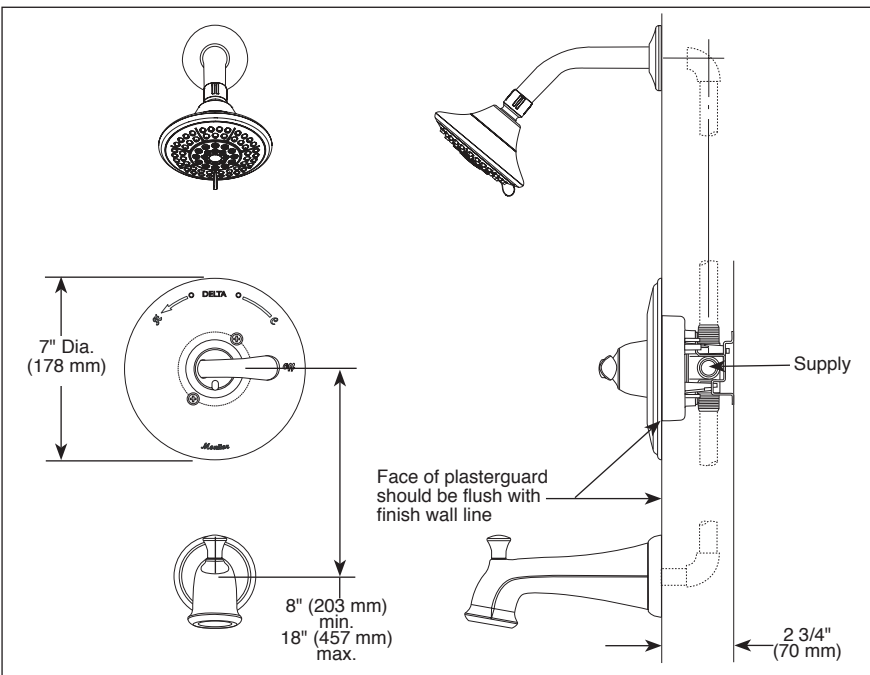
see what Delta can do™

TUB AND SHOWER FAUCET TRIM



Submitted Model No.: _____

Specific Features: _____



- Linden™ Bath Collection
- Valve Only (T14094)
- Tub Only (T14194)
- Shower Only (T14294 & T14294-H2O)
- Tub/Shower (T14494 & T14494-H2O)

FEATURES:

- Monitor® 14 Series pressure balanced bath single handle mixing valve trim
- "-H2O" models include H₂O Kinetic® Technology shower head

STANDARD SPECIFICATIONS:

- Maintains a balanced pressure of hot and cold water even when a valve is turned on or off elsewhere in the system
- For use with MultiChoice® Universal rough valve body (R10000 Series)
- Back-to-back installation capability
- Solid brass forged body
- Temperature only controlled with handle
- Field adjustable to limit handle rotation into hot water zone
- 120° maximum handle rotation
- All parts replaceable from the front of the valve
- 1.75 gpm @ 80 psi; 1.5 gpm @ 80 psi for product marked -H2O
- Tub port maximum flow rate 6.0 gpm @ 60 psi with R10000-UNBX
- Shower arm overall horizontal length = 5 1/2" (138 mm), including threaded ends
- "-LHD" models have pad printed red/blue temperature indication less shower head
- Stem extension kit RP77991 can be ordered to allow for an additional 1 3/4" wall thickness. RP77991 ships with chrome escutcheon screws. For special finishes also order RP12630 escutcheon screws in desired finish.

WARRANTY

- Parts and Finish - Lifetime limited warranty; or for commercial purchasers, 10 years for multi-family residential (apartments and condominiums) and 5 years for all other commercial uses, in each case from the date of purchase.
- Electronic Parts and Batteries (if applicable) - 5 years from the date of purchase; or for commercial purchasers, 1 year from the date of purchase. No warranty is provided on batteries.

COMPLIES WITH:

- ASME A112.18.1 / CSA B125.1
- ASSE 1016
- Indicates compliance to ICC/ANSI A117.1 - Valve control only
- EPA WaterSense®

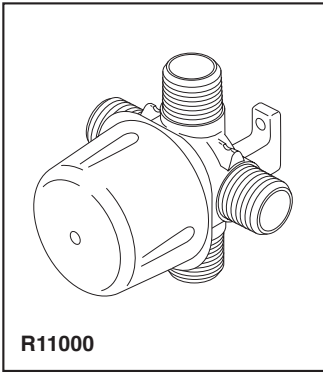
▲ Designate Proper Finish Suffix

Delta reserves the right (1) to make changes in specifications and materials, and (2) to change or discontinue models, both without notice or obligation. Dimensions are for reference only. See current full-line price book or www.deltafaucet.com for finish options and product availability.

DSP-B-T14094 Rev. H

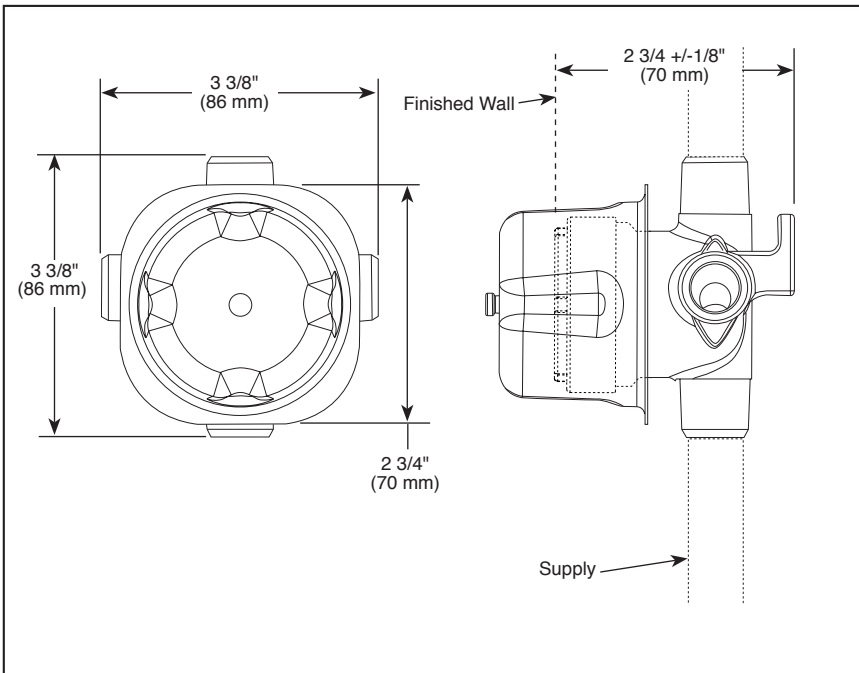
Delta Faucet Company

55 E 111th Street, Indianapolis, Indiana 46280
350 South Edgeware Road, St. Thomas, ON N5P 4L1
© 2018 Delta Faucet Company

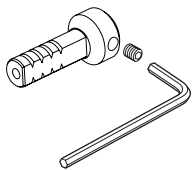


Submitted Model No.: _____

Specific Features: _____



RP75137 Available Extension Kit



see what Delta can do™

ROUGH VALVE BODY

- R11000 (Case Qty. 3)
- 1/2" Rough-In

STANDARD SPECIFICATIONS

- Three port diverter rough
- For use with (3) three or (6) six function diverter.
- Forged brass body
- Can be tested with air (200 psi) or water (300 psi) using supplied test cap
- Refer to the installation instructions for more details

WARRANTY

- Lifetime limited warranty on parts (other than electronic parts and batteries) and finishes: or, for commercial users, for 5 years from date of purchase.
- 5 year limited warranty on electronic parts (other than batteries); or, for commercial users, for 1 year from the date of purchase. No warranty is provided on batteries.

COMPLIES WITH:

- ASME A112.18.1 / CSA B125.1

Delta reserves the right (1) to make changes in specifications and materials, and (2) to change or discontinue models, both without notice or obligation. Dimensions are for reference only. See current full-line price book or www.deltafaucet.com for finish options and product availability.

DSP-B-R11000 Rev. F

Delta Faucet Company

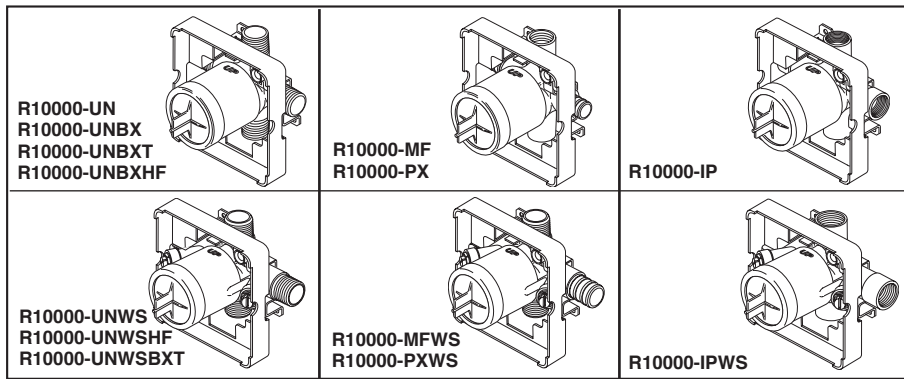
55 E. 111th Street, Indianapolis, IN 46280
 350 South Edgeware Road, St. Thomas, ON N5P 4L1
 © 2018 Delta Faucet Company



see what Delta can do™

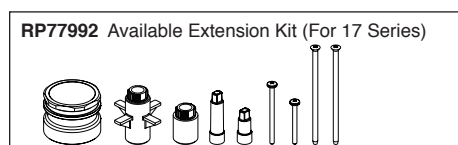
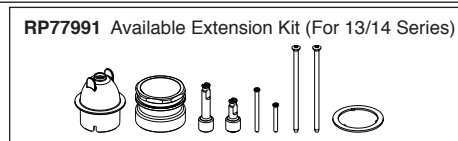
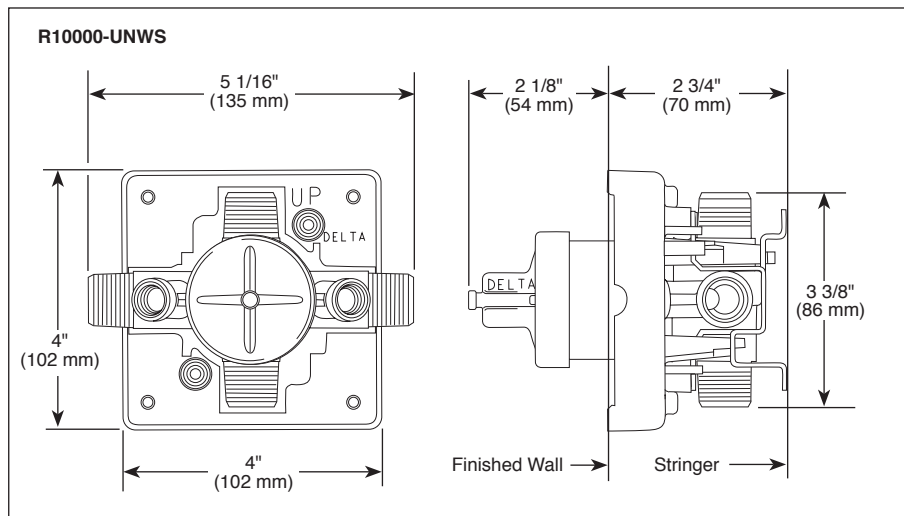
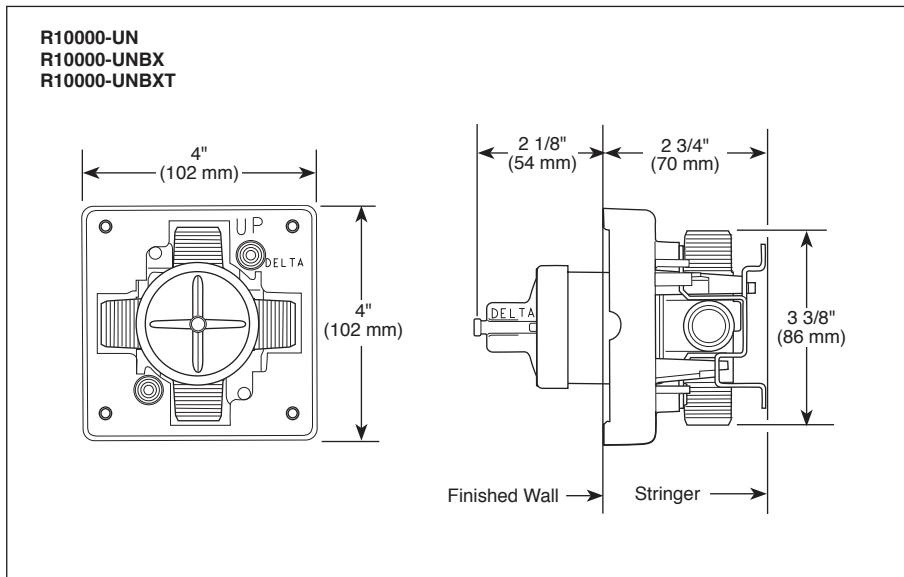
MULTICHOICE® UNIVERSAL ROUGH VALVE BODY

- R10000-UN (Universal Inlets/Outlets)
- R10000-UNBX (Universal Single Box Model)
- R10000-UNBXHF (High Flow Shower Only)
- R10000-UNBXT (Thin Wall)
- R10000-UNWS (Universal with Stops)
- R10000-UNWSHF (High Flow with Stops)
- R10000-UNWSBXT (Thin Wall with Stops)
- R10000-PX (Pex Crimp Connections with UN Outlets)
- R10000-PXWS (Pex Crimp Connections with Stop with UN Outlets)
- R10000-IP (IPS Inlets/Outlets)
- R10000-IPWS (IPS with Stops)
- R10000-MF (Pex Cold Expansion Connections with UN Outlets)
- R10000-MFWS (Pex Cold Expansion with Stops with UN Outlets)



Submitted Model No.: _____

Specific Features: _____



STANDARD SPECIFICATIONS:

- Forged brass body.
 - Back-to-Back installation capabilities.
 - Can be tested with air (200 PSI) or water (300 PSI) without valve using supplied test cap.
 - Square plasterguard allows for right angle cuts.
 - Thin wall mounting.
 - For use with MultiChoice® Universal single or dual function trim. Cartridge ships with trim.
 - 1/2" outlets and connections.
- Note: No tub outlet in HF model.
- Note: Should use proper fitting with each type (copper tubing, iron pipe, and pex fitting).
- Note: Should use proper tooling with crimping pex fitting and cold expansion pex models.
- Note: IP indicates female 1/2" threaded connections.
- Note: UN indicates Universal type fitting and is 1/2" NPT male thread with 1/2" C.W.T. female sweat.

WARRANTY

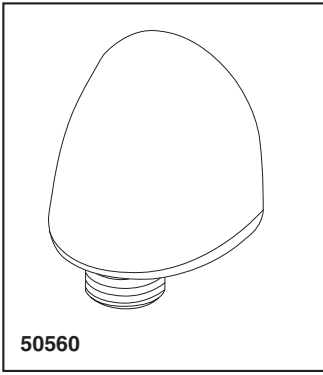
- Lifetime limited warranty on parts (other than electronic parts and batteries) and finishes: or, for commercial users, for 5 years from date of purchase.
- 5 year limited warranty on electronic parts (other than batteries); or, for commercial users, for 1 year from the date of purchase. No warranty is provided on batteries.

COMPLIES WITH:

- ASME A112.18.1 / CSA B125.1

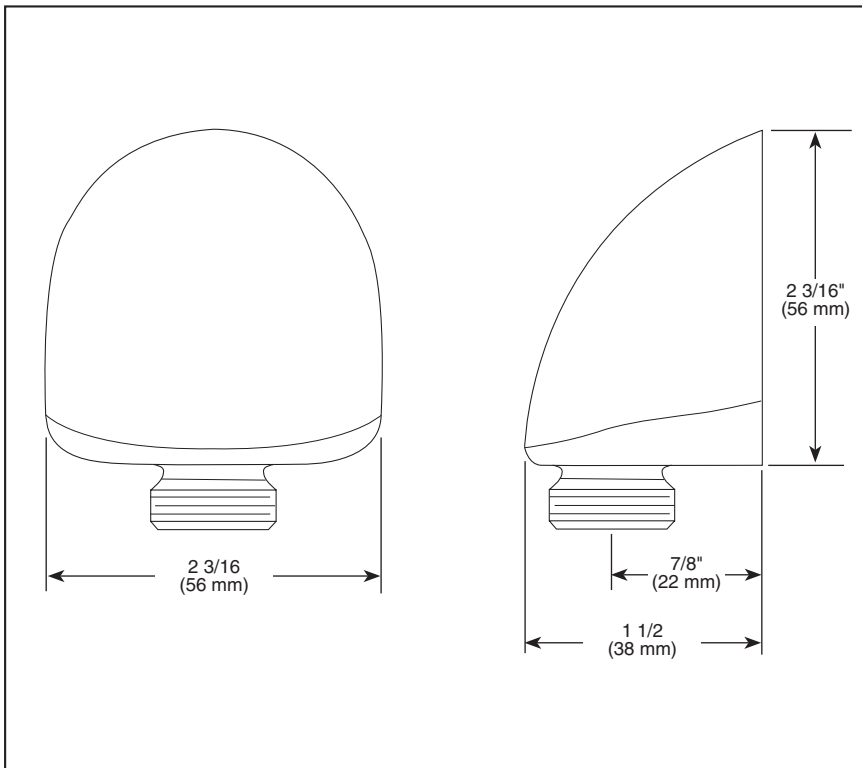
Delta Faucet Company
55 E. 111th Street, Indianapolis, IN 46280
350 South Edgeware Road, St. Thomas, ON N5P 4L1
© 2017 Delta Faucet Company

Delta reserves the right (1) to make changes in specifications and materials, and (2) to change or discontinue models, both without notice or obligation. Dimensions are for reference only. See current full-line price book or www.deltafaucet.com for finish options and product availability.



Submitted Model No.: _____

Specific Features: _____



ELBOW

STANDARD SPECIFICATIONS

- Solid brass construction.
- 1/2" female NPT inlet.
- 1/2" male NPSM outlet for connecting to shower hoses.

WARRANTY

- Lifetime Faucet and Finish Limited Warranty to the original consumer purchaser to be free from defects in material and workmanship.
- 5 Year Limited Warranty for usage in all industrial, commercial and business applications.

COMPLIES WITH:

- ASME A112.18.1 / CSA B125.1

Delta reserves the right (1) to make changes in specifications and materials, and (2) to change or discontinue models, both without notice or obligation. Dimensions are for reference only. See current full-line price book or www.specselect.com for finish options and product availability.

DSP-B-50560 Rev. A



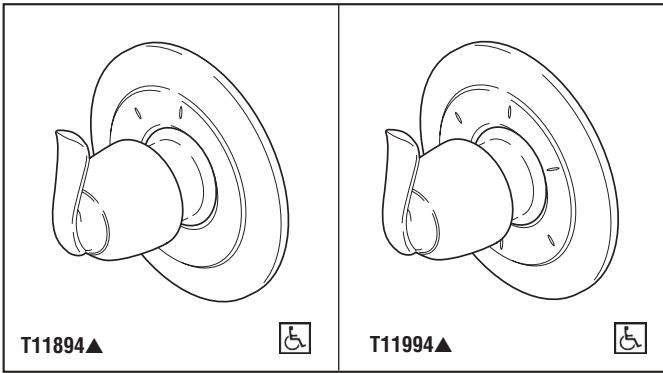
55 E. 111th Street, Indianapolis, Indiana 46280
350 South Edgeware Road, St. Thomas, ON N5P 4L1
© 2012 Masco Corporation of Indiana



see what Delta can do™

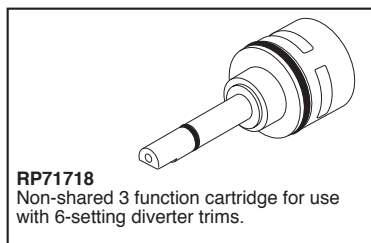
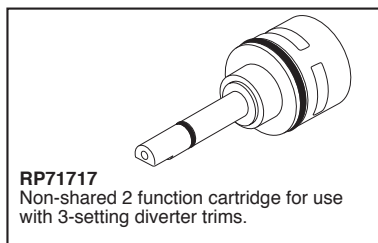
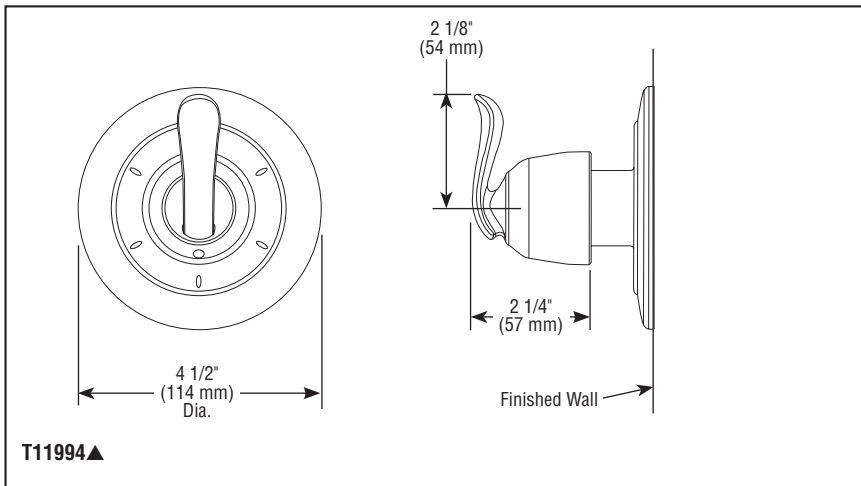
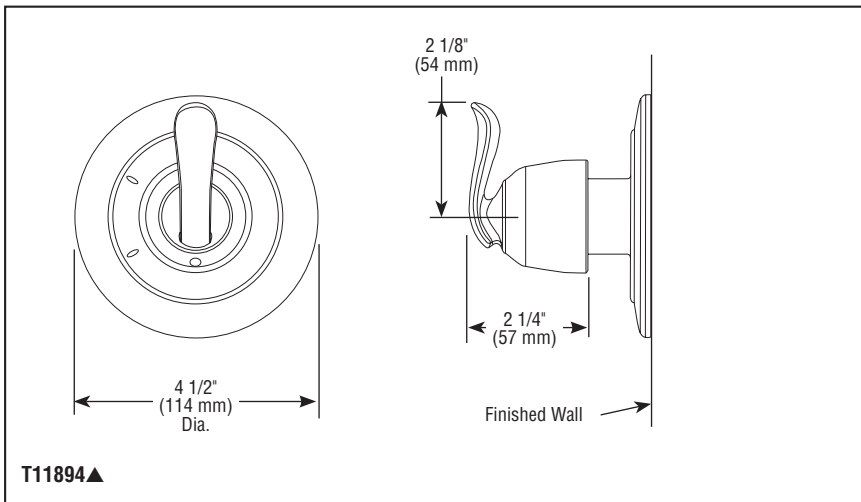
CUSTOM SHOWER DIVERTER

- Linden™ Collection
- Three Function Diverter Trim (T11894)
- Six Function Diverter Trim (T11994)
- Coordinates With All Delta Linden™ Styled Bath Suites



Submitted Model No.: _____

Specific Features: _____



STANDARD SPECIFICATIONS

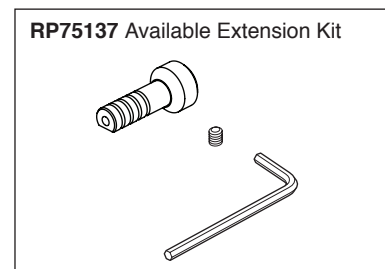
- Three function diverter. 2 individual positions, 1 shared position.
- Six function diverter. 3 individual positions, 3 shared positions.
- Must also order R11000 rough-in.
- Two individual positions, no shared positions, order cartridge RP71717.
- Three individual positions, no shared positions, order cartridge RP71718.
- Installation extension kit order RP75137, adds 1" to maximum installation thickness.

WARRANTY

- Lifetime limited warranty on parts (other than electronic parts and batteries) and finishes: or, for commercial users, for 5 years from date of purchase.
- 5 year limited warranty on electronic parts (other than batteries); or, for commercial users, for 1 year from the date of purchase. No warranty is provided on batteries.

COMPLIES WITH:

- ASME A112.18.1 / CSA B125.1
- ♿ Indicates compliance to ICC/ANSI A117.1



▲ Designate proper finish suffix

Delta reserves the right (1) to make changes in specifications and materials, and (2) to change or discontinue models, both without notice or obligation. Dimensions are for reference only. See current full-line price book or www.deltafaucet.com for finish options and product availability.

DSP-B-T11894 Rev. E

Delta Faucet Company

55 E. 111th Street, Indianapolis, IN 46280
350 South Edgeware Road, St. Thomas, ON N5P 4L1
© 2018 Delta Faucet Company