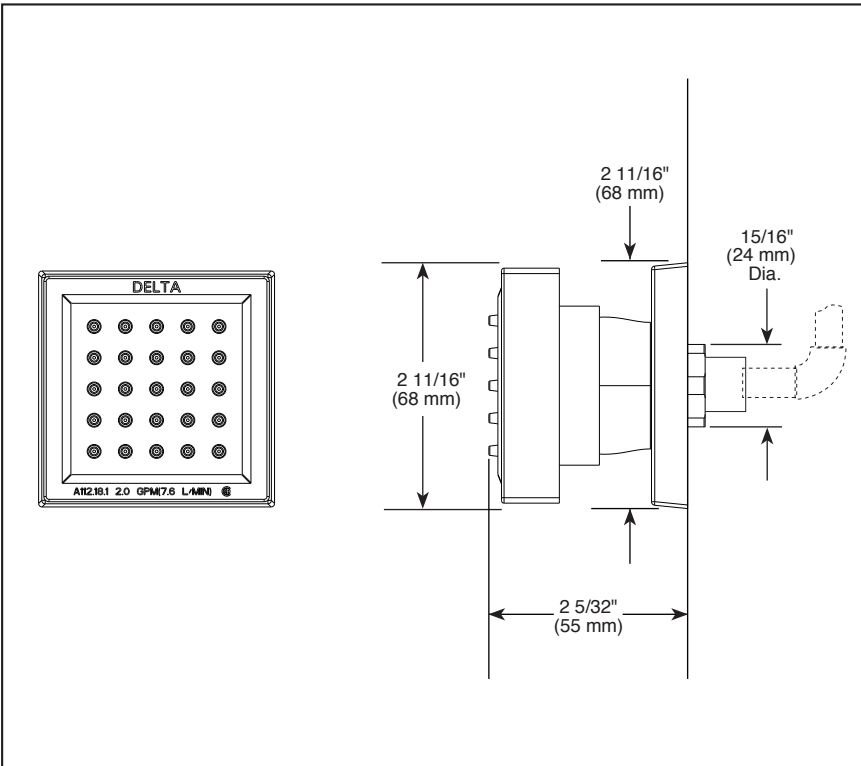


Submitted Model No.: \_\_\_\_\_

Specific Features: \_\_\_\_\_



## BODY SPRAY

- 2.0 GPM
- 1/2" Rough-In

### STANDARD SPECIFICATIONS:

- 2.0 gpm @ 80 PSI.
- 1/2" rough-in.\*
- 30° up and down adjustment.
- Solid brass construction.
- Matching finish spray face.
- Touch-clean® nubs.

\*Note: This installation requires a 1/2" male threaded pipe fitting to extend 1/4" beyond the finished surface.

### WARRANTY

- Lifetime limited warranty on parts (other than electronic parts and batteries) and finishes; or for commercial users, for 5 years from the date of purchase.
- 5 year limited warranty on electronic parts (other than batteries); or for commercial users, for 1 year from the date of purchase. No warranty is provided on batteries.

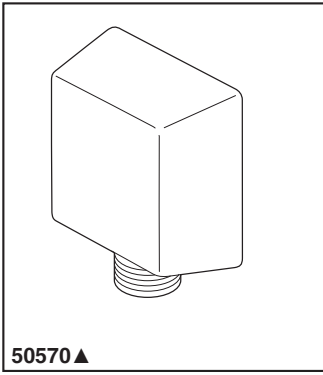
### COMPLIES WITH:

- ANSI/ASME A112.18.1 / CSA B125.1



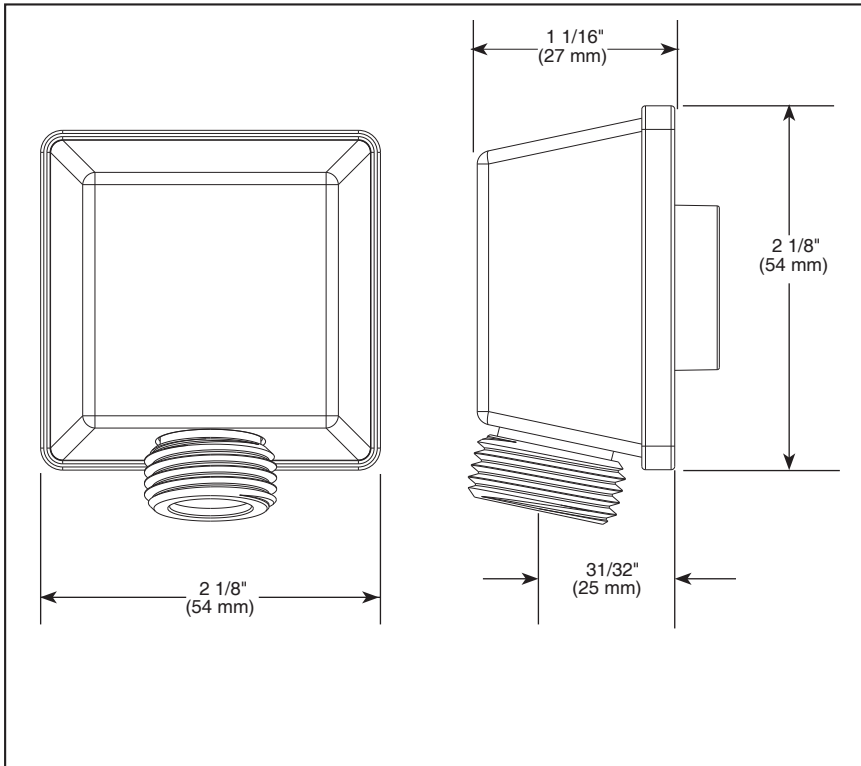
55 E. 111th Street, Indianapolis, Indiana 46280  
 350 South Edgeware Road, St. Thomas, Ontario Canada N5P 4L1  
 © 2015 Masco Corporation of Indiana

Delta reserves the right (1) to make changes in specifications and materials, and (2) to change or discontinue models, both without notice or obligation. Dimensions are for reference only. See current full-line price book or [www.deltafaucet.com](http://www.deltafaucet.com) for finish options and product availability.



Submitted Model No.: \_\_\_\_\_

Specific Features: \_\_\_\_\_



▲ Designate proper finish suffix



## ELBOW

### STANDARD SPECIFICATIONS

- Solid brass construction.
- 1/2" female NPT inlet.
- 1/2" male NPSM outlet for connecting to shower hoses.

### WARRANTY

- Lifetime Faucet and Finish Limited Warranty to the original consumer purchaser to be free from defects in material and workmanship.
- 5 Year Limited Warranty for usage in all industrial, commercial and business applications.

### COMPLIES WITH:

- ASME A112.18.1 / CSA B125.1

Delta reserves the right (1) to make changes in specifications and materials, and (2) to change or discontinue models, both without notice or obligation. Dimensions are for reference only. See current full-line price book or [www.specselect.com](http://www.specselect.com) for finish options and product availability.

DSP-B-50570 Rev. A



55 E. 111th Street, Indianapolis, Indiana 46280  
 350 South Edgeware Road, St. Thomas, ON N5P 4L1  
 © 2012 Masco Corporation of Indiana

Submitted Model No.: \_\_\_\_\_  
 Specific Features: \_\_\_\_\_



# PERSONAL HAND HELD SHOWERS

## Wall Mount Handshower

<p><b>57014▲ 2.5 GPM</b></p> <p>Full Body Spray        Massage Spray        Aerated Spray</p> <p>Accepts 1/2" - 14 NPSM Male</p>	<p><b>57021▲ 2.5 GPM</b></p> <p>Full Body Spray        Massage Spray        Aerated Spray</p> <p>Accepts 1/2" - 14 NPSM Male</p>	<p><b>57051▲ 2.0 GPM</b></p> <p>Full Body Spray</p> <p>Accepts 1/2" - 14 NPSM Male</p>
<p><b>57085▲ 2.0 GPM</b></p> <p>Full Body Spray</p> <p>Accepts 1/2" - 14 NPSM Male</p>	<p><b>55013▲ 2.0 GPM</b></p> <p>Full Body Spray</p> <p>Accepts 1/2" - 14 NPSM Male</p>	<p><b>55020▲ 2.0 GPM</b></p> <p>Full Body Spray</p> <p>Accepts 1/2" - 14 NPSM Male</p>
<p><b>55021▲ 2.5 GPM</b></p> <p>Full Body Spray        Massage Spray        Aerated Spray</p> <p>Accepts 1/2" - 14 NPSM Male</p>	<p><b>55051▲ 2.0 GPM</b></p> <p>Full Body Spray</p> <p>Accepts 1/2" - 14 NPSM Male</p>	<p><b>55085▲ 2.0 GPM</b></p> <p>Full Body Spray</p> <p>Accepts 1/2" - 14 NPSM Male</p>

### STANDARD SPECIFICATIONS:

- 2.5 gpm @ 80 psi (9.5 L/min @ 552 kPa)
- 2.0 gpm @ 80 psi (7.6 L/min @ 552 kPa)
- ABS hand held shower with one or five settings – not a positive shut-off
- 70" ultra-flex hose: 55013 & 57014.
- 60"-82" stretchable metal hose: 57021, 57051, 57085, 55020, 55021, 55051 & 55085
- Certified dual check valves for backflow protection
- 24" (610 mm) wall bar with adjustable slide (allows for adjustable shower height) - 57014, 57021, 57051 and 57085 only. Not to be used as a Grab Bar. Not ADA compliant
- Wall mount bracket - 55013, 55020, 55051 and 55085 only

### WARRANTY

- Lifetime limited warranty on parts (other than electronic parts and batteries) and finishes: or, for commercial users, for 5 years from date of purchase.
- 5 year limited warranty on electronic parts (other than batteries); or, for commercial users, for 1 year from the date of purchase. No warranty is provided on batteries.



### COMPLIES WITH:

- ASME A112.18.1/CSA B125.1 ◆
- EPA WaterSense® (2.0 GPM only)

#### ▲ Designate proper finish suffix

- Your Delta Faucet handshower incorporates a backflow protection system that has been tested to be in compliance with ASME A112.18.3 and ASME A112.18.1/CSA B125.1. It incorporates two certified check valves in series, which operate independently and are integral, non-serviceable parts of the wand assembly.

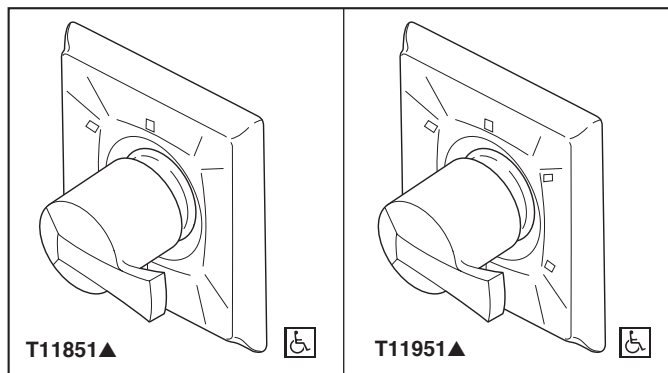


55 E. 111th Street, Indianapolis, Indiana 46280  
 350 South Edgeware Road, St. Thomas, ON N5P 4L1  
 © 2015 Masco Corporation of Indiana



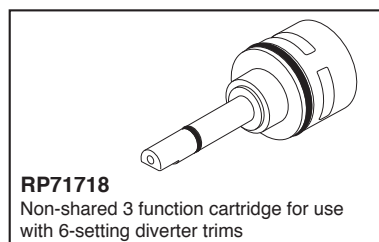
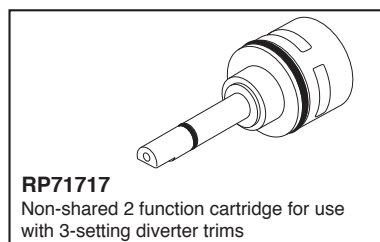
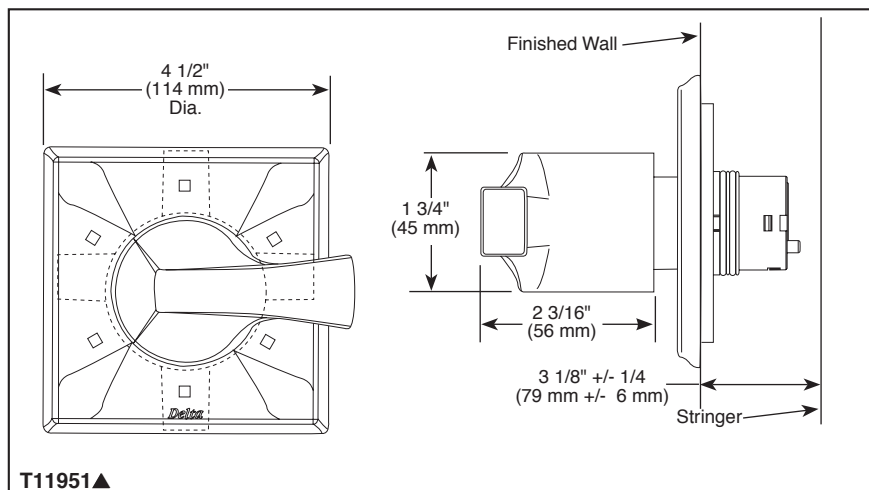
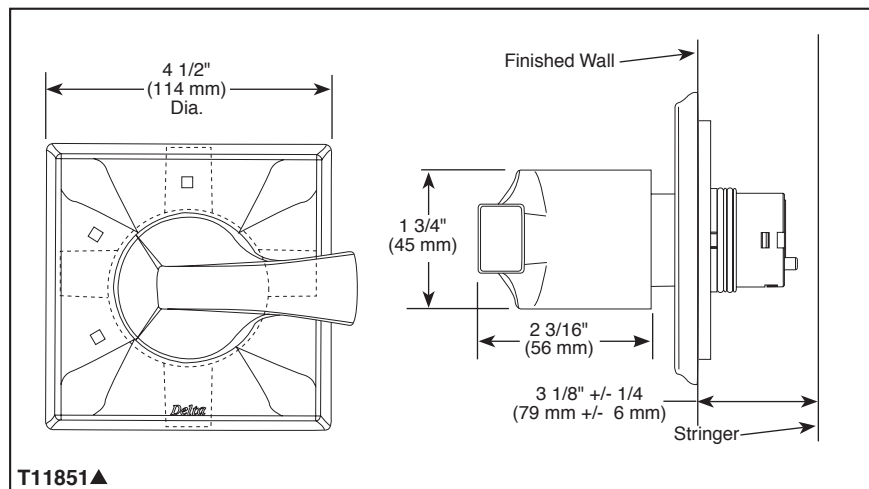
# CUSTOM SHOWER DIVERTER

- Dryden™ Collection
- Three Function Diverter Trim (T11851)
- Six Function Diverter Trim (T11951)
- Coordinates With All Delta Dryden™ Styled Bath Suites



Submitted Model No.: \_\_\_\_\_

Specific Features: \_\_\_\_\_



▲ Designate proper finish suffix

Delta reserves the right (1) to make changes in specifications and materials, and (2) to change or discontinue models, both without notice or obligation. Dimensions are for reference only. See current full-line price book or [www.deltafaucet.com](http://www.deltafaucet.com) for finish options and product availability.

DSP-B-T11851 Rev. D

## STANDARD SPECIFICATIONS

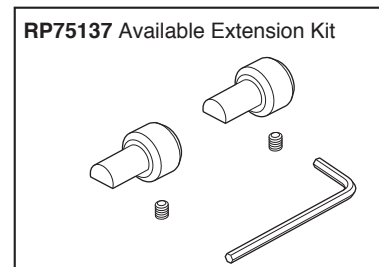
- Three function diverter 2 individual positions, 1 shared position.
- Six function diverter 3 individual positions, 3 shared positions.
- 1/2" rough-in.
- Must also order R1 1000 rough-in.
- Two individual positions, no shared positions order cartridge RP71717.
- Three individual positions, no shared positions order cartridge RP71718.

## WARRANTY

- Lifetime limited warranty on parts (other than electronic parts and batteries) and finishes; or, for commercial users, for 5 years from date of purchase.
- 5 year limited warranty on electronic parts (other than batteries); or, for commercial users, for 1 year from the date of purchase. No warranty is provided on batteries.

## COMPLIES WITH:

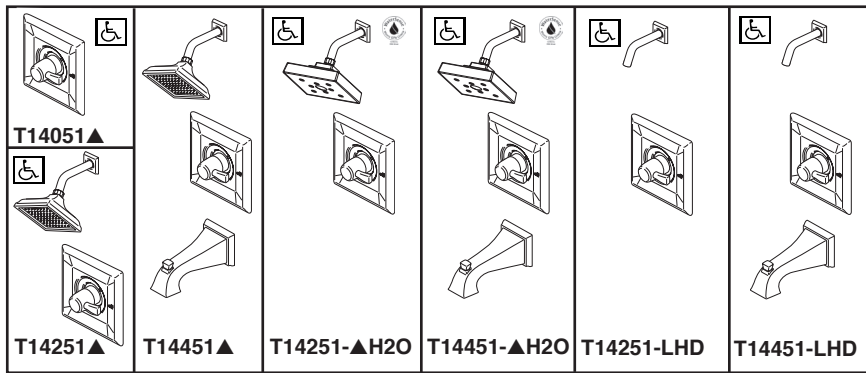
- ASME A112.18.1 / CSA B125.1
- Indicates compliance to ICC/ANSI A117.1



55 E. 111th Street, Indianapolis, Indiana 46280  
350 South Edgeware Road, St. Thomas, Ontario Canada N5P 4L1  
© 2014 Masco Corporation of Indiana



# TUB AND SHOWER FAUCET TRIM



- Dryden™ Bath Collection
- Valve Only (T14051)
- Shower Only (T14251 & T14251-H<sub>2</sub>O)
- Tub/Shower (T14451 & T14451-H<sub>2</sub>O)

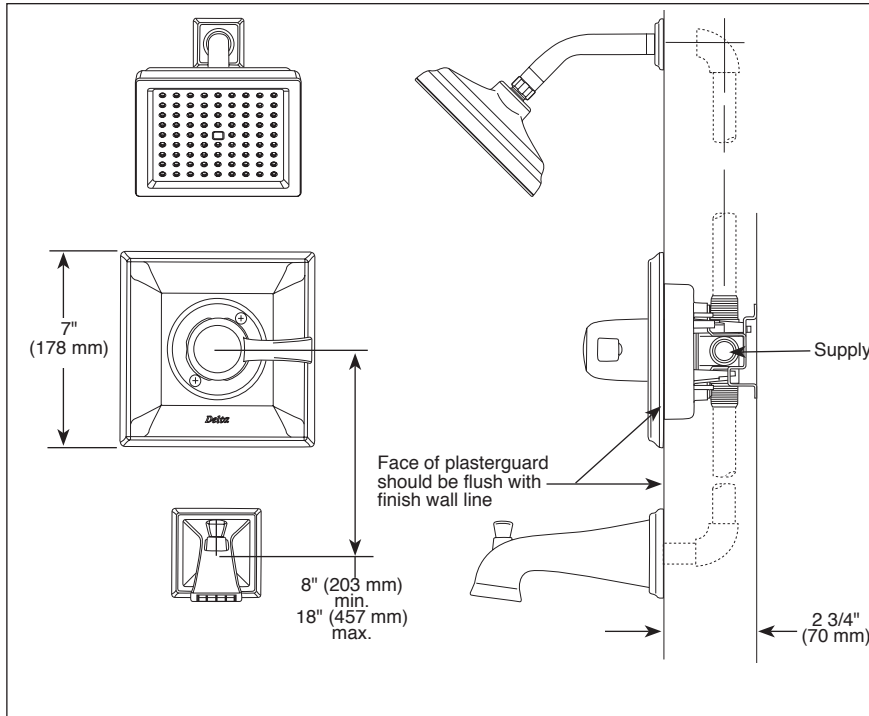
Submitted Model No.: \_\_\_\_\_  
 Specific Features: \_\_\_\_\_

## STANDARD SPECIFICATIONS:

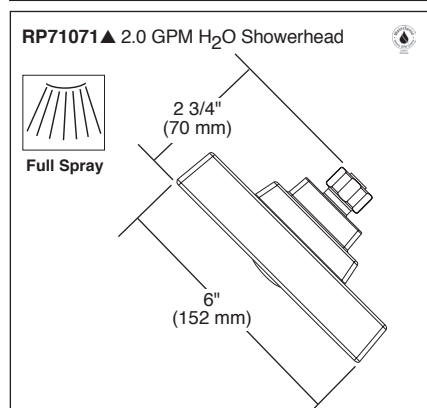
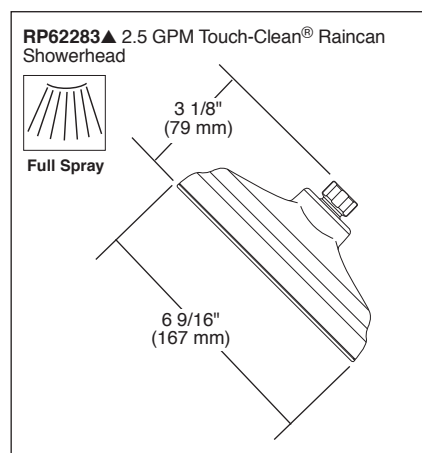
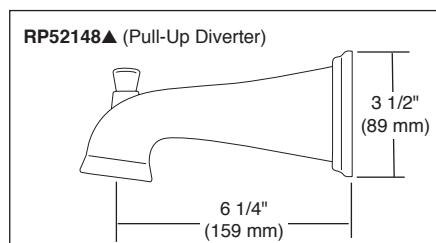
- Monitor® 14 Series pressure balanced single handle mixing valve trim.
- Maintains a balanced pressure of hot and cold water even when a valve is turned on or off elsewhere in the system.
- For use with MultiChoice® Universal rough valve body. (R10000 Series)
- Back-to-back installation capability.
- Solid brass forged body.
- Temperature only controlled with handle.
- Field adjustable to limit handle rotation into hot water zone.
- 120° maximum handle rotation.
- All parts replaceable from the front of the valve.
- H<sub>2</sub>Okinetic Technology® 2.0 gpm max @ 80 PSI.
- "LHD" models have pad printed red/blue temperature indication less showerhead.

## WARRANTY

- Lifetime limited warranty on parts (other than electronic parts and batteries) and finishes: or, for commercial users, for 5 years from date of purchase.
- 5 year limited warranty on electronic parts (other than batteries); or, for commercial users, for 1 year from the date of purchase. No warranty is provided on batteries.

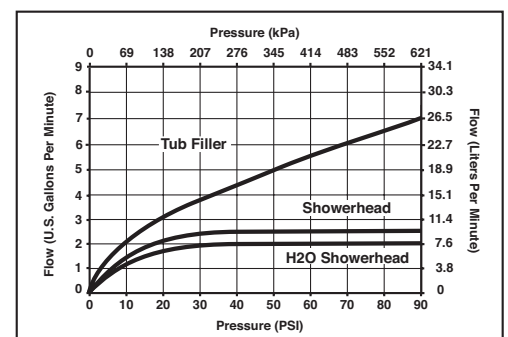


▲ Designate Proper Finish Suffix



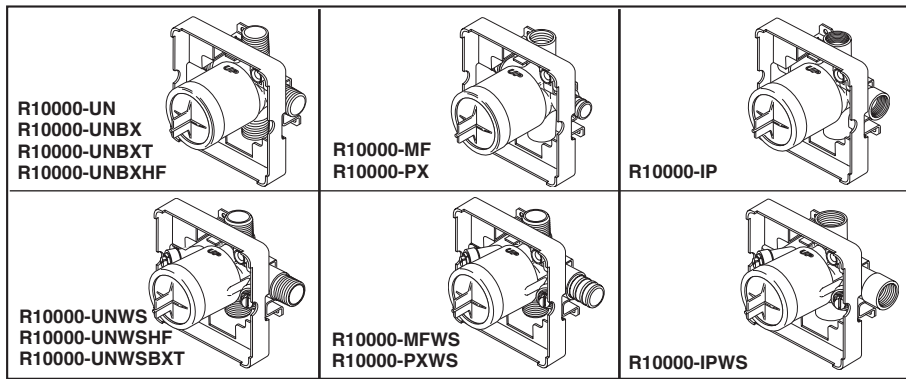
## COMPLIES WITH:

- ASME A112.18.1 / CSA B125.1
- ASSE 1016
- ♿ Indicates compliance to ICC/ANSI A117.1
- EPA WaterSense® (**H<sub>2</sub>O models only**)



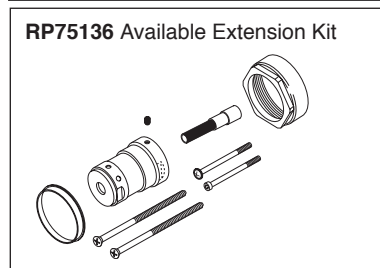
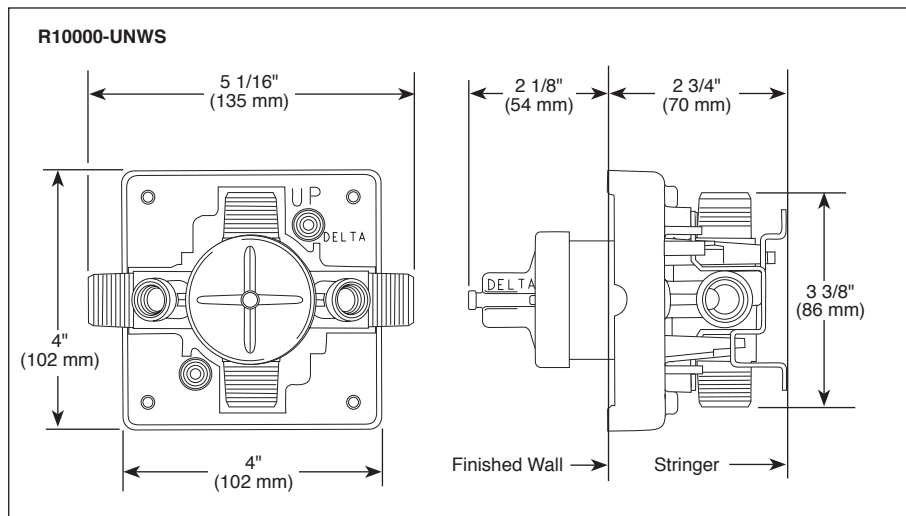
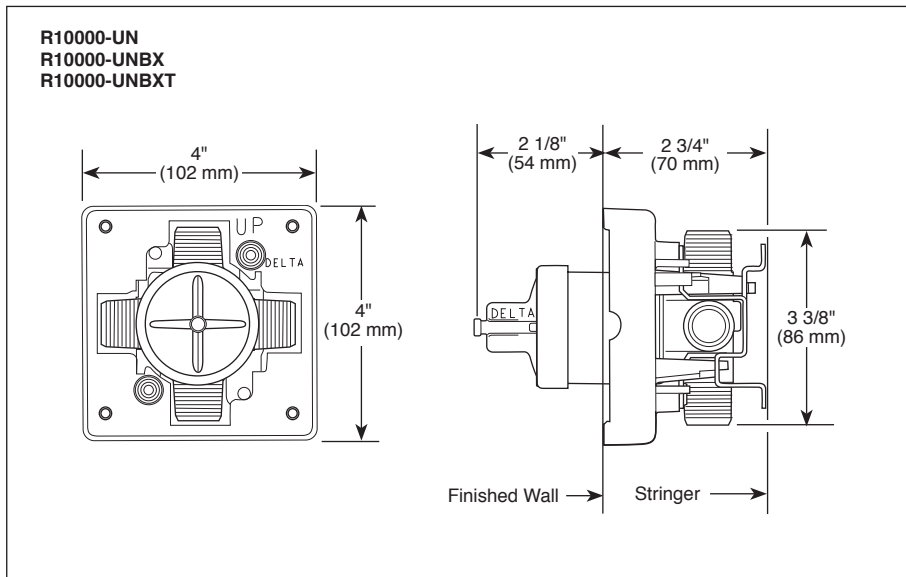

55 E. 111th Street, Indianapolis, Indiana 46280  
 350 South Edgeware Road, St. Thomas, ON N5P 4L1  
 © 2015 Masco Corporation of Indiana

Delta reserves the right (1) to make changes in specifications and materials, and (2) to change or discontinue models, both without notice or obligation. Dimensions are for reference only. See current full-line price book or www.deltafaucet.com for finish options and product availability.



Submitted Model No.: \_\_\_\_\_

Specific Features: \_\_\_\_\_

# MULTICHOICE<sup>®</sup> UNIVERSAL ROUGH VALVE BODY

- R10000-UN (Universal Inlets/Outlets)
- R10000-UNBX (Universal Single Box Model)
- R10000-UNBXHF (High Flow Shower Only)
- R10000-UNBXT (Thin Wall)
- R10000-UNWS (Universal with Stops)
- R10000-UNWSHF (High Flow with Stops)
- R10000-UNWSBXT (Thin Wall with Stops)
- R10000-PX (Pex Crimp Connections with UN Outlets)
- R10000-PXWS (Pex Crimp Connections with Stop with UN Outlets)
- R10000-IP (IPS Inlets/Outlets)
- R10000-IPWS (IPS with Stops)
- R10000-MF (Pex Cold Expansion Connections with UN Outlets)
- R10000-MFWS (Pex Cold Expansion with Stops with UN Outlets)

### STANDARD SPECIFICATIONS:

- Forged brass body.
- Back-to-Back installation capabilities.
- Can be tested with air (200 PSI) or water (300 PSI) without valve using supplied test cap.
- Square plasterguard allows for right angle cuts.
- Thin wall mounting.
- For use with MultiChoice<sup>®</sup> Universal single or dual function trim. Cartridge ships with trim.
- 1/2" outlets and connections.

Note: No tub outlet in HF model.

Note: Should use proper fitting with each type (copper tubing, iron pipe, and pex fitting).

Note: Should use proper tooling with crimping pex fitting and cold expansion pex models.

Note: IP indicates female 1/2" threaded connections.

Note: UN indicates Universal type fitting and is 1/2" NPT male thread with 1/2" C.W.T. female sweat.

### WARRANTY

- Lifetime limited warranty on parts (other than electronic parts and batteries) and finishes: or, for commercial users, for 5 years from date of purchase.
- 5 year limited warranty on electronic parts (other than batteries); or, for commercial users, for 1 year from the date of purchase. No warranty is provided on batteries.

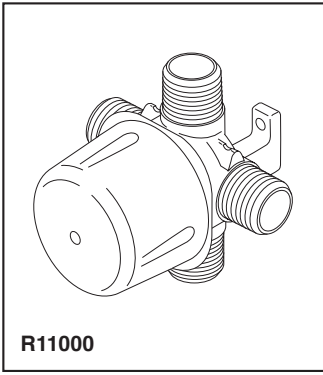
### COMPLIES WITH:

- ASME A112.18.1 / CSA B125.1



55 E. 111th Street, Indianapolis, Indiana 46280  
350 South Edgeware Road, St. Thomas, ON N5P 4L1  
© 2015 Masco Corporation of Indiana

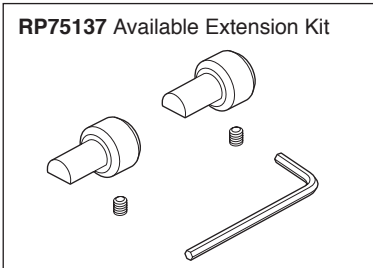
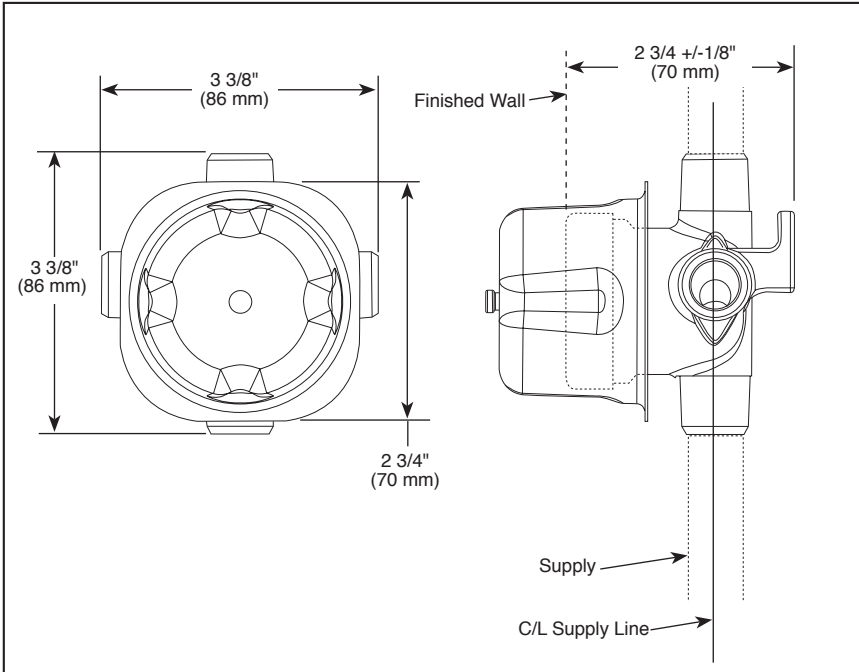
Delta reserves the right (1) to make changes in specifications and materials, and (2) to change or discontinue models, both without notice or obligation. Dimensions are for reference only. See current full-line price book or [www.deltafaucet.com](http://www.deltafaucet.com) for finish options and product availability.



R11000

Submitted Model No.: \_\_\_\_\_

Specific Features: \_\_\_\_\_



RP75137 Available Extension Kit



## ROUGH VALVE BODY

- R11000 (Case Qty. 3)
- 1/2" Rough-In

### STANDARD SPECIFICATIONS

- Three port diverter rough
- For use with (3) three or (6) six function diverter.
- Forged brass body
- Can be tested with air (200 psi) or water (300 psi) using supplied test cap
- Refer to the installation instructions for more details

### WARRANTY

- Lifetime limited warranty on parts (other than electronic parts and batteries) and finishes: or, for commercial users, for 5 years from date of purchase.
- 5 year limited warranty on electronic parts (other than batteries); or, for commercial users, for 1 year from the date of purchase. No warranty is provided on batteries.

### COMPLIES WITH:

- ASME A112.18.1 / CSA B125.1

Delta reserves the right (1) to make changes in specifications and materials, and (2) to change or discontinue models, both without notice or obligation. Dimensions are for reference only. See current full-line price book or [www.deltafaucet.com](http://www.deltafaucet.com) for finish options and product availability.

DSP-B-R11000 Rev. E



55 E. 111th Street, Indianapolis, Indiana 46280  
 350 South Edgeware Road, St. Thomas, ON N5P 4L1  
 © 2015 Masco Corporation of Indiana