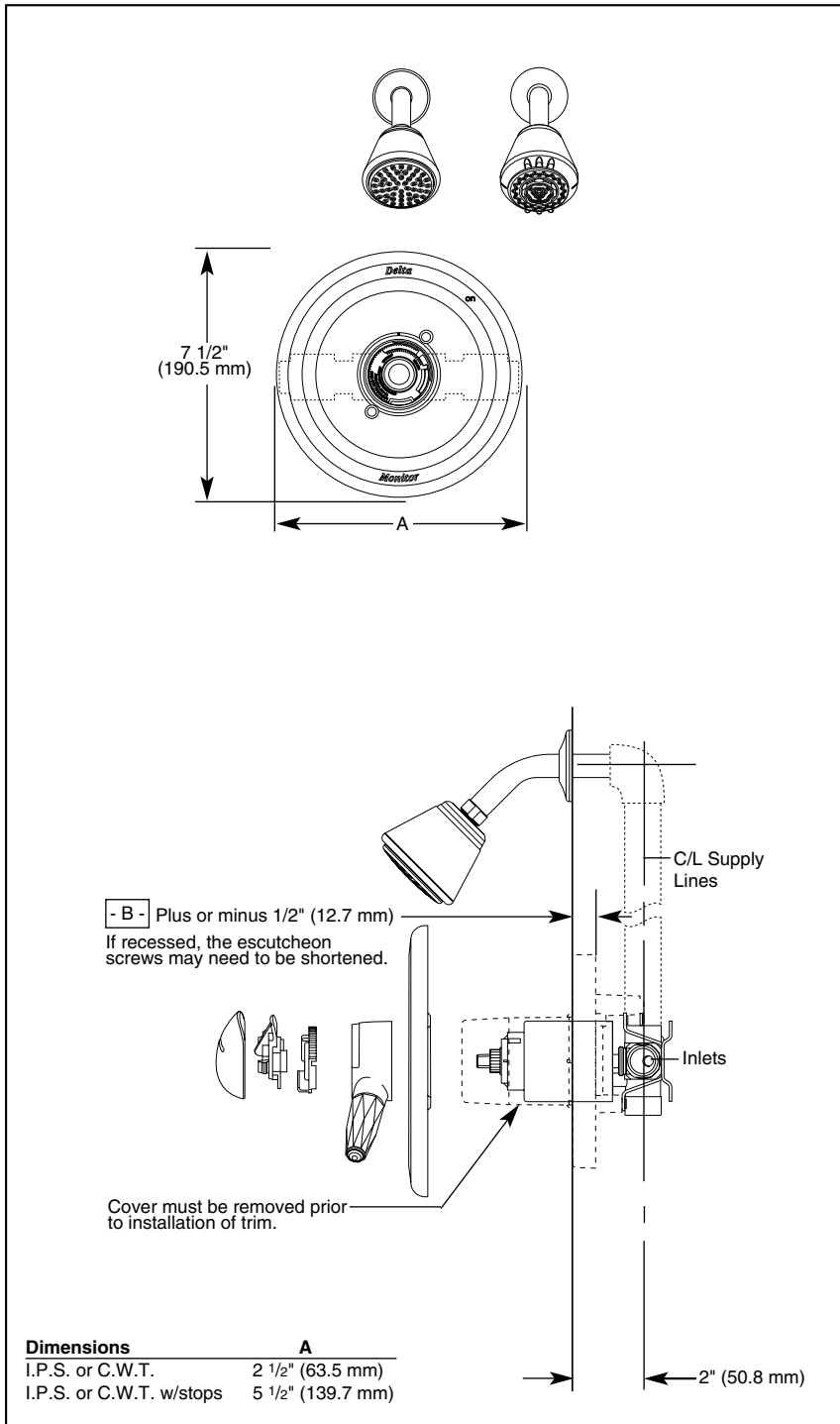


Submitted Model No.: _____

Specific Features: _____



DELTA

BATH MIXING VALVES

- Valve Only (1704 Series)
- Shower Only (1724 Series)
- Single Handle
- Monitor® with Scald-Guard® Valve
- Pressure Balance
- Volume Controlled with Lever Handle
- Temperature Controlled with Dial



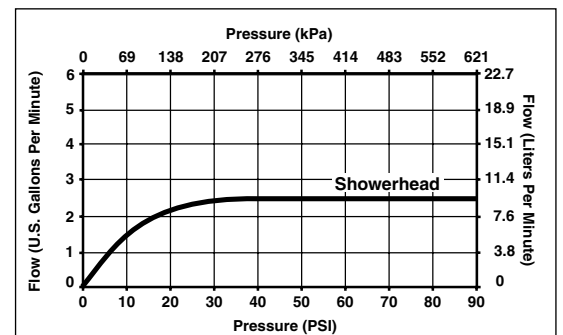
LISTED
UL Listed to US and Canadian
Safety Standards
21PL

COMPLIES WITH:

- ASME A112.18.1M-1996
- ASSE 1016-1996
- CSA B125-93
- Showerhead GSA A-A-240
- Indicates ADA compliance to CABO/ANSI A117.1-1992
- ASSE Seal Authorized
- City of L.A. approved
- CSA Certified
- IAPMO Listed

STANDARD SPECIFICATIONS:

- Requires 1 1/2" (38 mm) wall cavity.
- Back-to-back installation capability.
- Solid brass fabricated body.
- Monitor® with Scald-Guard® valve. Maintains a balanced pressure of hot and cold water even when a valve is turned on or off elsewhere in the system.
- Lever volume control handle; temperature adjustment dial.
- Field adjustable to limit dial rotation into hot water zone.
- Maximum dial rotation adjustable between 90° and 180°.
- Red and Blue graphics indicate hot/cold temperature adjustment.



Standard Features	1704	1704-C	1704-CWS	1704-WHBR	1704-WS	1704-WSBR	1724	1724-C	1724-CPB	1724-CPB	1724-CWHBR	1724-CWS	1724-CWSBR	1724-PB	1724-WSBRH	1724-WS
Washerless	◆	◆	◆	◆	◆	◆	◆	◆	◆	◆	◆	◆	◆	◆	◆	◆
Scald-Guard® Valve	◆	◆	◆	◆	◆	◆	◆	◆	◆	◆	◆	◆	◆	◆	◆	◆
Back-to-Back Installation	◆	◆	◆	◆	◆	◆	◆	◆	◆	◆	◆	◆	◆	◆	◆	◆
1/2" I.P.S. Inlets and Outlets	◆			◆		◆	◆							◆	◆	◆
1/2" C.W.T. Sweat Inlets and Outlets		◆	◆					◆	◆	◆	◆	◆	◆			
Replaceable Cartridge	◆	◆	◆	◆	◆	◆	◆	◆	◆	◆	◆	◆	◆	◆	◆	◆
Adjustable Rotational Limit Stop	◆	◆	◆	◆	◆	◆	◆	◆	◆	◆	◆	◆	◆	◆	◆	◆
Matching Finish Temperature Adjustment Dial	◆	◆	◆	◆	◆	◆	◆	◆	◆	◆	◆	◆	◆	◆	◆	◆
Volume Control Clear Lever Handle*	♿	♿	♿				♿	♿	♿	♿		♿		♿		♿
Chrome Volume Control Brass Lever Handle*						♿						♿				
White Volume Control Brass Lever Handle*				♿							♿				♿	
Metal Shower Arm and Flange							◆	◆	◆	◆	◆	◆	◆	◆	◆	◆
Non-Metallic Touch-Clean® Showerhead/1 Spray Pattern							◆	◆			◆	◆				◆
Non-Metallic Dual Spray Touch-Clean® Showerhead/2 Spray Patterns								◆	◆	◆				◆	◆	
Screwdriver Stops			◆		◆	◆				◆		◆	◆			◆
Chrome Finish	◆	◆	◆		◆	◆	◆	◆				◆	◆			◆
Brilliance™ Polished Brass Finish								◆	◆					◆		
White Finish				◆							◆				◆	

Available Options for Field Conversion:

- Screwdriver Stops. Order two RP5876s for IPS or two RP6005s for C.W.T.
- Shower Arm. Order RP6023▲.
- Shower Flange. Order RP6025▲.
- Non-metallic Push-Clean™ showerhead/1 spray pattern. Order RP28599▲.
- Non-metallic Touch-Clean® showerhead/1 spray pattern. Order RP28600▲.
- Non-metallic Dual Spray Touch-Clean® showerhead/2 spray patterns. Order RP28601▲.
- Non-metallic Ultimate Touch-Clean® showerhead/3 spray patterns. Order RP28602▲.
- Brass shower arm diverter for hand shower. Order RP4239 (chrome only).
- Personal hand shower with 24" vertical bar, 60" hose. Order RP7245 (chrome only).
- Personal hand shower with 24" vertical bar, 60" hose, vacuum breaker and wall supply elbow. Order RPW1111HDF (chrome only).
- Personal handshower with 60" hose, vacuum breaker and wall supply elbow. Order RPW2222HDF (chrome only).
- Metallic tub filler with pull-down diverter for 1/2" C.W.T. or 1/2" I.P.S. Order RP17454▲.
- Non-metallic tub filler with pull-down diverter for 1/2" C.W.T. or 1/2" I.P.S. Order RP17453 (chrome only).
- Non-metallic slip-on tub filler with pull-down diverter for 1/2" C.W.T. Order RP5836 (chrome only).
- Metallic slip-on tub filler with pull-down diverter for 1/2" C.W.T. Order RP19581PB (Brilliance™ polished brass only).
- Metallic tub filler with pull-up diverter for 1/2" C.W.T. or 1/2" I.P.S. Order RP7533▲.
- Non-metallic tub filler with pull-down diverter for 1/2" C.W.T. or 1/2" I.P.S. Order RP5834 (chrome only).
- Non-metallic slip-on tub filler with pull-down diverter for 1/2" C.W.T. Order RP19820 (chrome only).
- Metallic over-the-rim tub filler for 1/2" I.P.S. Order RP5833▲.
- Metallic over-the-rim slip-on tub filler for 1/2" C.W.T. Order RP5835 (chrome only).
- Bath waste assemblies and bath accessories also available separately.

▲=Specify Finish

<p>RP5836 RP17453 RP17454▲ RP19581PB</p>
<p>RP5834 RP7533▲</p>
<p>RP19820</p>
<p>RP5833▲ RP5835</p>

<p>RP28599▲ Push-Clean™ Showerhead</p>	<p>RP28600▲ Touch-Clean® Showerhead</p>
<p>RP28601▲ Dual Spray Touch-Clean® Showerhead</p>	<p>RP28602▲ Ultimate Touch-Clean® Showerhead</p>

***Handle Accents**

	A72CL
	A72, A72PB, A72WH



Indianapolis, Indiana 46280
A Division of Masco Corporation of Indiana
© 2001 Masco Corporation of Indiana