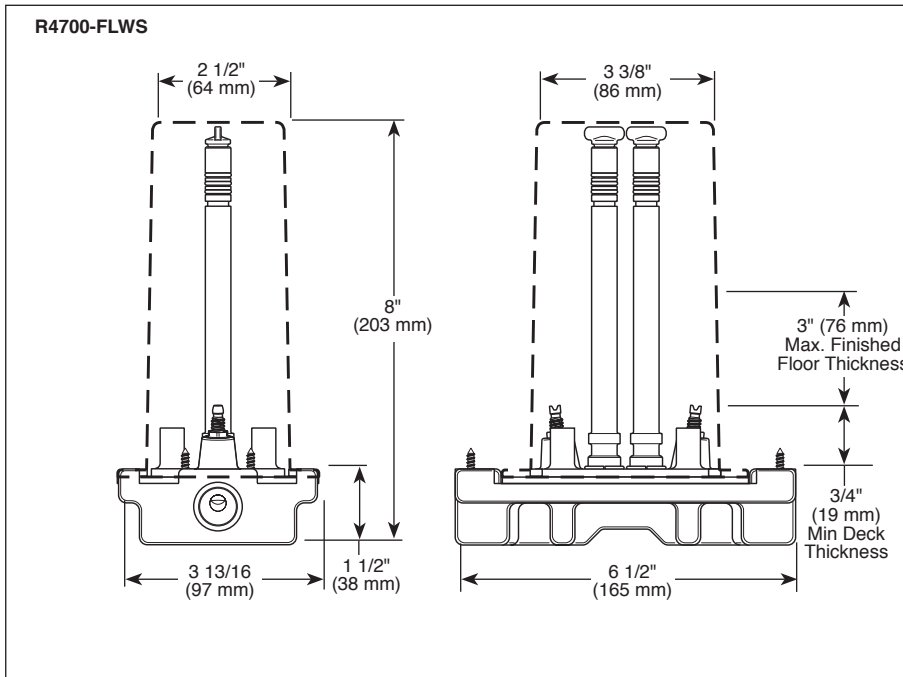


R4700-FLWS

Submitted Model No.: _____

Specific Features: _____



SINGLE HOLE FREESTANDING FLOOR MOUNTED TUB FILLER ROUGH-IN

■ R4700-FLWS (With Stops)

STANDARD SPECIFICATIONS:

- 1/2" NPT female inlets.
- Forged brass body.
- Available with integrated stops (R4700-FLWS).
- Innovative mounting system provides for simple stable installation.
- Accommodates finished floor thickness up to 3".
- Pre-assembled test caps allow air or water pressure testing without trim.
- Pre-assembled protective plasterguard with information label indicating finished floor location.
- Pre-assembled gasket to isolate living space.
- Trim sold separately.

WARRANTY

- Lifetime limited warranty on parts (other than electronic parts and batteries) and finishes; or, for commercial users, for 5 years from date of purchase.
- 5 year limited warranty on electronic parts (other than batteries); or, for commercial users, for 1 year from the date of purchase. No warranty is provided on batteries.

COMPLIES WITH:

- ASME A112.18.1 / CSA B125.1



55 E 111th Street, Indianapolis, Indiana 46280
350 South Edgeware Road, St. Thomas, ON N5P 4L1
© 2015 Masco Corporation of Indiana