

Electronic Washdown Urinal 1600T and 1601T Series

TECK[®]
COMMERCIAL



Specification: (example)

- **Battery** (4 'C' cell) or **Hardwire** (24 VAC) infrared electronic urinal flushing system
 - Stainless steel cover with integral sensor utilizing **H₂OPTICS[®]** technology and S/S vandal resistant mounting screws, metal mounting box
 - Power function light, field selectable sensor range
 - Electronic manual override
 - Preset blocking time
 - Slow closing solenoid valve, integral stop
- and...
with... (add control/sensor box required)
with... (transformer – specify separately – See Back Page)

**1600T9003RI and
1600T9003TR**



Engineer/Architect Approval

Model Specified:

Approval:

Date:

Note: Rough-in and Trim Ordered Separately for all Models , Except 1600T9006 & 1601T9006 which are Ordered Complete.

DESCRIPTION	1600T	1601T	PRODUCT NO.				
Hardwire	1600T	9	0	0			RI
Hardwire	1600T	9	0	0			TR
Battery	1601T	9	0	0			RI
Battery	1601T	9	0	0			TR
Hardwire with Battery Backup	1600T	9	0	0			RI
Hardwire with Battery Backup	1600T	9	0	0			TR

-BB Required on "TR" Only.



NOT APPLICABLE	
0	<input checked="" type="checkbox"/>
1	<input type="checkbox"/>
2	<input type="checkbox"/>
3	<input type="checkbox"/>
4	<input type="checkbox"/>
5	<input type="checkbox"/>
6	<input type="checkbox"/>
7	<input type="checkbox"/>
8	<input type="checkbox"/>
9	<input type="checkbox"/>

NOT APPLICABLE	
0	<input checked="" type="checkbox"/>
1	<input type="checkbox"/>
2	<input type="checkbox"/>
3	<input type="checkbox"/>
4	<input type="checkbox"/>
5	<input type="checkbox"/>
6	<input type="checkbox"/>
7	<input type="checkbox"/>
8	<input type="checkbox"/>
9	<input type="checkbox"/>

CONTROL BOX	
0	<input type="checkbox"/>
1	<input type="checkbox"/>
2	<input type="checkbox"/>
3	<input type="checkbox"/>
4	<input type="checkbox"/>
5	<input type="checkbox"/>
6	<input type="checkbox"/>
7	<input type="checkbox"/>
8	<input type="checkbox"/>
9	<input type="checkbox"/>

For RECESSED MOUNTING – BACK INLET URINAL Components ASSEMBLED in 8" Box, w/Integral Sensor in S/S Cover, S/S Outlet Hose. SEE Specification Drawing #18

For RECESSED MOUNTING – TOP INLET URINAL (1) Components ASSEMBLED in 8" Box, w/Integral Sensor in S/S Cover. SEE Specification Drawing #18

Components only UNASSEMBLED (1) 4" Box w/Integral Sensor in S/S Cover. SEE Specification Drawing #19 (2)

(1) When used for TOP Inlet Urinal Fixture - Exposed Tubing, Flanges, Elbow, etc. **SUPPLIED** by Others. (2) 1600T9006 & 1601T9006 ordered as complete product only. No RI or TR available. Refer to www.specselect.com for individual models. Note: Use this page front and back, with specification drawing page referenced above, as product submittal sheets.



TECK[®]
COMMERCIAL

Electronic Washdown Urinal 1600T and 1601T Series



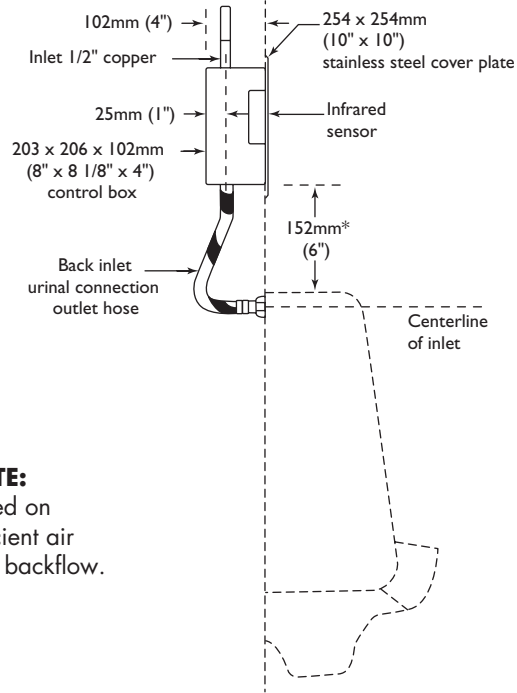
Approvals:

- IAPMO listed to CSA B125.3 and ASSE 1037
 - ADA Compliant and meets Handicapped Accessibility Standard ICC/ANSI A117.1 of less than 5 lbs. operating force.
- (Contact Delta Representative for State and/or Local Approvals.)

OPERATION:

- 8 second blocking time.
- Activation delay:
0 seconds on urinal applications
- Adjustable flush volumes of 0.4 to 0.95 gallons (1.5 to 3.6 litres)
Factory set 0.5 gallons (1.9 litres)
- Selectable sensing distance:
12 to 28" in 4" increments.
Factory set to 20"
- Adjustable 24 hour courtesy flush
factory set to OFF

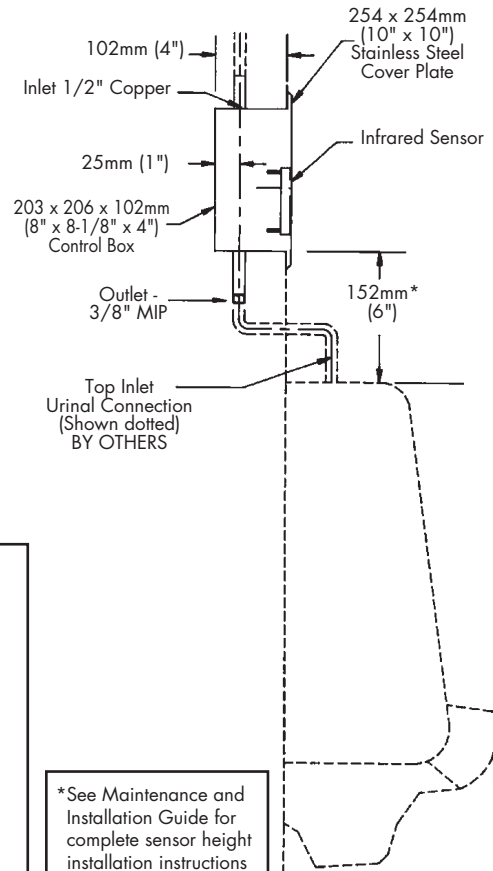
**1600T9001RI
AND
1600T9001TR
TYPICAL
INSTALLATION**



INSTALLATION NOTE:

Models must be installed on fixtures providing sufficient air gap protection against backflow.

**1600T9003RI
AND
1600T9003TR
TYPICAL
INSTALLATION**



**HARDWIRE WITH
BATTERY BACKUP**

Add suffix "-BB" to TR Product Number. See DSP-BB for detailed specification.

1600T ELECTRONIC FLUSH VALVE OPTIONAL ACCESSORIES:

✓ TRANSFORMERS:	
060704A	110 to 24VAC Class II 20VA (For 5 Sensor Modules)
060771A	110 to 24VAC Class II 40VA (Up to 10 Sensor Modules)
060772A	110 to 24VAC Class II 100VA (Up to 25 Sensor Modules)
✓ CORDS:	
060680A	4' Solenoid Extension Wire
✓ HARDWARE CONVERTER:	
060683A	24VAC to 6VDC Converter (Supplied standard on Hardwire models)
061047A	24VAC to 6VDC Converter with Battery Backup (Standard on "-BB" models)

Note: Measurements may vary ± 6mm (0.25")

Refer to www.specselect.com for individual models.
Product supplied as shown by solid lines. All items shown by dotted lines supplied by others.

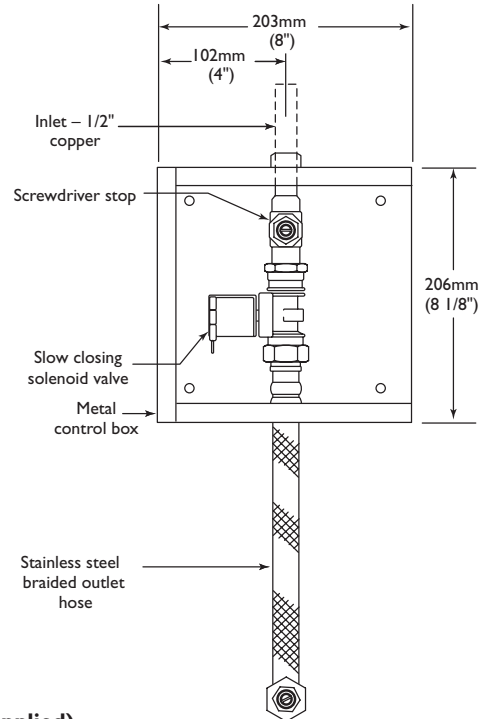
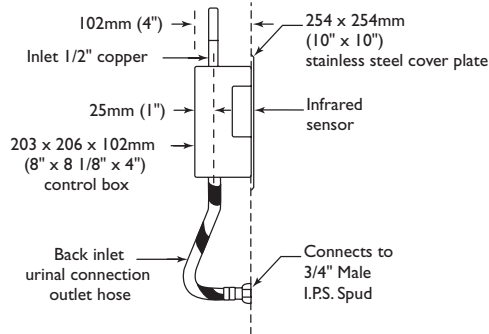
URINAL VALVE ASSEMBLED CONTROL BOX (RECESSED MOUNT)

1600T AND 1601T SERIES

✓	PRODUCT NO.					VALVE TYPE	MOUNT TYPE	COVER	
	1600T	9	0	0	1	Back Inlet Urinal	Recessed Mount	254mm (10")	Stainless Steel
	1600T	9	0	0	3	Top Inlet Urinal	Recessed Mount	254mm (10")	Stainless Steel
	1601T	9	0	0	1	Back Inlet Urinal	Recessed Mount	254mm (10")	Stainless Steel
	1601T	9	0	0	3	Top Inlet Urinal	Recessed Mount	254mm (10")	Stainless Steel

Note: Rough-in and Trim Ordered Separately

1600T9001 AND 1601T9001 SERIES



"RI" ROUGH-IN MODELS

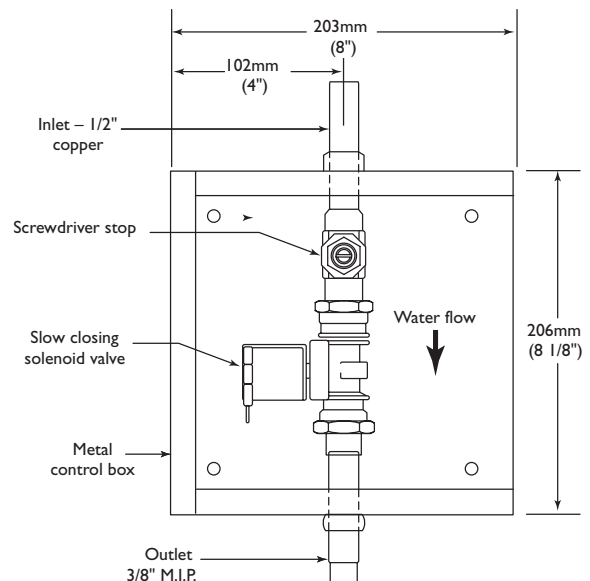
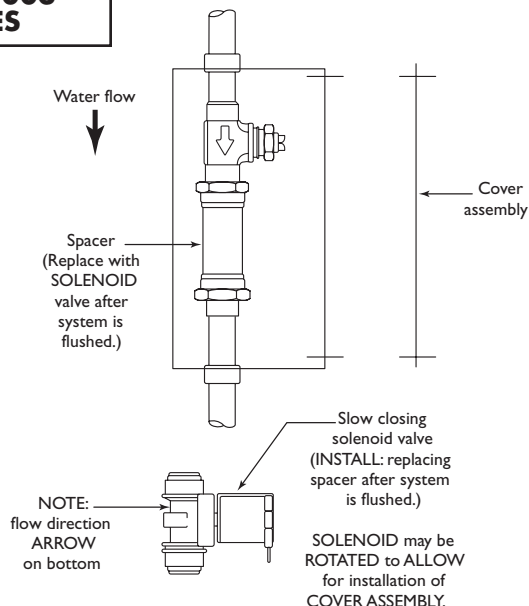
- Supplied assembled as shown in wall box except:
- with spacer in place of solenoid valve
 - with temporary cover in place of stainless steel cover

"TR" TRIM MODELS

- Supplied as sensor and over-ride button attached to stainless steel cover – and with solenoid valve to replace spacer

1600T9003 AND 1601T9003 SERIES

(Note: Top inlet urinal connections not supplied)

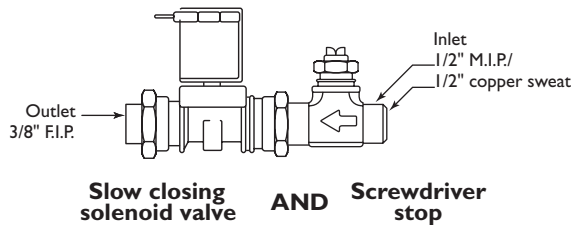
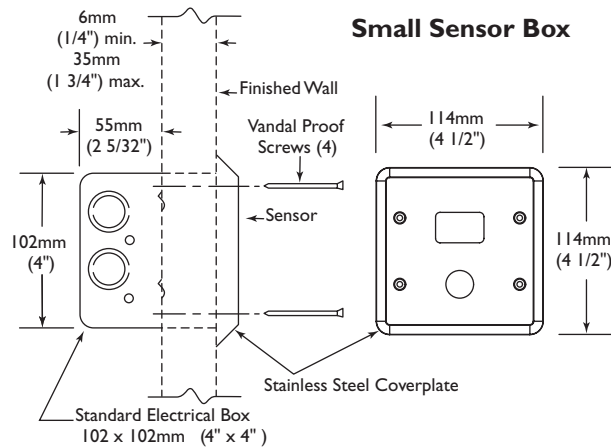


Note: Measurements may vary ± 6mm (0.25")

COMPONENTS ONLY UNASSEMBLED
1600T and 1601T SERIES

✓	PRODUCT NO.					FAUCET TYPE	COVER
	1600T	9	0	0	6	Urinal Valve	114mm (4-1/2") Stainless Steel
	1601T	9	0	0	6	Urinal Valve	114mm (4-1/2") Stainless Steel

Note: Ordered as complete product only. No RI or TR available.

**1600T9006 AND
1601T9006
SERIES**


Note: Measurements may vary ± 6mm (0.25")