



SHOWERHEAD

- 5-Setting Touch-Clean® Shower Head
- High Velocity Eco Spray
- Vandal-Resistant

STANDARD SPECIFICATIONS:

- Standard 1/2" pipe fitting.
- Meets EPA criteria for WaterSense.
- Maximum water consumption 2.0 gpm (7.6 L/min) @ 80 psi.
- Actual water consumption 1.7 gpm (6.4 L/min) @ 45 psi.
- For use with automatic compensating valves rated at 1.5gpm (5.7 L/min) or less.
- Hexagon screw thread size is M4*0.7mm.

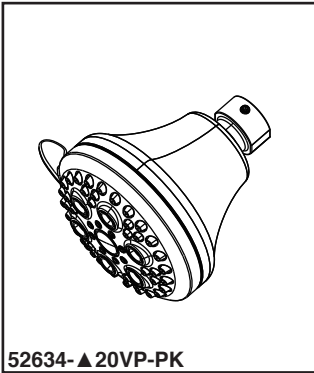
WARRANTY

- Lifetime limited warranty on parts (other than electronic parts and batteries) and finishes; or for commercial users, for 5 years from the date of purchase.
- 5 year limited warranty on electronic parts (other than batteries); or for commercial users, for 1 year from the date of purchase. No warranty is provided on batteries.



COMPLIES WITH

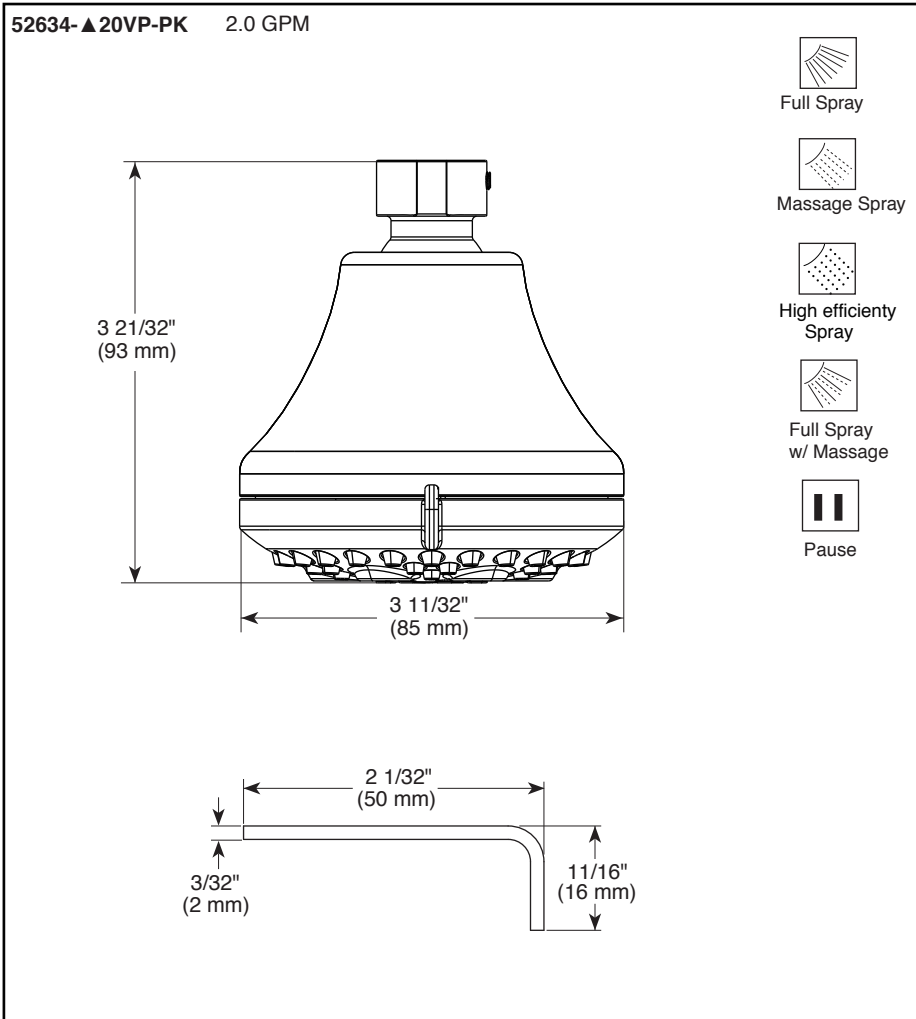
- ASME A112.18.1/CSA B125.1
- EPA WaterSense®



52634-▲20VP-PK

Submitted Model No.: _____

Specific Features: _____



▲ Designate proper finish suffix

