



see what Delta can do™

TUB AND SHOWER FAUCET TRIM

■ Leland® Bath Series

FEATURES:

- Monitor® 14 Series pressure balanced bath mixing valve
- Touch-Clean® Showerhead
- MultiChoice® Universal rough valve body (R10000 Series)

STANDARD SPECIFICATIONS:

- Maximum 1.75 gpm @ 80 psi, 6.6 L/min @ 550 kPa
- Maintains a balanced pressure of hot and cold water even when a valve is turned on or off elsewhere in the system
- Back-to-back installation capability
- Solid brass forged body
- Temperature only controlled with handle
- Field adjustable to limit handle rotation into hot water zone
- 120° maximum handle rotation
- All parts replaceable from the front of the valve
- LHP - less handle program - see recommended handles below
- Models with "CER" use ceramic cartridge RP74236
- Stem extension kit RP77991 can be ordered to allow for an additional 1 3/4" wall thickness RP77991 ships with chrome escutcheon screws For special finishes also order RP12630 escutcheon screws in desired finish
- **Note:** Product will be marked with flow rate of specific showerhead.

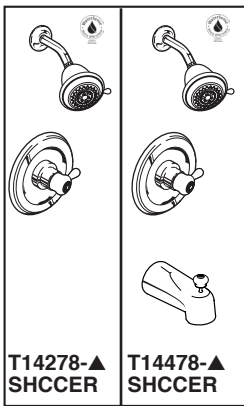
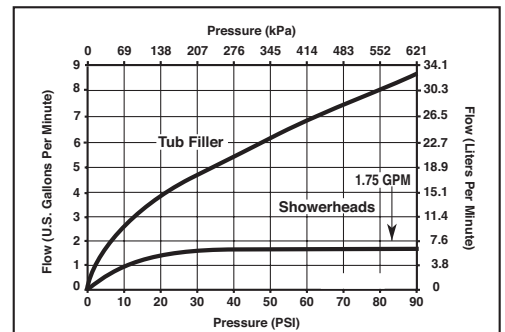
WARRANTY

- Lifetime limited warranty on parts (other than electronic parts and batteries) and finishes: or, for commercial users, for 5 years from date of purchase.
- 5 year limited warranty on electronic parts (other than batteries); or, for commercial users, for 1 year from the date of purchase. No warranty is provided on batteries.



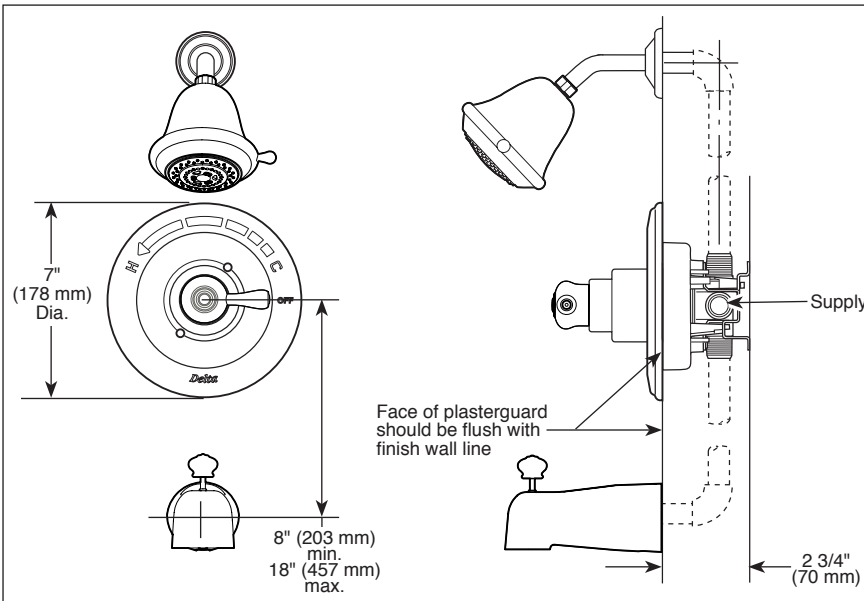
COMPLIES WITH:

- ASME A112.18.1 / CSA B125.1
- ASSE 1016
- EPA WaterSense®



Submitted Model No.:

Specific Features:



RP43381▲
1.75 GPM
Touch-Clean® Raincan Showerhead

RP77991 Extension Kit

▲ Designate proper finish suffix

