



Bedpan Cleansers

Exposed TECK® Bedpan Washer Flush Valve for 1-1/2" TOP INLET CLOSET FIXTURE - 34.38" (873 mm) height from inlet c/l to top of fixture

Model No: 81TBP000

COMPLIES WITH:

- IAPMO listed to CSA B125.3/ ASSE 1037
- ADA logo indicates handle compliance to ICC/ ANSI A117.1/ADA.
- (Contact Delta Representative for State and/or Local Approvals)



SPECIFICATION:

- Quiet action, Teck® exposed diaphragm flush valve
- Chloramine resistant diaphragm
- Forged brass diaphragm retainer
- Renewable seat
- Polished chrome plated finish
- External water conserving flush volume adjustment, factory set at 60 psi to 6 litre (1.6 gal.)
- Vandal resistant cover screw
- Metal "non hold open" handle
- 1" FIP/copper sweat inlet adaptor angle check stop with protecting cap
- Adjustable 121mm (4 3/4") plus or minus 11mm (7/16") inlet/valve outlet centers
- Vacuum breaker
- Cover tube and S/S wall flange, spud flange and concealed spud nut
- Bedpan Washer Diverter Assembly with the following features:
 - Solid brass spray arm
 - Diverter valve wall support
- External water conserving flush adjustment: Factory set to 6 Litre(1.6 Gal.) - Field Adjustable from 4.8L to 25L (1.27 to 6.6 Gal.)

OPERATION:

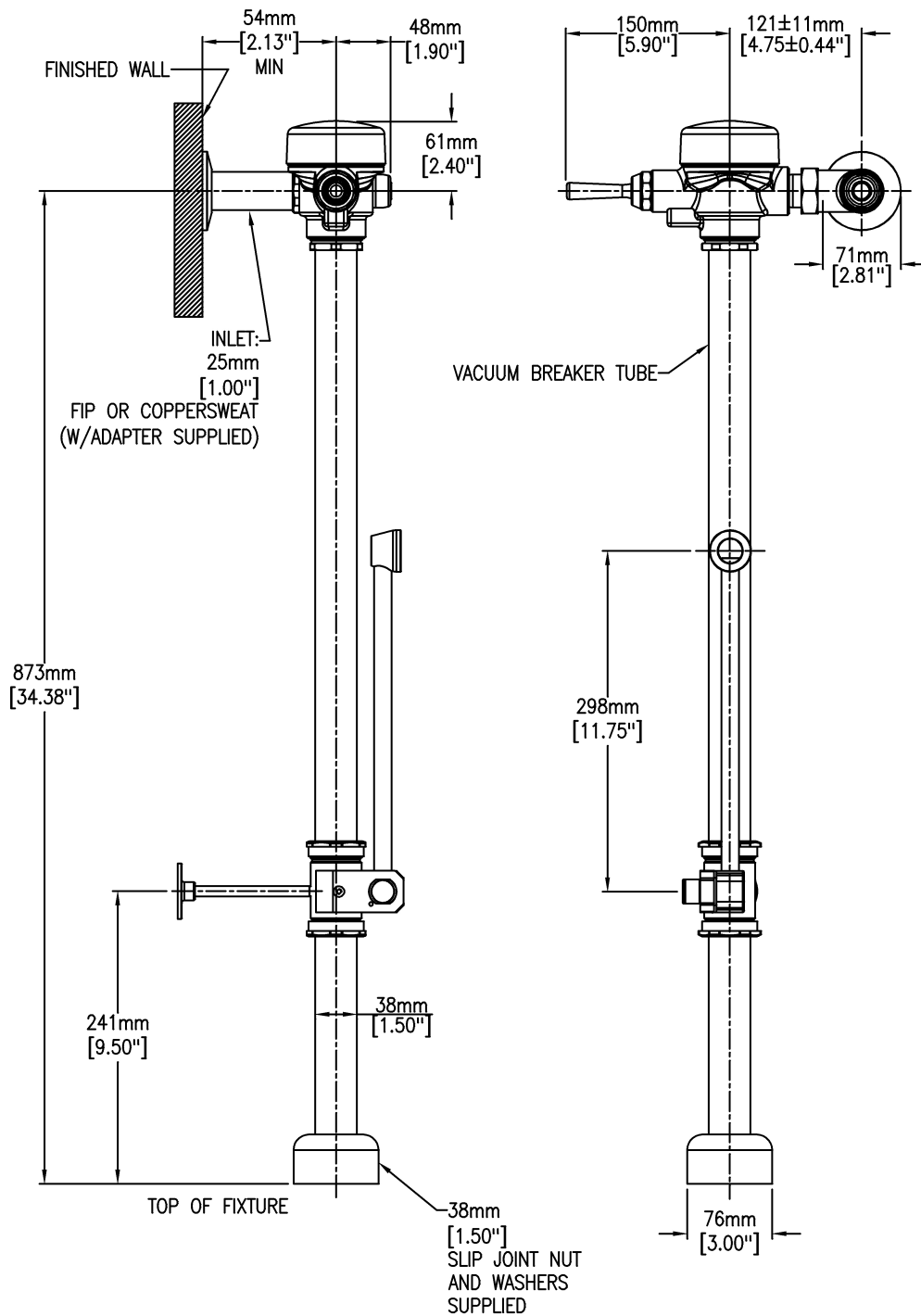
- For high and low pressure applications, please see "Diaphragm Flush Valve Operation" (FEA-81T in Other Tech. Info) High Water Pressure note for more details.
- Verify flow requirements with bowl manufacturer.
- Adjustable flush volume using adjustment screw on flush valve

(Dimensional drawing on following page)

Delta reserves the right (1) to make changes to specifications and materials, and (2) to change or discontinue models, both without notice or obligation. Dimensions are for reference. Measurement may vary plus or minus 6mm(0.25"). Mounting locations are suggested only. Check with local codes for requirements in your area. This spec was produced July 22, 2013.

Delta Faucet Company - 55 East 111th St. - Indianapolis, Indiana, USA 46280 - (317) 848-1812
Delta Faucet Canada - 395 Matheson Blvd E - Mississauga, Ontario, Canada L4Z 2H2 - (905) 712-3030

Model No: 81TBP000



Delta reserves the right (1) to make changes to specifications and materials, and (2) to change or discontinue models, both without notice or obligation. Dimensions are for reference. Measurement may vary plus or minus 6mm(0.25"). Mounting locations are suggested only. Check with local codes for requirements in your area. This spec was produced July 22, 2013.

Delta Faucet Company - 55 East 111th St. - Indianapolis, Indiana, USA 46280 - (317) 848-1812
 Delta Faucet Canada - 395 Matheson Blvd E - Mississauga, Ontario, Canada L4Z 2H2 - (905) 712-3030