



## Electronic Faucets

Deckmount Hi-Rise Spout with Integral Sensor-

### Model No: 590T1128TR

#### COMPLIES WITH:

- CSA certified.
- Complies to ASME A112.18.1/CSA B125.1
- Verified compliant with 0.25% weighted average Pb content regulations
- ADA compliant and meets Handicapped Accessibility Standard ASME A117.1 of less than 5 lbs operating force
- US Patent #6, 826, 455
- For optimum performance of this product, we recommend a system pressure between 20 and 80 psi static. This product will operate up to a maximum of 125 psi static per ANSI and CSA requirements. However, we do not recommend pressures above 80 psi. Thermal expansion or leaking pressure reducing valves may require use of expansion tanks or relief valves to ensure your system never exceeds its maximum intended pressure setting.
- (Contact Delta Representative for State and/or Local Approvals)
- R2570-MIX Thermostatic Mixing Valve CSA certified and meets ASSE 1069 and 1070.



#### NOTES:

Verified to <0.25% Pb average wetted surface regulations

CA/VT Compliance:

This COMPLETE SERIES is ONLY available as CA/VT Compliant product as of December 3, 2012.

The Product Numbers have NOT changed.

Control Box(590Txxx8TR) - NOTES:

Requires Rough-in Product Number ELAVT0008RI to be ordered separately - seeELAVT0008RI

***(Dimensional drawing on following page)***

#### SPECIFICATION:

- Infrared electronic handwash system
- H<sup>2</sup>Optics® technology- no external adjustments required
- Chrome plated one piece CAST Hi-Rise spout with Integral sensor
- Adjustable sensing range and timeout
- Deckmount Hi-Rise Spout with Integral Sensor-
- Outlet#: 2 - Vandal Res. Laminar Flow Outlet- 1.5 GPM (5.7 L/Min) flow rate at 60 psi- with Antimicrobial by Agion®
- Single Hole Deckmount Hi-Rise Spout with Integral Sensor
- Battery powered (4 "C" cell batteries)
- Audible low battery indicator
- 12" S/S Cover, Driver Board, Solenoid for ELAVT0008RI with Thermostatic Mix Valve

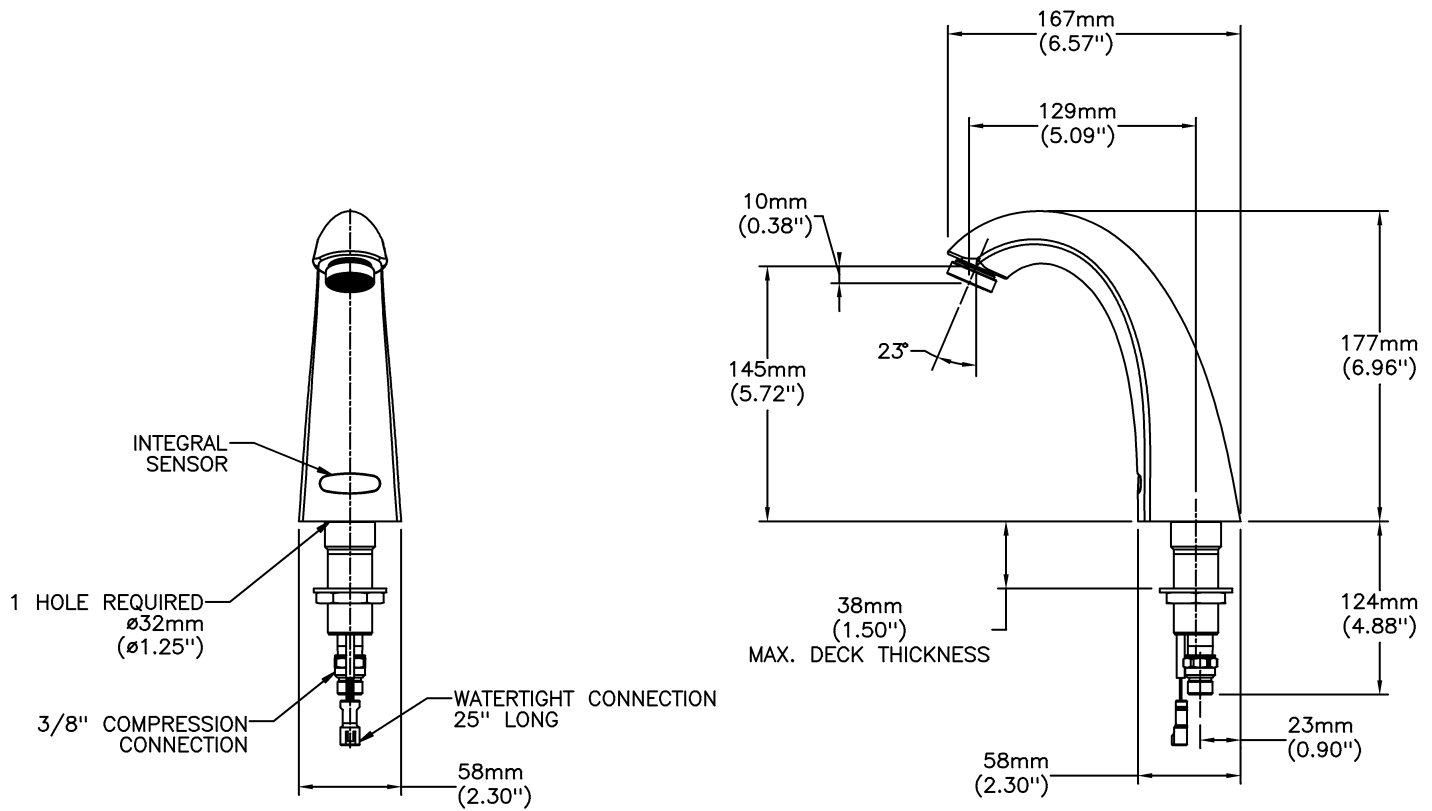
#### OPERATION:

- Hands free (touchless) operation.
- Water flows when sensor is activated/ Water flow stops upon de-activation of sensor.
- Auto Shutoff feature that is selectable between 15 to 75 seconds. Factory set to 45 seconds. Will reset once obstruction is removed.
- Adjustable sensing distance 76mm-381mm (3" to 15") factory set to 229mm (9") (±1.0")
- Low battery audible beep (for battery models only) will activate after faucet shuts off when approximately 1500 cycles remain.

Delta reserves the right (1) to make changes to specifications and materials, and (2) to change or discontinue models, both without notice or obligation. Dimensions are for reference. Measurement may vary plus or minus 6mm(0.25"). Mounting locations are suggested only. Check with local codes for requirements in your area. This spec was produced July 19, 2013.

Delta Faucet Company - 55 East 111th St. - Indianapolis, Indiana, USA 46280 - (317) 848-1812  
Delta Faucet Canada - 395 Matheson Blvd E - Mississauga, Ontario, Canada L4Z 2H2 - (905) 712-3030

Model No: 590T1128TR



Delta reserves the right (1) to make changes to specifications and materials, and (2) to change or discontinue models, both without notice or obligation. Dimensions are for reference. Measurement may vary plus or minus 6mm(0.25"). Mounting locations are suggested only. Check with local codes for requirements in your area. This spec was produced July 19, 2013.

Delta Faucet Company - 55 East 111th St. - Indianapolis, Indiana, USA 46280 - (317) 848-1812  
Delta Faucet Canada - 395 Matheson Blvd E - Mississauga, Ontario, Canada L4Z 2H2 - (905) 712-3030