



Lavatory Faucets

4" deck LESS pop-up - CER-TECK® ceramic structures

Model No: 27C4824-LS-TI

COMPLIES WITH:

- Verified to <0.25% Pb average wetted surface regulations
- CSA certified.
- Complies to ASME A112.18.1/CSA B125.1
- (Contact Delta Representative for State and/or Local Approvals)
- 102 mm (4") Blade Handle ADA compliant and meets Handicapped Accessibility Standard ICC/ANSI A117.1 of less than 5 lbs operating force



NOTES:

Verified to <0.25% Pb average wetted surface regulations

CA/VT Compliance:

This COMPLETE SERIES is ONLY available as CA/VT Compliant product as of Nov. 1, 2009.

The Product Numbers have NOT changed.

(Dimensional drawing on following page)

SPECIFICATION:

- HEAVY DUTY CAST BRASS sink faucet
- 102mm (4") centers, two handle
- Polished chrome plated finish
- Metal hold-down package
- Spout#: 8 - Gooseneck spout-4.5" radius -Standard rigid/swivel field installation-Vandal resistant .090" wall thickness(R2)
- Outlet#: 2 - Vandal Res. Laminar Flow Outlet- 1.5 GPM (5.7 L/Min) flow rate at 60 psi- with Antimicrobial by Agion®
- Handle#: 4 - 102 mm (4") Blade Handles- ADA Compliant-Sanitary Hoods- Metal-Color indexed-Vandal resistant screws
- Handle Temperature Indicators
- 120 degrees limited swing of spout (LS)

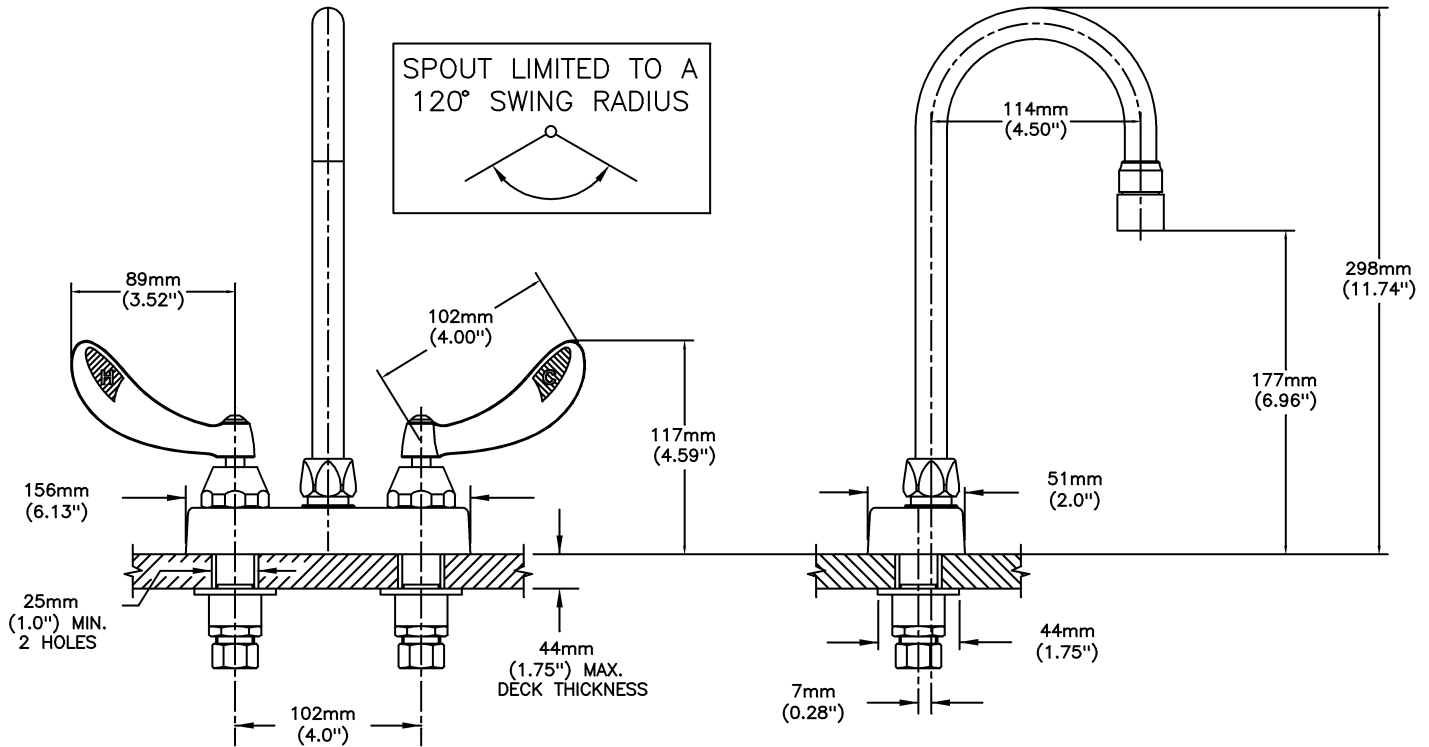
OPERATION:

- Not Available

Delta reserves the right (1) to make changes to specifications and materials, and (2) to change or discontinue models, both without notice or obligation. Dimensions are for reference. Measurement may vary plus or minus 6mm(0.25"). Mounting locations are suggested only. Check with local codes for requirements in your area. This spec was produced July 18, 2013.

Delta Faucet Company - 55 East 111th St. - Indianapolis, Indiana, USA 46280 - (317) 848-1812
Delta Faucet Canada - 395 Matheson Blvd E - Mississauga, Ontario, Canada L4Z 2H2 - (905) 712-3030

Model No: 27C4824-LS-TI



INLET FOR 3/8" OR 1/2" FLEXIBLE RISER
OR 1/2-14 NPSM COUPLING NUT (SUPPLIED)

Delta reserves the right (1) to make changes to specifications and materials, and (2) to change or discontinue models, both without notice or obligation. Dimensions are for reference. Measurement may vary plus or minus 6mm(0.25"). Mounting locations are suggested only. Check with local codes for requirements in your area. This spec was produced July 18, 2013.

Delta Faucet Company - 55 East 111th St. - Indianapolis, Indiana, USA 46280 - (317) 848-1812
Delta Faucet Canada - 395 Matheson Blvd E - Mississauga, Ontario, Canada L4Z 2H2 - (905) 712-3030