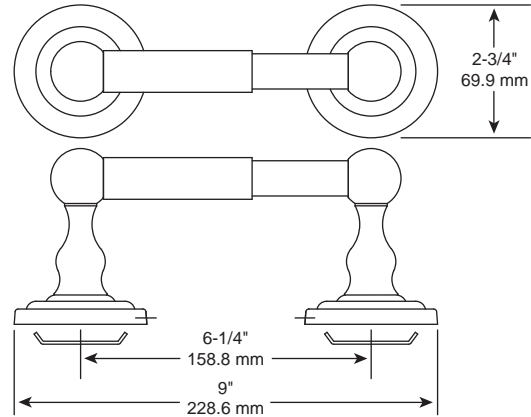
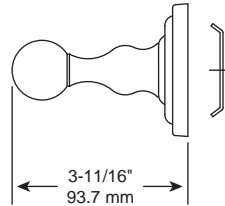


TECHNICAL DATA

Greenwich[®]

TOILET PAPER HOLDER



MATERIALS:

Base Plate and Posts - Zinc Die Cast
Roller - Plastic
Wall Plate - Steel, Zinc Plated

INSTALLATION:

Mount wall plate bracket(s) per installation instructions with supplied fasteners. Slip product over wall plate(s) and tighten set screws until secure.

OPTIONAL FASTENER INFORMATION:

Wood blocking is preferable behind all wall surfaces. If wood blocking is not available, the following fasteners are suggested: Tile/Masonry - Plastic or Lead Anchors, Plaster/Drywall - Toggle Bolts.

SPECIFICATION:

Surface mounted toilet paper holder shall be model _____
(fill in model number) by Liberty Hardware Manufacturing Corporation.