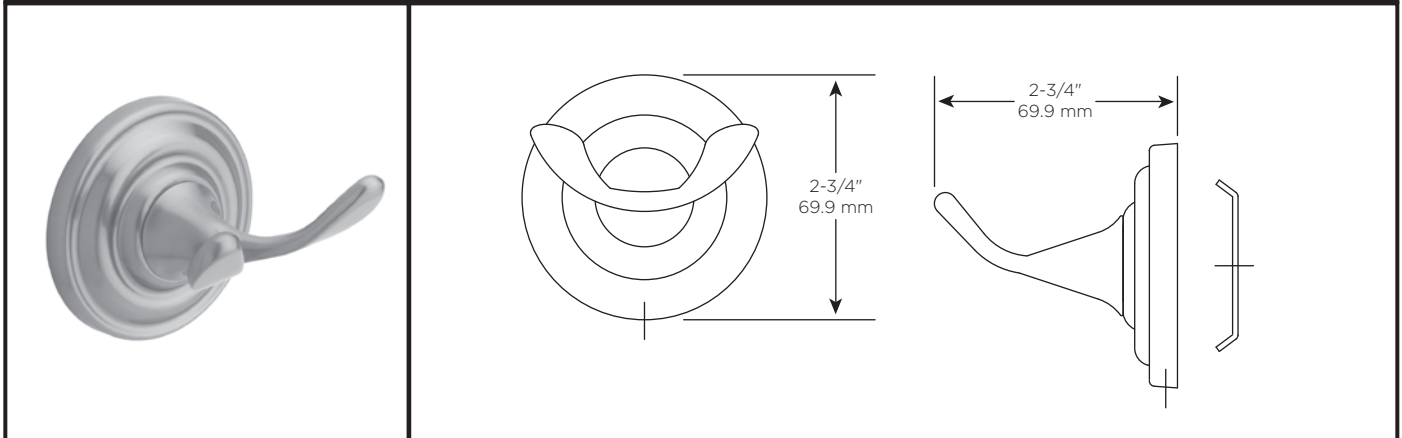


TECHNICAL DATA

Greenwich®

DOUBLE ROBE HOOK



MATERIALS: Base Plate and Hook - Zinc Die Cast
 Wall Plate - Steel x 19 Gauge, Zinc Plated

OPTIONAL FASTENER INFORMATION:
 Wood blocking is preferable behind all wall surfaces. If wood blocking is not available, the following fasteners are suggested: Tile/Masonry - Plastic or Lead Anchors, Plaster/Drywall -Toggle Bolts.

SPECIFICATION: Surface mounted double robe hook shall be made _____
 (fill in model number) by Liberty Hardware Manufacturing Corporation.

