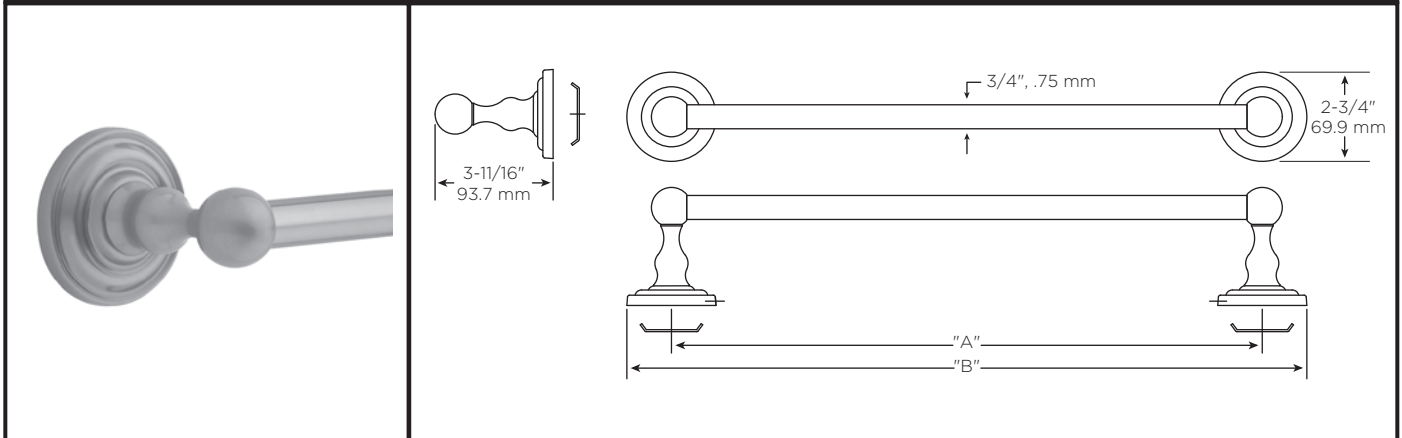


TECHNICAL DATA

Greenwich®

18 in & 24 in. TOWEL BAR



MATERIALS: Base Plate and Post - Zinc Die Cast
 Bar - Aluminum Tube
 Wall Plate - Steel x 19 Gauge, Zinc Plated

OPTIONAL FASTENER INFORMATION:
 Wood blocking is preferable behind all wall surfaces. If wood blocking is not available, the following fasteners are suggested: Tile/Masonry - Plastic or Lead Anchors, Plaster/Drywall - Toggle Bolts.

SPECIFICATION: Surface mounted towel bar shall be model _____
 (fill in model number) by Liberty Hardware Manufacturing Corporation.

LENGTH	18" (457 mm)	24" (610 mm)
DIM "A"	18-1/4" (463.6 mm)	24-1/4" (615.9 mm)
DIM "B"	21" (533.4 mm)	27" (685.8 mm)

