

# Single Water Faucets – Deckmount

**TECK®**  
COMMERCIAL



## Features:

- Fits a maximum 1-1/2" diameter hole (1" diameter hole recommended)
- Teck® rigid/swivel gooseneck
  - unique design permits field installation as a rigid or swivel gooseneck
  - heavy-duty gooseneck made from seamless brass pipe
- All brass body with deck flange – **No Vandal Resistant Locking Pin**
- Raised lockwasher to provide positive gripping during installation
- Teck® Lab structure
- C.P. renewable brass seat
- Two handle variations
  - 2 arm Teck® Lab handle
  - ADA compliant 2-3/4" lever handle
- Two vacuum breaker variations
  - Angled atmospheric vacuum breaker. Brass construction with durable silicone disk allowing high heat and water hammer shock resistance. Provides superior performance when used with aspirator assemblies
  - Dual check in-line vacuum breaker resulting in above average flow rate and consequently lower pressure loss
- Gooseneck can be oriented to suit left, center, or right handle operation

## 2 Arm Lab Handle Product

### With Gooseneck Spout

- W6601**  
Deckmount single faucet with rigid/swivel gooseneck complete with deck flange, 1/4" I.D. 10 serration nozzle, shank, locknut, lockwasher, 2 arm lab handle, Teck® Lab structure, C.P. renewable brass seat, 1/4" NPT tailpiece and coupling nut
- W6601-9**  
As W6601, but with in-line dual check vacuum breaker and nozzle

### With Angle Vacuum Breaker Spout

- W6601-10**  
Deckmount single faucet with rigid/swivel angle vacuum breaker spout, complete with deck flange, 1/4" I.D. 10 serration nozzle, shank, locknut, lockwasher, 2 arm lab handle, Teck® Lab structure, C.P. renewable brass seat, 1/4" NPT tailpiece and coupling nut



## ADA Compliant 2-3/4" Lever Blade Handle Product

### With Gooseneck Spout

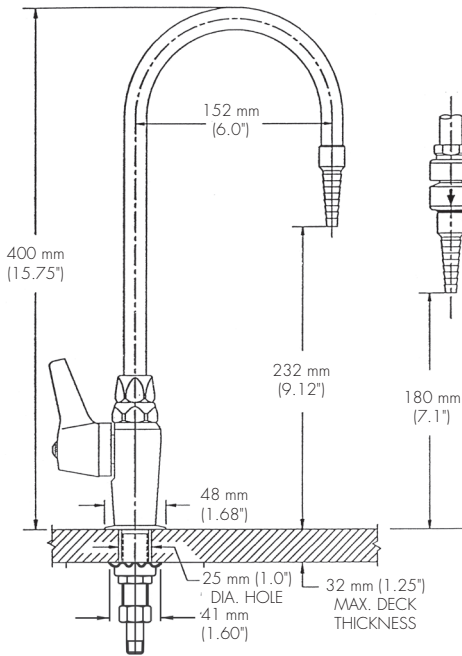
- W6601-C**  
Deckmount single faucet with rigid/swivel gooseneck complete with deck flange, 1/4" I.D. 10 serration nozzle, shank, locknut, lockwasher, ADA compliant 2-3/4" lever blade handle, Teck® Lab structure, C.P. renewable brass seat, 1/4" NPT tailpiece and coupling nut
- W6601-9-C**  
As W6601-C, but with in-line dual check vacuum breaker and nozzle

### With Angle Vacuum Breaker Spout

- W6601-10-C**  
Deckmount single faucet with rigid/swivel angle vacuum breaker spout, complete with deck flange, 1/4" I.D. 10 serration nozzle, shank, locknut, lockwasher, ADA compliant 2-3/4" lever blade handle, Teck® Lab structure, C.P. renewable brass seat, 1/4" NPT tailpiece and coupling nut

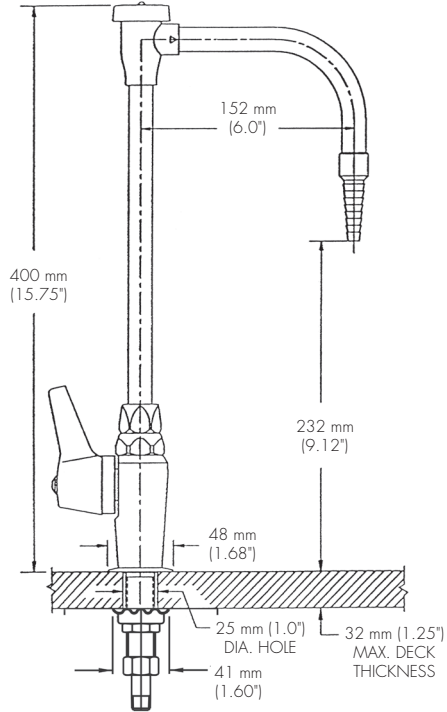
- W6601** (2 Arm)
- W6601-C** (Lever – shown)

- W6601-10** (2 Arm)
- W6601-10-C** (Lever – shown)

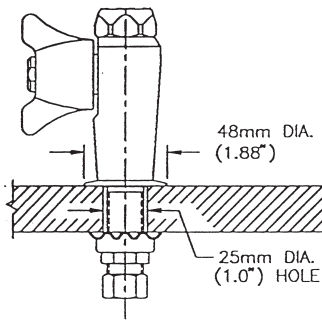


- W6601-9** (2 Arm)
- W6601-9-C** (Lever)

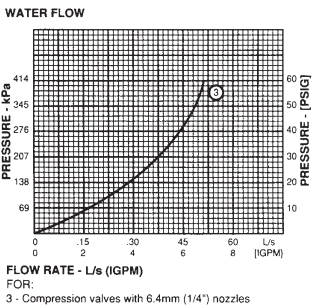
**Maximum**  
 1 1/2" Diameter  
 Shank Hole,  
 1" Diameter  
 Recommended



### 2 Arm Metal Handle



**Note:** When product is used with potable water, it is suggested that plumbing code requirements for back-flow prevention be reviewed.



**FOR OPTIONAL  
 RIGID/SWIVEL  
 SPOUTS**  
 See DSP-LABSPOpt for  
 detailed specification

### Approvals and Standards Met:

CSA certified.  
 Complies to ASME A112.18.1/CSA B125.1

Indicates compliance to ICC/ANSI A117.1  
 when 2-3/4" lever blade handle is used

In-line VB tested and approved in conformance with ASSE 1035  
 "Laboratory Faucet Vacuum Breakers".

CSA certified to B64.7

Angle VB tested and approved in conformance with ASSE 1001 and  
 CSA B64.1.1

Note: Measurements may vary ± 6mm (0.25")