



## Single Water Faucets

Deckmount single faucet with rigid/swivel spout fits a maximum 1-1/4" diameter hole

### Model No: W6600

#### COMPLIES WITH:

- CSA approved to CAN/CSA B125 with compliance to ANSI/ASME A112.18.1M.
- Meets ADA 5lb. force pressure requirements when 2 3/4" or 4" lever blade handle is used.
- In-line Vacuum Breaker tested and certified under ANSI/ASSE Std. 1035 "Laboratory Faucet Vacuum Breakers". Listed by IAPMO. CSA approved to CAN/CSA B64.1.7
- Angle Vacuum Breaker tested and approved in conformance with ASSE Std. 1001 and ANSI A112.1.1 and CSA B64.1.1
- (Contact Delta Representative for State and/or Local Approvals)

#### SPECIFICATION:

- Deckmount single water faucet for MAXIMUM 1 1/4" dia. hole
- Field installation of spout as rigid or swivel
- All brass body with vandal resistant locking pin to prevent damage to counter top(can be removed in field if not required)
- Assembled shank
- Brass locknut and raised lockwasher to provide positive gripping during installation
- Teck Lab compression structure
- Chrome plated brass renewable seat
- Spout can be oriented to suit left, center, or right side handle operation
- Deckmount single faucet with rigid/swivel spout, fits a maximum 1-1/4" diameter hole
- Chrome Finish
- Spout: R5 - Gooseneck-6.0" radius-12.0" height(unmounted)-Standard rigid/swivel field installation unless LS Limited swing option selected-Vandal resistant .090" wall thickness
- Outlet: w/ 1/4" ID Serrated Nozzle Outlet(No Dash or -10 series)
- Handle#: B - Two Arm Metal
- Indexed For: CW - Cold Water(Green)-80 psi max

#### OPERATION:

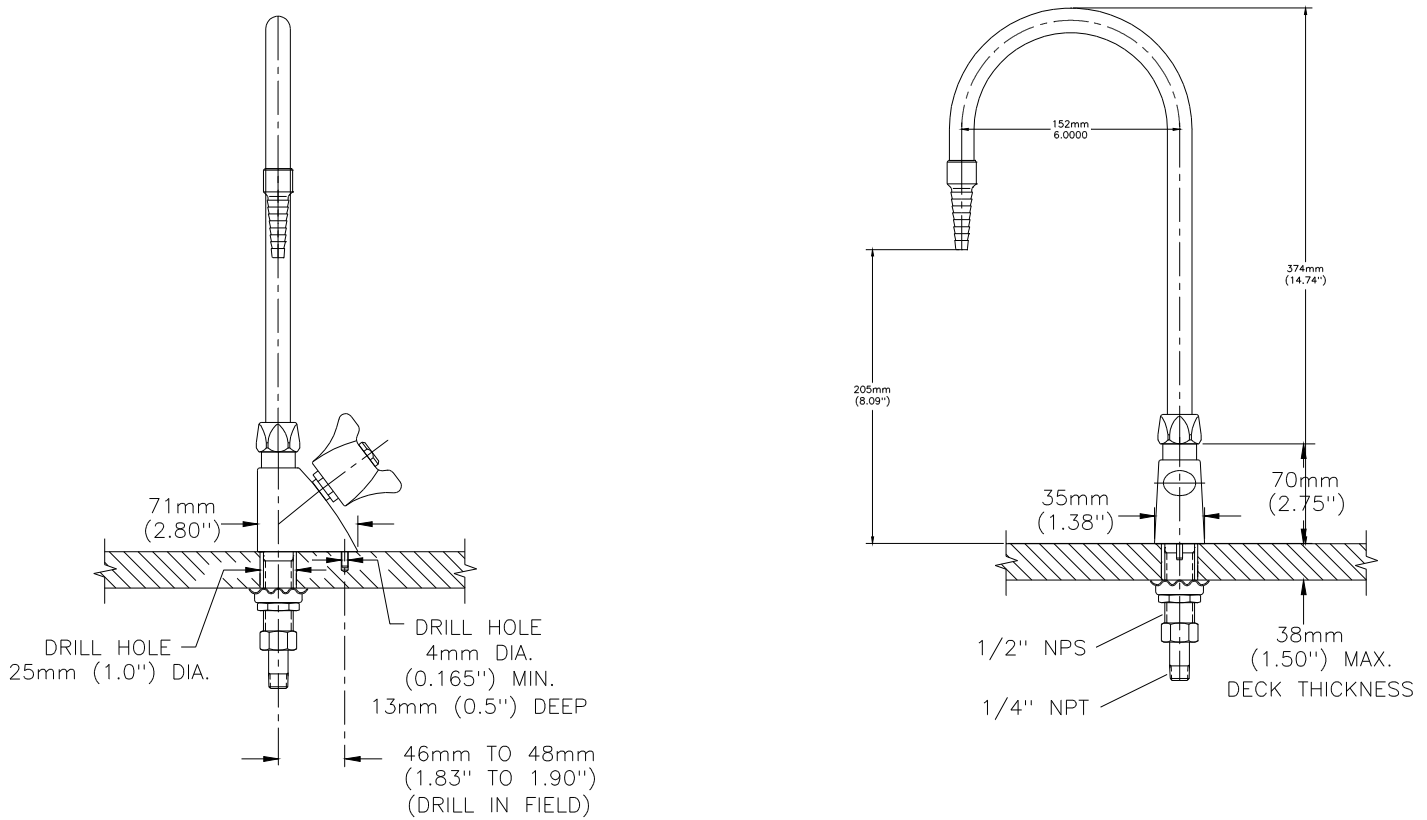
- Not Available

***(Dimensional drawing on following page)***

Delta reserves the right (1) to make changes to specifications and materials, and (2) to change or discontinue models, both without notice or obligation. Dimensions are for reference. Measurement may vary plus or minus 6mm(0.25"). Mounting locations are suggested only. Check with local codes for requirements in your area.

Delta Faucet Company - 55 East 111th St. - Indianapolis, Indiana, USA 46280 - (317) 848-1812  
Delta Faucet Canada - 395 Matheson Blvd E - Mississauga, Ontario, Canada L4Z 2H2 - (905) 712-3030

Model No: W6600



Delta reserves the right (1) to make changes to specifications and materials, and (2) to change or discontinue models, both without notice or obligation. Dimensions are for reference. Measurement may vary plus or minus 6mm(0.25"). Mounting locations are suggested only. Check with local codes for requirements in your area.

Delta Faucet Company - 55 East 111th St. - Indianapolis, Indiana, USA 46280 - (317) 848-1812  
 Delta Faucet Canada - 395 Matheson Blvd E - Mississauga, Ontario, Canada L4Z 2H2 - (905) 712-3030