




Single Water Faucets

Deckmount single faucet with rigid/swivel spout
fits a maximum 1-1/2" diameter hole

Model No: W6601-9

COMPLIES WITH:

- CSA certified
- Complies to ASME A112.18.1/CSA B125.1
-  Indicates compliance to ICC/ANSI A117.1 When 2-3/4" lever blade handle is used
- In-line VB tested and approved in conformance with ASSE 1035 "Laboratory Faucet Vacuum Breakers". CSA certified to B64.7
- Angle VB tested and approved in conformance with ASSE 1001 and CSA B64.1.1
- Not for potable water.
- (Contact Delta Representative for State and/or Local Approvals)



SPECIFICATION:

- Cast brass body
- Assembled shank
- Brass locknut and raised lockwasher to provide positive gripping during installation
- Teck Lab compression structure
- Chrome plated brass renewable seat
- 1/4" NPT tailpiece and coupling nut
- Spout can be oriented to suit left, center, or right side handle operation
- Deckmount single faucet with rigid/swivel spout, fits a maximum 1-1/2" diameter hole
- Chrome Finish
- Spout: R5 - Gooseneck-6.0" spout reach -12.0" height(unmounted)- Standard rigid/swivel field installation unless LS Limited swing option selected-Vandal resistant .090" wall thickness
- Outlet#: 9 - w/ 1/4" ID Serrated Nozzle Outlet Plus In-Line Dual Check Vacuum Breaker(-9 series)
- Handle#: B - Two Arm Metal
- Indexed For: CW - Cold Water(Green)[60psi-max.]
- Check piston located in nozzle to prevent contamination of service lines and valve sealing surfaces (with exception of vacuum service)
- Factory tested to 125 psi
- Use of this ball valve above 40 psi requires special clamping procedures by others to ensure that any hoses attached to nozzle do not blow off
- Can be converted to Air valve only.

OPERATION:

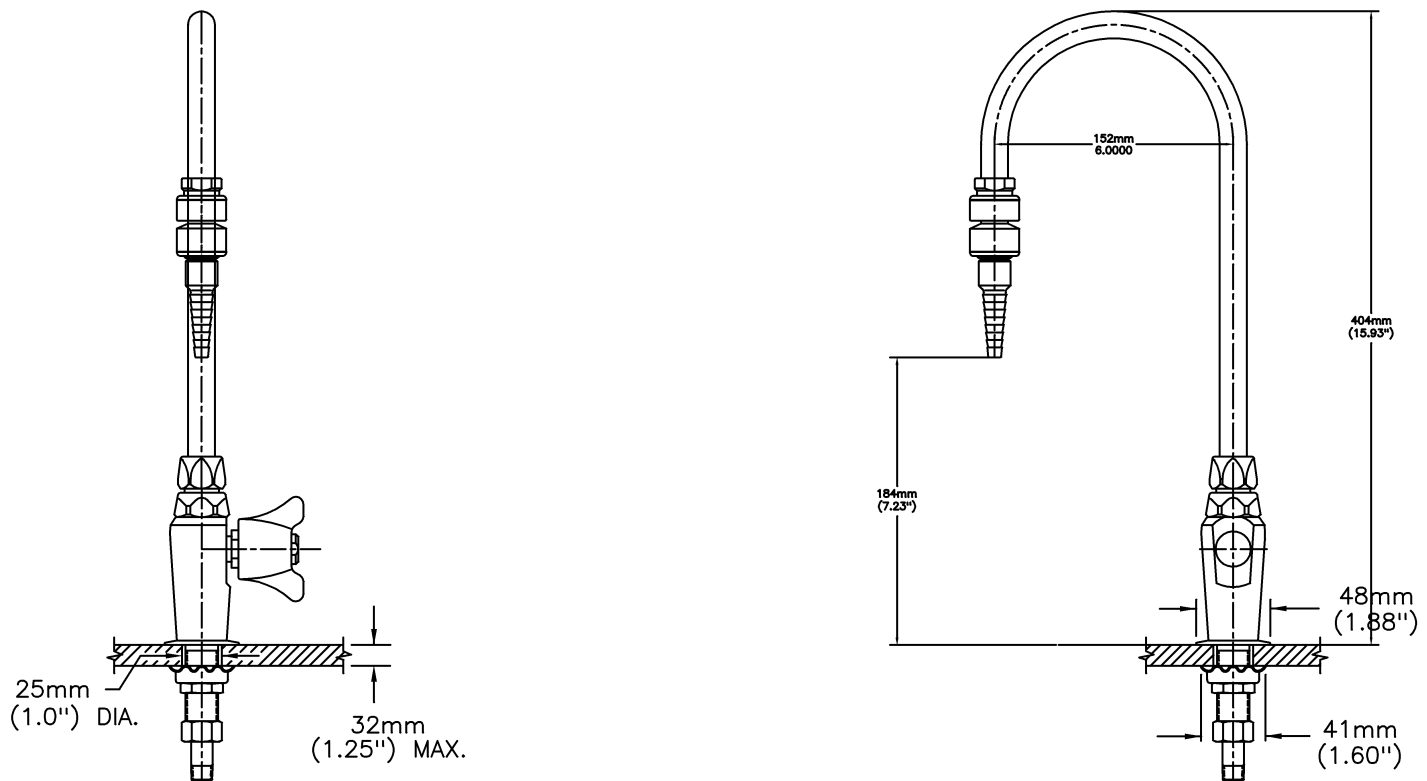
- Not Available

(Dimensional drawing on following page)

Delta reserves the right (1) to make changes to specifications and materials, and (2) to change or discontinue models, both without notice or obligation. Dimensions are for reference. Measurement may vary plus or minus 6mm(0.25"). Mounting locations are suggested only. Check with local codes for requirements in your area. This spec was produced April 16, 2021.

Delta Faucet Company - 55 East 111th St. - Indianapolis, Indiana, USA 46280 - (317) 848-1812
Delta Faucet Canada - 395 Matheson Blvd E - Mississauga, Ontario, Canada L4Z 2H2 - (905) 712-3030

Model No: W6601-9



INLET FOR 3/8" OR 1/2" FLEXIBLE RISER
 OR 1/2-14 NPSM COUPLING NUT (SUPPLIED)
 OR 1/4 MIP TAIL (SUPPLIED)

Delta reserves the right (1) to make changes to specifications and materials, and (2) to change or discontinue models, both without notice or obligation. Dimensions are for reference. Measurement may vary plus or minus 6mm(0.25"). Mounting locations are suggested only. Check with local codes for requirements in your area. This spec was produced April 16, 2021.

Delta Faucet Company - 55 East 111th St. - Indianapolis, Indiana, USA 46280 - (317) 848-1812
 Delta Faucet Canada - 395 Matheson Blvd E - Mississauga, Ontario, Canada L4Z 2H2 - (905) 712-3030