




Single Water Faucets

Deckmount single faucet with rigid/swivel spout
fits a maximum 1-1/4" diameter hole

Model No: W6600-10-C

COMPLIES WITH:

- CSA certified
- Complies to ASME A112.18.1/CSA B125.1
-  Indicates compliance to ICC/ANSI A117.1 When 2-3/4" lever blade handle is used
- In-line VB tested and approved in conformance with ASSE 1035 "Laboratory Faucet Vacuum Breakers". CSA certified to B64.7
- Angle VB tested and approved in conformance with ASSE 1001 and CSA B64.1.1
- Not for potable water.
- ADA compliant and meets Handicapped Accessibility Standard ASME A117.1 of less than 5 lbs. operating force when lever blade handle is used
- Tested and approved under ASSE 1001 and CSA B64.1.1.
- (Contact Delta Representative for State and/or Local Approvals)



SPECIFICATION:

- Deckmount single faucet with rigid/swivel spout, fits a maximum 1-1/4" diameter hole
- All brass body with vandal resistant locking pin to prevent damage to counter top (can be removed in field if not required)
- Assembled shank
- Brass locknut and raised lockwasher to provide positive gripping during installation
- Teck Lab compression structure
- Chrome plated brass renewable seat
- 1/4" NPT tailpiece and coupling nut
- Spout can be oriented to suit left, center, or right side handle operation
- Deckmount single faucet with rigid/swivel spout, fits a maximum 1-1/4" diameter hole
- Chrome Finish
- Spout: R23 - 152 mm (6") Angle VB Spout
- Outlet: w/ 1/4" ID Serrated Nozzle Outlet (No Dash or -10 series)
- Handle#: C - 70 mm (2-3/4") ADA compliant Lever Blade Handle-Metal-Color indexed
- Indexed For: CW - Cold Water (Green) [60psi-max.]
- Check piston located in nozzle to prevent contamination of service lines and valve sealing surfaces (with exception of vacuum service)
- Factory tested to 125 psi
- Use of this ball valve above 40 psi requires special clamping procedures by others to ensure that any hoses attached to nozzle do not blow off
- Can be converted to Air valve only.

OPERATION:

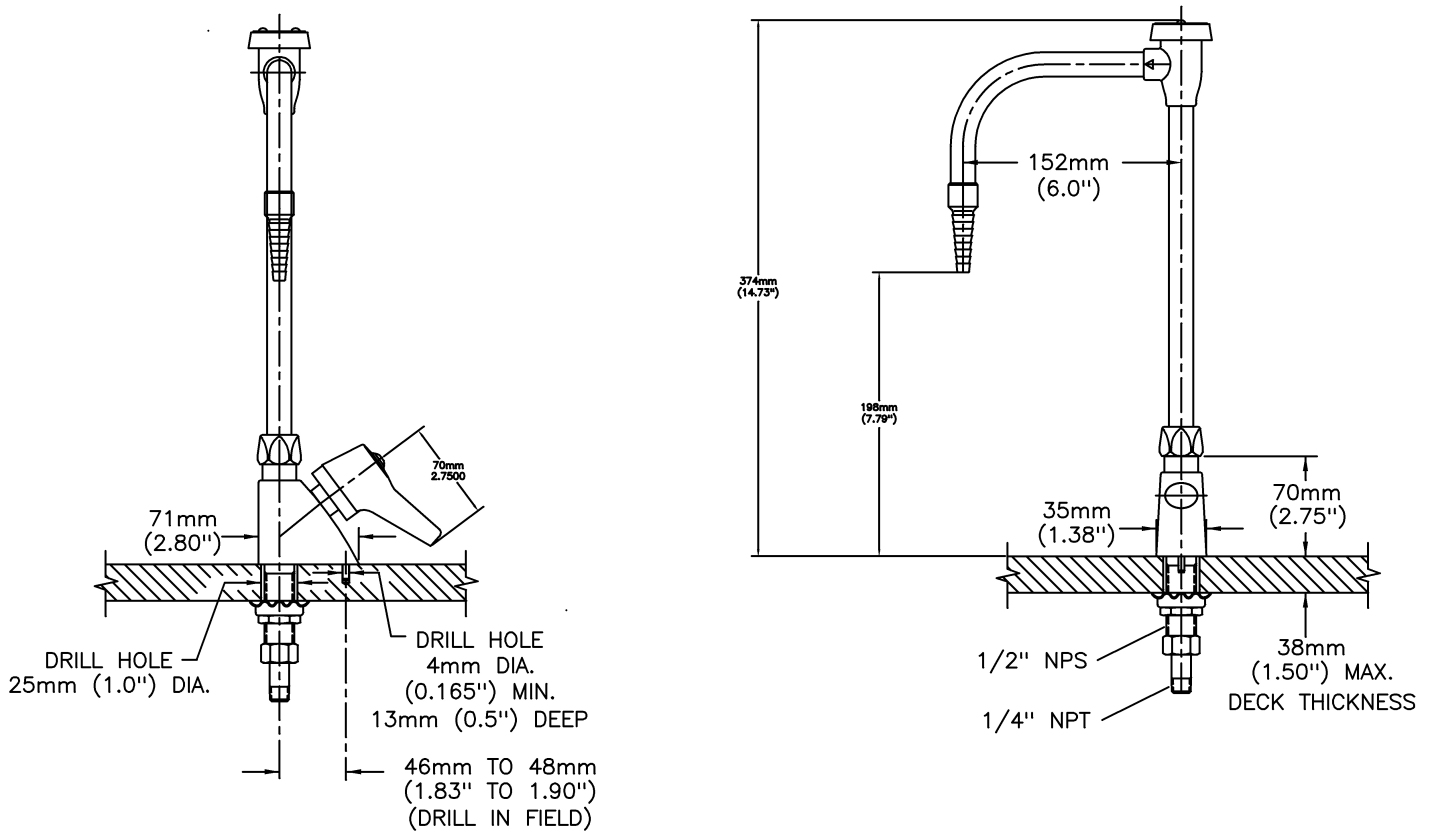
- Not Available

(Dimensional drawing on following page)

Delta reserves the right (1) to make changes to specifications and materials, and (2) to change or discontinue models, both without notice or obligation. Dimensions are for reference. Measurement may vary plus or minus 6mm(0.25"). Mounting locations are suggested only. Check with local codes for requirements in your area. This spec was produced April 15, 2021.

Delta Faucet Company - 55 East 111th St. - Indianapolis, Indiana, USA 46280 - (317) 848-1812
Delta Faucet Canada - 395 Matheson Blvd E - Mississauga, Ontario, Canada L4Z 2H2 - (905) 712-3030

Model No: W6600-10-C



Delta reserves the right (1) to make changes to specifications and materials, and (2) to change or discontinue models, both without notice or obligation. Dimensions are for reference. Measurement may vary plus or minus 6mm(0.25"). Mounting locations are suggested only. Check with local codes for requirements in your area. This spec was produced April 15, 2021.

Delta Faucet Company - 55 East 111th St. - Indianapolis, Indiana, USA 46280 - (317) 848-1812
 Delta Faucet Canada - 395 Matheson Blvd E - Mississauga, Ontario, Canada L4Z 2H2 - (905) 712-3030