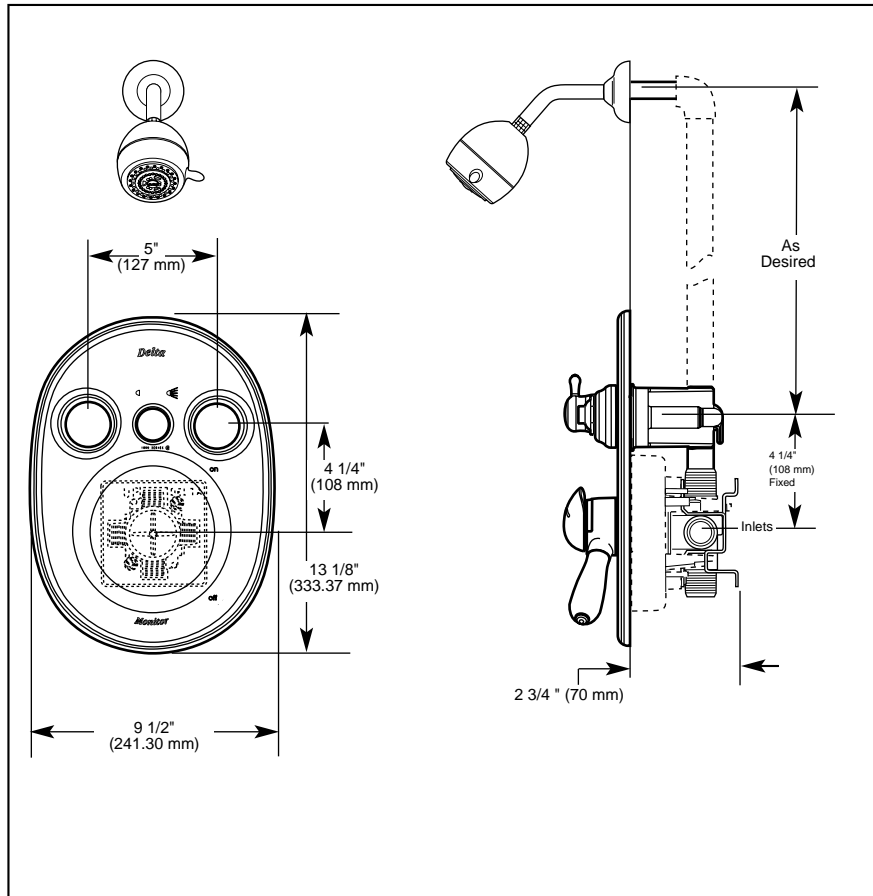
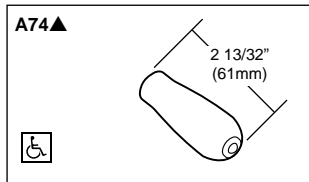
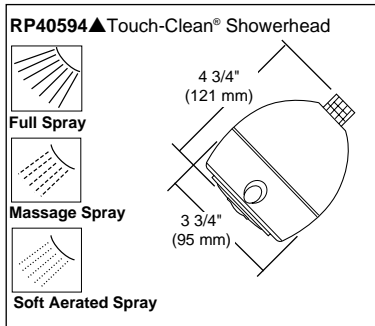


Submitted Model No.: \_\_\_\_\_  
 Specific Features: \_\_\_\_\_



▲ Designate proper finish suffix



# DELTA

## TUB AND SHOWER JETTED SHOWER™ TRIM

- Innovations® Collection
- Shower Only

### STANDARD SPECIFICATIONS:

- Monitor® 18 Series pressure balanced bath mixing valve with Scald-Guard®.
- Maintains a balanced pressure of hot and cold water even when a valve is turned on or off elsewhere in the system.
- Must also order R18222 Jetted Shower XO™ or R18224 Jetted Shower™ rough valve body.
- Back to back installation capability.
- Lever volume control handle; temperature adjustment dial.
- Red and Blue graphics indicate hot/cold temperature adjustment.
- Field adjustable to limit handle rotation into hot water zone.
- Maximum dial rotation adjustable between 90° and 180°.
- All parts are replaceable from the front of the valve.
- Adjusts for up to 1" wall thickness.

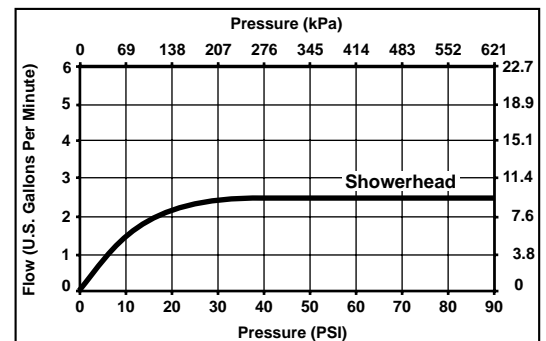
### WARRANTY

- Lifetime Faucet and Finish Limited Warranty to the original consumer purchaser to be free from defects in material and workmanship.
- 5 Year Limited Warranty for usage in all industrial, commercial and business applications.



### COMPLETE VALVE COMPLIES WITH:

- ASME A112.18.1 / CSA B125.1
- ASSE 1016
- ☐ Indicates ADA compliance to ICC/ANSI A117.1
- CSA Certified
- IAPMO Listed



55 E. 111th Street, Indianapolis, Indiana 46280  
 395 Matheson Blvd. E., Mississauga, ON L4Z 2H2  
 © 2008 Masco Corporation of Indiana

Delta reserves the right (1) to make changes in specifications and materials, and (2) to change or discontinue models, both without notice or obligation. Dimensions are for reference only. See current full-line price book or www.specselect.com for finish options and product availability.