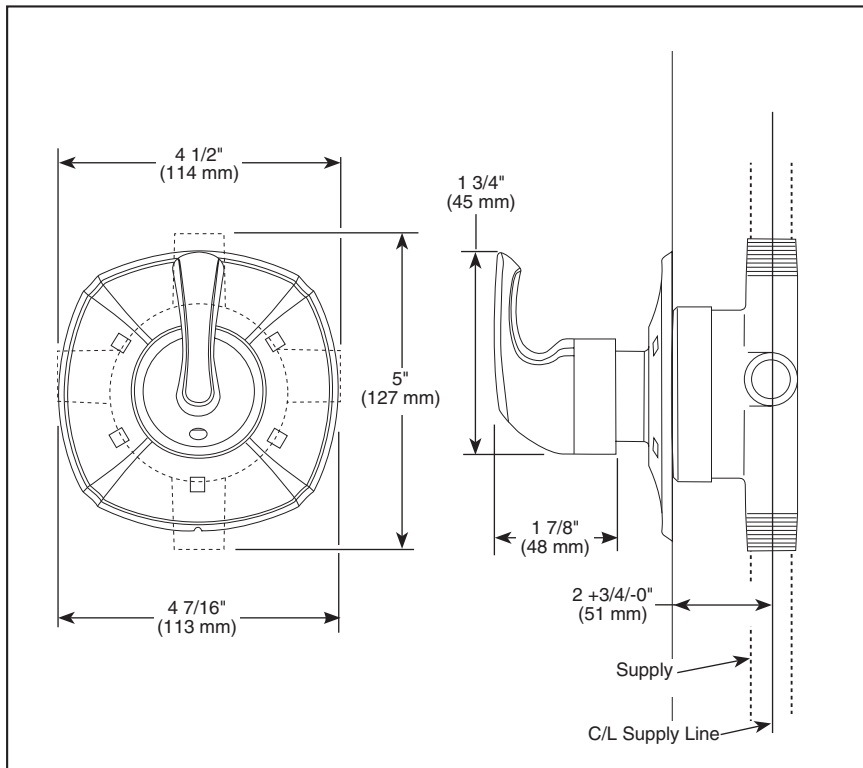


T11692 ▲



Submitted Model No.: _____

Specific Features: _____



▲ = Designate Proper Finish Suffix



CUSTOM SHOWER DIVERTER

- Addison™ Collection
- Six Function Diverter
- 1/2" Rough-In

STANDARD SPECIFICATIONS

- Six function diverter.
- 3 individual positions, 3 shared positions.
- 1/2" rough-in.

WARRANTY

- Lifetime Faucet and Finish Limited Warranty to the original consumer purchaser to be free from defects in material and workmanship.
- 5 Year Limited Warranty for usage in all industrial, commercial and business applications.

COMPLIES WITH:

- Indicates compliance to ICC/ANSI A117.1

Delta reserves the right (1) to make changes in specifications and materials, and (2) to change or discontinue models, both without notice or obligation. Dimensions are for reference only. See current full-line price book or www.specselect.com for finish options and product availability.

DSP-B-T11692 Rev. A



55 E. 111th Street, Indianapolis, Indiana 46280
 395 Matheson Blvd. E., Mississauga, ON L4Z 2H2
 © 2009 Masco Corporation of Indiana