



COMMERCIAL



T13H Series - MultiChoice® Universal Pressure Balance Tub and Shower System

T13H232

Description

This polished chrome-plated fixture features a pressure balance cartridge that ensures a stable water flow and temperature. The temperature is controlled solely through the handle, which can be adjusted to limit rotation into the hot water zone. The cartridge also includes integral checks to prevent the mixing of hot and cold water. Rated for a minimum flow rate of 1.2 gpm @ 45 psi (4.5 L/min @ 310 kPa), this fixture comes with a non-removable blue/red visual cover indicator to indicate the handle positions for cold, mixing, and hot water. It includes a 1/2" IPS metal spout with a pull-up diverter and an ADA-compliant diverter handle. The ADA-compliant metal lever handle measures 3.375" (86 mm) in length. It also features a shower #3 with a shower head, arm, and flange. The maximum flow rate for the shower is 1.5 gpm @ 80 psi (5.7 L/min @ 552 kPa), while the minimum flow rate is 1.13 gpm @ 45 psi (4.3 L/min @ 310 kPa).

Specifications

- Finish: Polished chrome plated
- Cartridge: Pressure Balance
- Temperature Control: Handle only
- Field Adjustable: Yes, to limit handle rotation into hot water zone
- Crossflow Prevention: Integral checks in cartridge prevent crossflow between Hot and Cold water inlets
- Cartridge Minimum Flow Rating: 1.2 gpm @ 45 psi (4.5 L/min @ 310 kPa)
- Handle Position Indicator: Non-removable Blue/Red visual cover indicator for Cold, Mixing, and Hot handle positions
- Spout: - 1/2" IPS metal spout with pull up diverter
- Diverter Handle: ADA-compliant diverter handle
- Handle #2: Metal Lever Handle, ADA-compliant, measuring 3.375" (86 mm) in length
- Shower #3: Shower Head, Arm & Flange
- Shower #3 - Flow Rate Max. - 1.5 gpm @ 80 psi (5.7 L/min @ 552 kPa)
- Shower #3 - Flow Rate Min. - 1.13 gpm @ 45 psi (4.3 L/min @ 310 kPa)

Required Accessories

- Rough-in - R10000-UNWS - ordered separately



Complies With

- ASME A112.18.1 / CSA B125.1
- Pressure Balance and Diverter lever handles are compliant to ICC / ANSI A117.1
- EPA WaterSense® listed
- Pressure Balance Valve ASSE 1016



Certified by
CSA Group
Shower Head
Pomme de douche



Lever Handle
Only
Poignée à levier
seulement

(Contact Delta Representative for State and/or Local Approvals)

WaterSense® is a registered trademark of the U.S. Environmental Protection Agency.

Max. flow rates are at 80 psi (552 kPa), Min. flow rates @ 45 psi (310 kPa)

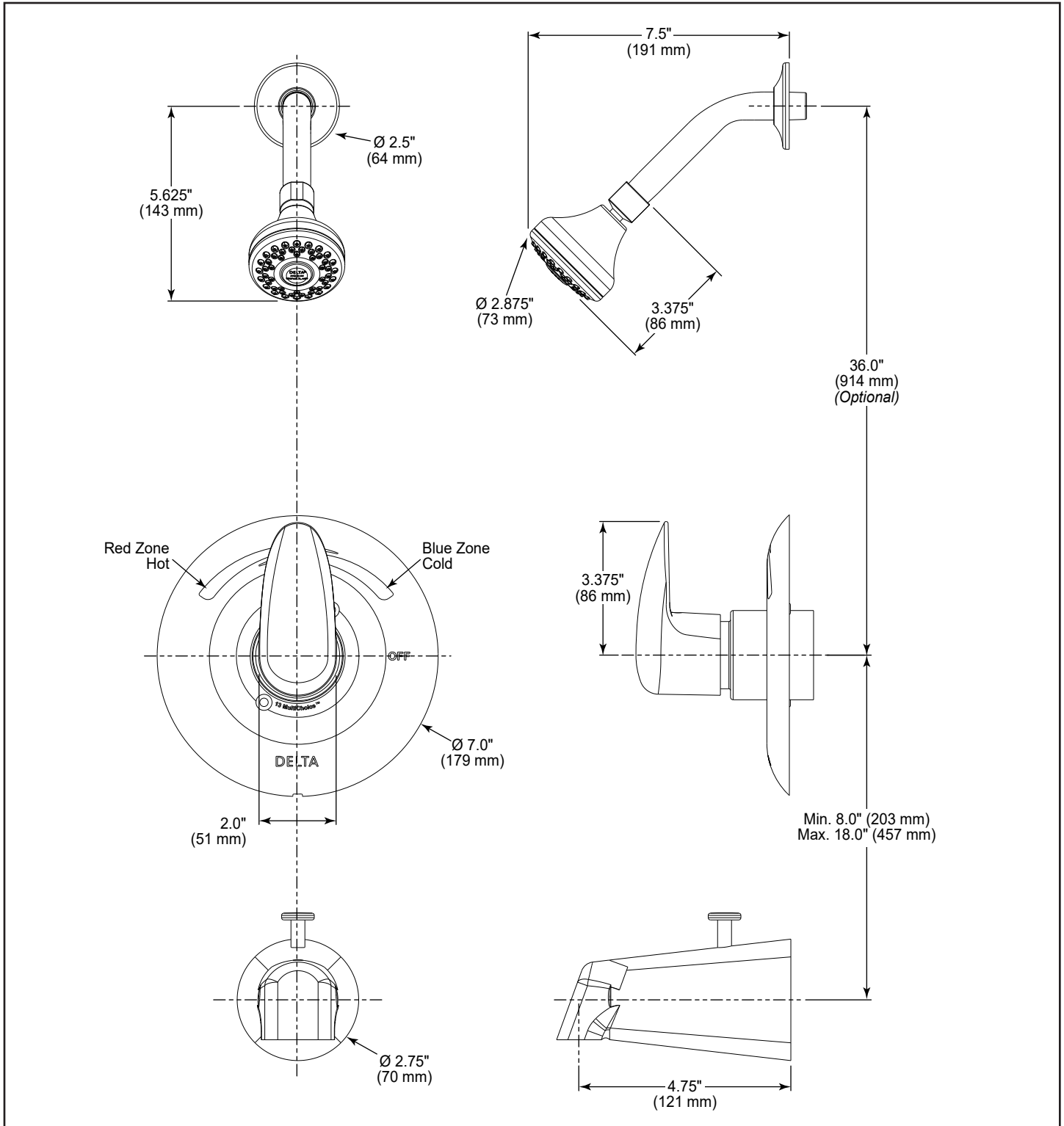
Delta Faucet Company reserves the right (1) to make changes in specifications and materials, and (2) to change or discontinue models, both without notice or obligation. Check with local codes for requirements in your area.

Masco Canada Limited
350 South Edgeware Rd, St Thomas, Ontario, Canada N5P 4L1
1-800-387-8277

T13H232

This specification sheet was produced on December 19, 2023.

T13H232



NOTICE • Dimensions are for reference **ONLY**.
• Measurements may vary $\pm 0.25''$ (6 mm).

WaterSense® is a registered trademark of the U.S. Environmental Protection Agency.

Max. flow rates are at 80 psi (552 kPa), Min. flow rates @ 45 psi (310 kPa)

Delta Faucet Company reserves the right (1) to make changes in specifications and materials, and (2) to change or discontinue models, both without notice or obligation. Check with local codes for requirements in your area.

Masco Canada Limited
350 South Edgeware Rd, St Thomas, Ontario, Canada N5P 4L1
1-800-387-8277

T13H232

This specification sheet was produced on December 19, 2023.