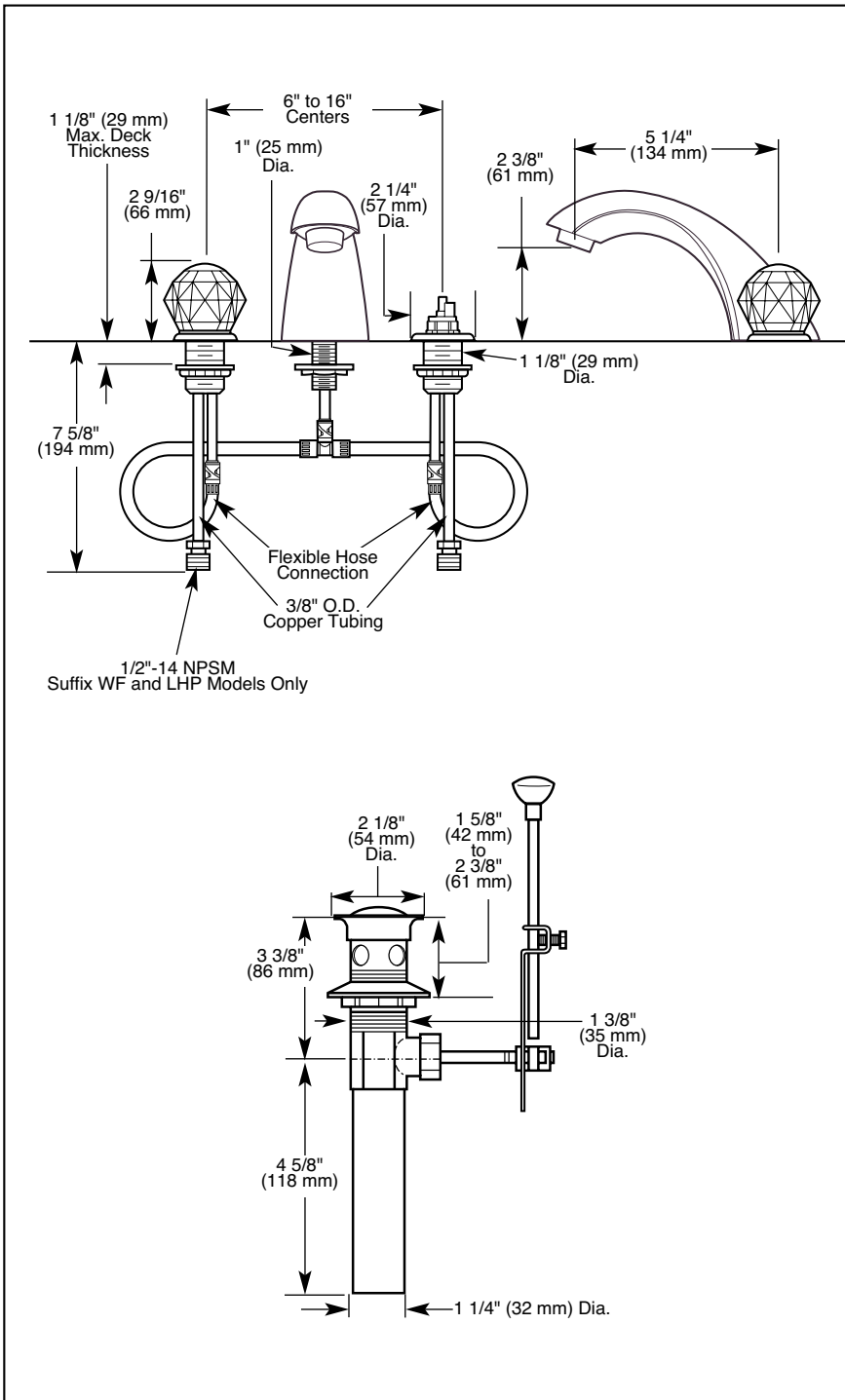


3530-MPU

3530-LHP

Submitted Model No.: \_\_\_\_\_

Specific Features: \_\_\_\_\_



# DELTA<sup>®</sup>

## LAVATORY FAUCETS

- Two Handle
- Innovations<sup>®</sup> Series
- Widespread
- Three Hole Sink Applications
- 6" to 16" Centers
- Quick-Snap<sup>®</sup> Installation



**LISTED**  
UL Listed to US and Canadian  
Safety Standards and Classified I  
in accordance with  
ANSI/NSF 61Q  
21PL

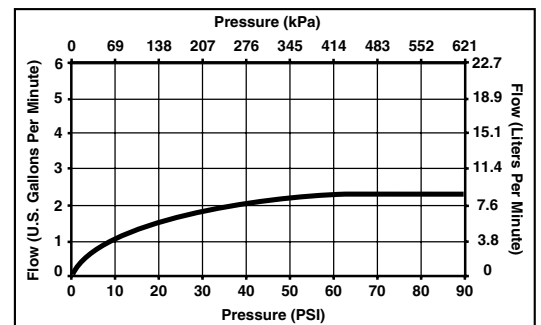


### COMPLIES WITH:

- ASME A112.18.1
- CSA B125
- Indicates ADA compliance to ICC/ANSI A117.1
- IAPMO Listed
- CSA Certified
- ASTM F409 (for non-metallic drain)

### STANDARD SPECIFICATIONS:

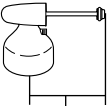

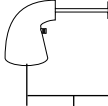

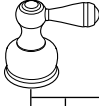

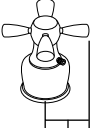

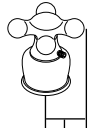

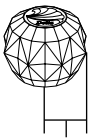
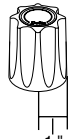
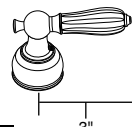

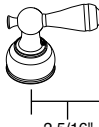

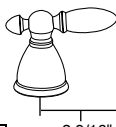

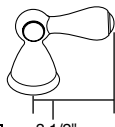

- Two handle lavatory faucets for concealed mounting on three hole sinks.
- Widespread - 6" (152mm) to 16" (406 mm) centers.
- Quick-Snap<sup>®</sup> installation.
- 1/4 turn stops.
- Solid brass fabricated end valve and spout bodies.
- 5 1/4" (133 mm) long, 3 7/8" (98 mm) high, rigid spout.
- Hot and cold stems are interchangeable.
- Control mechanism shall be of the rotating cylinder type with stainless steel plate and 180° rotation, with replaceable non-metallic seats operating in stainless steel lined sockets.
- 3/8" O.D. copper supply tubes.
- Models with suffix "WF" and "LHP" supplied with 1/2"-14 NPSM adapters.
- Models have metal drain with pop-up type fitting with plated flange and stopper.



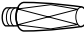











Delta reserves the right (1) to make changes in specifications and materials, and (2) to change or discontinue models, both without notice or obligation. Dimensions are for reference only.

Standard Features	3530-CBLHP	3530-LHP	3530-NCLHP	3530-NNLHP	3530-NPLHP	3530-PBLHP	3530-PBWF	3530-WFMPU	3530-WHLHP
Washerless	◆	◆	◆	◆	◆	◆	◆	◆	◆
Three Hole Installation	◆	◆	◆	◆	◆	◆	◆	◆	◆
6" (152 mm) to 16" (406 mm) Widespread	◆	◆	◆	◆	◆	◆	◆	◆	◆
4 1/4" (134 mm) Long, 3 7/8" (98 mm) High, Rigid Spout	◆	◆	◆	◆	◆	◆	◆	◆	◆
Brass Stems & 1/4 Turn Stops	◆	◆	◆	◆	◆	◆			◆
Quick Connect Hose Assembly & Self Locating Bases	◆	◆	◆	◆	◆	◆	◆	◆	◆
Clear Knob Handles with Red/Blue Indicators (H41)							◆	◆	
Less Handle Program See Handle Kit Options*	◆	◆	◆	◆	◆	◆			◆
3/8" O.D. Copper Supply Tubes	◆	◆	◆	◆	◆	◆	◆	◆	◆
1/2"-14 NPSM Adapters	◆	◆	◆	◆	◆	◆	◆	◆	◆
Metal Pop-Up Drain	◆	◆	◆	◆	◆	◆	◆	◆	◆
Chrome Finish		◆						◆	
Chrome and <i>Brilliance</i> ® Polished Brass Finish	◆								
<i>Brilliance</i> ® Polished Brass Finish						◆	◆		
<i>Brilliance</i> ® Pearl Nickel Finish				◆					
<i>Brilliance</i> ® Pearl Nickel and Chrome Finish			◆						
<i>Brilliance</i> ® Pearl Nickel and <i>Brilliance</i> ® Polished Brass Finish					◆				
White Finish									◆

**\*Available LHP Handle Options**

<p>H22</p>  <p>2 1/2" (64 mm)</p> 	<p>H24</p>  <p>3 1/4" (83 mm)</p> 	<p>H25</p>  <p>2 5/16" (59 mm)</p> 	<p>H26</p>  <p>1 1/4" (32 mm)</p> 	<p>H27</p>  <p>1 1/4" (32 mm)</p> 	<p>H41</p>  <p>1 3/8" (35 mm)</p>
<p>H48</p>  <p>1" (25 mm)</p>	<p>H212</p>  <p>3" (76 mm)</p> 	<p>H215</p>  <p>2 5/16" (59 mm)</p> 	<p>H216</p>  <p>2 9/16" (65 mm)</p> 	<p>H217</p>  <p>2 1/2" (64 mm)</p> 	

**\*Available LHP Handle Accent Options with Matching Lift Knobs**

 A22CL 	 A24OK 
 A22, A22PB, A22WH 	 A24CL 
 A22PR 	 A24, A24NC, A24NN, A24NP, A24PB, A24WH, 



Indianapolis, Indiana 46280  
 A Division of Masco Corporation of Indiana  
 © 2002 Masco Corporation of Indiana