

Electronic Exposed Flush Valves for Washdown Urinals

HDF[®]
COMMERCIAL



COMPLETE MODELS

SPECIFICATION: (example)

DEMD-86505

- Exposed infrared electronic valve for 3/4" IP spud washdown urinals
- Solid brass construction
- **1/2" universal FIP/copper sweat inlet adaptor supplied**
- Union inlet stop, inlet cover tube, brass wall flange with set screw
- Outlet tube with spud flange and coupling nut
- Polished chrome plated finish

Warning: This model must be installed on fixtures providing sufficient air gap protection against backflow.

DEMD-86515

- Same as DEMD-86505 above but with vacuum breaker assembly in the outlet tube (eliminates requirement for fixture to provide sufficient air gap protection)

DEMD-86525

- Same as DEMD-86505 above but with 2 check valves in the outlet tube (eliminates requirement for fixture to provide sufficient air gap protection)



**DEMD-86505
& DEMD-86525**



DEMD-86515

RETROFIT MODELS FOR 86T505

SPECIFICATION: (example)

DEMD-86405

- Kit to convert Delta 86T505 manual washdown urinal valve to electronic
- Exposed infrared electronic valve
- Solid brass construction
- Attaches to union inlet stop from the manual 86T505 valve
- Outlet tube with spud flange and coupling nut
- Polished chrome plated finish

Warning: This model must be installed on fixtures providing sufficient air gap protection against backflow.

DEMD-86415

- Same as DEMD-86405 above but with vacuum breaker assembly in the outlet tube (eliminates requirement for fixture to provide sufficient air gap protection)

DEMD-86425

- Same as DEMD-86405 above but with 2 check valves in the outlet tube (eliminates requirement for fixture to provide sufficient air gap protection)



**DEMD-86405
& DEMD-86425**



DEMD-86415

Engineer/Architect Approval

Model Specified:

Approval:

Date:

Note: Use this page front and back as a product submittal sheet.
Delta reserves the right (1) to make changes in specifications and materials, and (2) to change or discontinue models, both without notice or obligation.
Dimensions are for reference only. See current full-line price book or www.specselect.com for finish options and product availability.

Refer to www.specselect.com for individual models.



HDF[®]
COMMERCIAL

Electronic Exposed Flush Valves for Washdown Urinals



Approvals:

- IAPMO listed to CSA B125.3 and ASSE 1037
 - ADA Compliant and meets Handicapped Accessibility Standard ICC/ANSI A117.1 of less than 5 lbs. operating force.
- (Contact Delta Representative for State and/or Local Approvals.)

OPERATION

Power:

- Internally mounted 9V battery (supplied)
- Low battery level indicator (constant blinking of red light when user in range)

Sensing Range:

- Factory set at 21" (533 mm)
- Field adjustable from 11.8" to 31.5" (300-800 mm) (manually or with Optional Remote Control # 060967A)

Washdown Volumes:

- Factory set at 0.5 gallons per flush (1.9 litres per flush)
- Field adjustable from 0.125 to 1.0 gallons per flush (0.5 to 3.8 litres per flush)

ONLY WITH THE OPTIONAL REMOTE CONTROL # 060967A

Other Adjustments:

(Using 060967A ONLY)

- Arming and flush delay times
- Automatic 24-hour flush
- Temporary lock out time

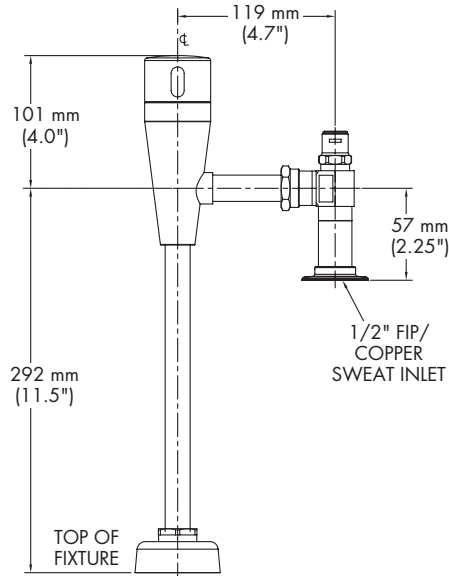
OPTIONS AVAILABLE:

- 060967A**
 - Remote control

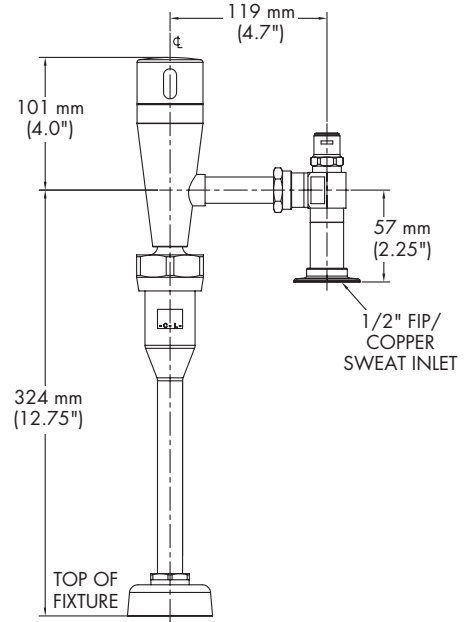
INLETS - 1/2" FIP/Copper

Note: Measurements may vary \pm 6mm (0.25")

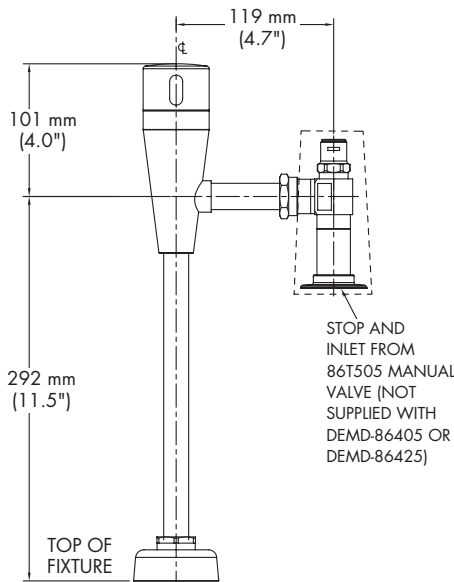
DEMD-86505 & DEMD-86525



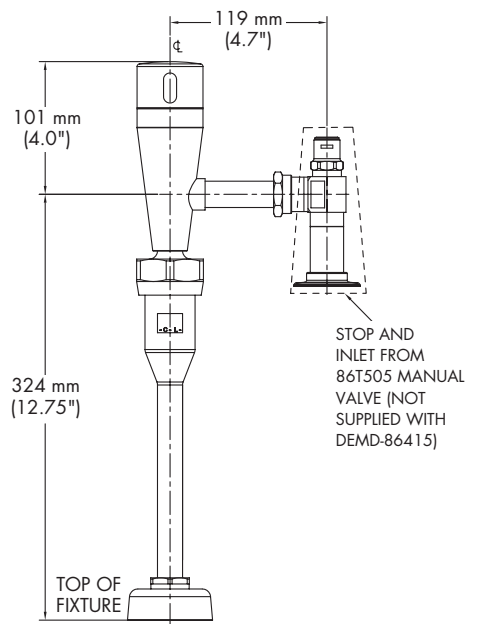
DEMD-86515 (WITH VACUUM BREAKER)



DEMD-86405 & DEMD-86425



DEMD-86415 (WITH VACUUM BREAKER)



Note: Use this page front and back as a product submittal sheet. Delta reserves the right (1) to make changes in specifications and materials, and (2) to change or discontinue models, both without notice or obligation. Dimensions are for reference only. See current full-line price book or www.specselect.com for finish options and product availability.

Refer to www.specselect.com for individual models.