

# DELTA

## KITCHEN FAUCETS

- Classic Series
- Single Handle Deck Mount
- Single and 2 Hole Sink Applications
- Quick Snap® Vegetable Sprayer Hose Installation on Model 175 Series

Submitted Model No.: \_\_\_\_\_

Specific Features: \_\_\_\_\_

### STANDARD SPECIFICATIONS:

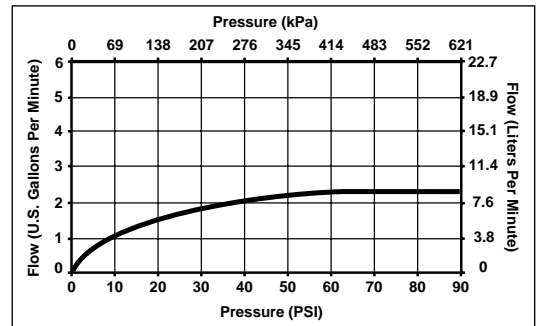
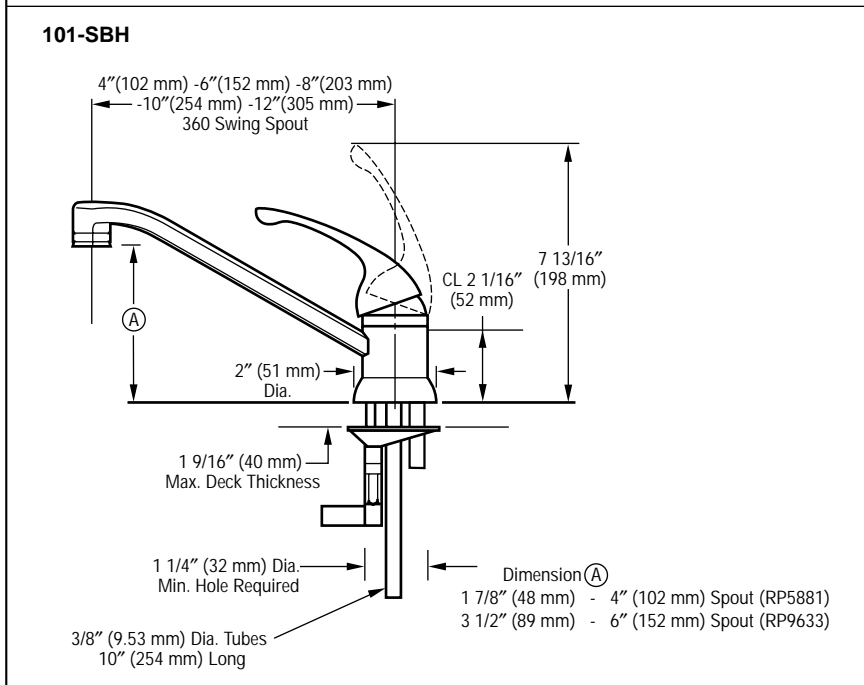
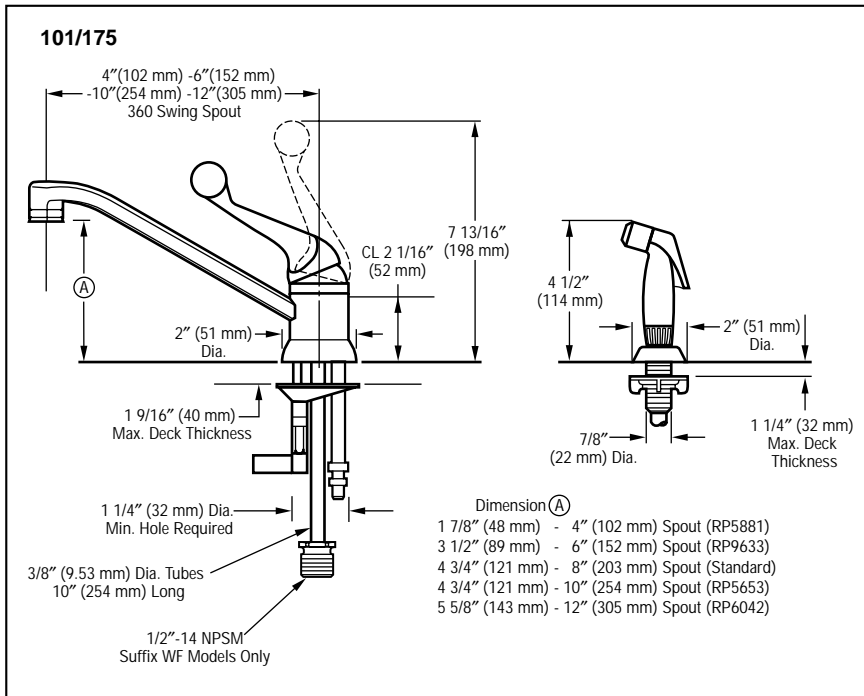
- Solid brass fabricated body.
- Standard 8" (203 mm) long spout swings 360°.
- 6" (152mm) long spout swings 360°. Standard on models 101-06 and 101-06SBH.
- Lever handle. Control mechanism shall be of the rotating stainless steel ball type with replaceable non-metallic seats operating in stainless steel lined sockets.
- Control handle shall return to neutral position when valve is turned off.
- Model 175 series with spray attachment has anti-siphon device as integral part of valve body.
- Quick Snap® vegetable sprayer hose with white sprayhead on model 175 series - 45" (1143mm) long hose.
- 3/8" O.D. copper tube inlets.
- Models with suffix "WF" supplied with 1/2"-14 NPSM adapters.

### WARRANTY

- Lifetime Faucet and Finish Limited Warranty to the original consumer purchaser to be free from defects in material and workmanship.
- 5 Year Limited Warranty for usage in all industrial, commercial and business applications.

### COMPLIES WITH:

- ASME A112.18.1 / CSA B125.1
- NSF 61
- Indicates ADA compliance to ICC/ANSI A117.1
- IAPMO Listed
- CSA Certified



Indianapolis, Indiana 46280  
A Division of Masco Corporation of Indiana  
© 2006 Masco Corporation of Indiana

Delta reserves the right (1) to make changes in specifications and materials, and (2) to change or discontinue models, both without notice or obligation. Dimensions are for reference only. See current full-line price book for finish options and product availability.