




## Electronic Showers

Hardwire Operated (860T1) - Push button electronic shower system

### Model No: 860T158

#### COMPLIES WITH:

- ASME A112.18.1 / CSA B125.1
-  Indicates compliance to ICC/ANSI A117.1
- Control/Sensor Box Option 7, Pressure Balancing Valve, complies with ASSE 1016/ASME A112.1016/CSAB125.16
- Control/Sensor Box Option 8, Thermostatic Mixing Valve certified to CSA B.125.3. Complies with ASSE 1069 and ASSE 1070/ASME A112.1070/CSA B125.70.
- Handshower back flow protection provided by two integral certified check valves in series, which operate independently, ASME A112.18.3
- Patented
- PAUSE WARNING for #5 Handshower. Plumbing Codes require that showerheads and handshowers provide a small but continuous flow of water (trickle) when in "PAUSE" mode. Because of this continuous flow, in certain circumstances pressure variations in the water line and/or changes in the position of the shower temperature control handle while in "PAUSE" mode could result in dramatic changes to the temperature of the water when the shower head or hand shower is returned to the "ON" position. ALWAYS point the shower head away from yourself when returning to the "ON" position and feel the water with your hand before resuming your shower to ensure the water flow is not too hot or too cold. DO NOT allow children or others who might not understand this warning to use the "PAUSE" function.
- (Contact Delta Representative for State and/or Local Approvals)



#### NOTES:

Supplied as COMPLETE PRODUCT ONLY

#### SPECIFICATION:

- Push button electronic shower system
- Hardwire – 24 VAC to 6 VDC or Battery – 4 "AA" 6 VDC
- Stainless steel cover with S/S vandal resistant mounting screws
- Metal mounting box
- Field adjustable shower time
- Slow closing solenoid valve
- Integral stop
- Tempered water supplied to solenoid valve (except control box options No. 3 and 6)
- Hardwire Operated (860T1) - Push button electronic shower system
- #5 Shower - Handshower with Push Button Pause and standard 24" (610mm) Stainless Steel Slide Bar
- #5 Shower Flow Rate MAX: 1.5 GPM @ 80 PSI (5.7 L/min @ 552 kPa)
- #5 Shower Flow Rate MIN: 1.28 GPM @ 45 PSI (4.85 L/min @ 310 kPa)
- Note: # 7 Showerhead supplied with 1/2" sweat outlet # 0, 3, 5 showerhead supplied with 3/8 M.I.P. outlet shown
- Tempered water supplied to solenoid valve
- Models supplied without a showerhead must be used with showerheads rated at 1.29 L/min @ 310 kPa (0.34 gpm @ 45 psi) or higher.

#### OPERATION:

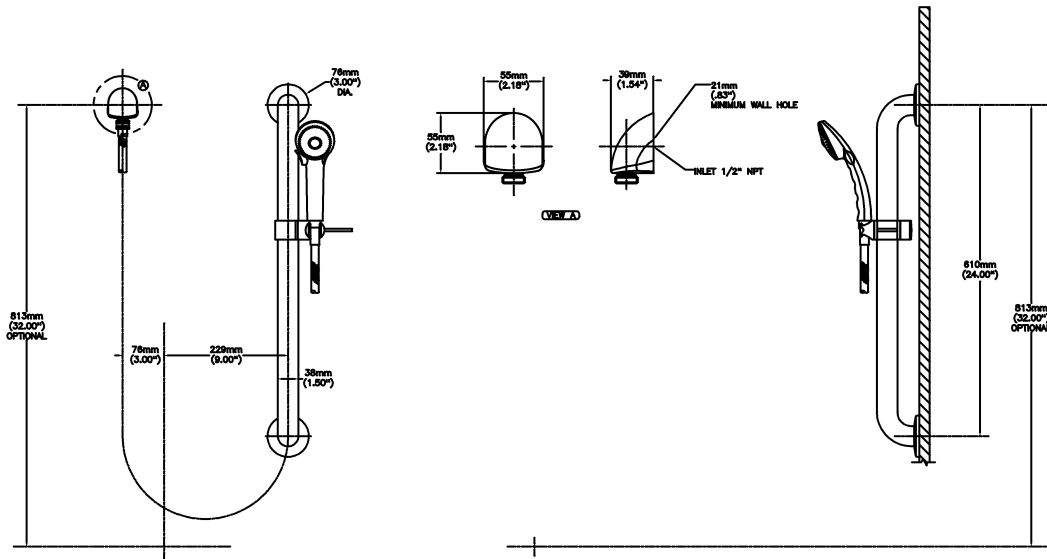
- Shower flows when push button is activated.
- Adjustable maximum continuous run time
- 10 minutes.
- Factory set to 3 minutes.

***(Dimensional drawing on following page)***

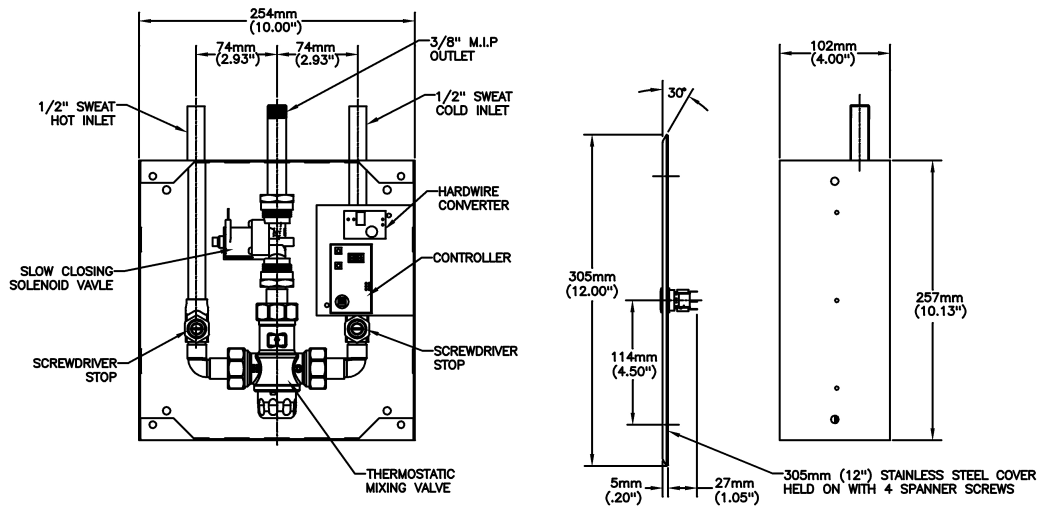
Delta reserves the right (1) to make changes to specifications and materials, and (2) to change or discontinue models, both without notice or obligation. Dimensions are for reference. Measurement may vary plus or minus 6mm(0.25"). Mounting locations are suggested only. Check with local codes for requirements in your area. This spec was produced April 13, 2021.

Delta Faucet Company - 55 East 111th St. - Indianapolis, Indiana, USA 46280 - (317) 848-1812  
Delta Faucet Canada - 395 Matheson Blvd E - Mississauga, Ontario, Canada L4Z 2H2 - (905) 712-3030

Model No: 860T158



**860T1  
CONTROL BOX #8  
HARDWARE**



NOTE:  
PERIMETER FOAM  
TAPE SUPPLIED  
6mm(.24") THICK

Delta reserves the right (1) to make changes to specifications and materials, and (2) to change or discontinue models, both without notice or obligation. Dimensions are for reference. Measurement may vary plus or minus 6mm(0.25"). Mounting locations are suggested only. Check with local codes for requirements in your area. This spec was produced April 13, 2021.

Delta Faucet Company - 55 East 111th St. - Indianapolis, Indiana, USA 46280 - (317) 848-1812  
Delta Faucet Canada - 395 Matheson Blvd E - Mississauga, Ontario, Canada L4Z 2H2 - (905) 712-3030