

# 83T241

## Description

Concealed Flush Valve for Water Closet, 1.5" (38 Mm) back inlet freestanding fixture, adjustable flush volume with oscillating handle.

## Specifications

- Flush Volume: Adjustable - Factory Set @ 1.6 gpf (6.0 Lpf)
- Fixture Type: 1.5" (38 mm) Freestanding water closet, back inlet
- Valve Type: Water closet
- Operation: Oscillating handle

## Features

- Quiet action TECK® concealed diaphragm flush valve for smooth and noise-free operation
- Chloramine resistant diaphragm attached to guide with metal retainer, ensuring resistance to corrosive elements
- Diaphragm retainer made of forged brass for superior strength and durability
- Renewable seat for long-lasting durability and ease of maintenance
- Water conserving adjustable flush volume from 1.1 to 6.6 gpf (4.2 to 25 Lpf) for efficient water usage, factory set to 1.6 gpf (6.0 Lpf) for efficient water usage
- ADA compliant metal oscillating handle actuator with "non hold open" feature for enhanced accessibility and precise control
- Vandal resistant operation control that can be easily located and installed within 20' (6 m) of the flush valve, providing security and accessibility
- Standard flush valve suitable for installation on walls of various thicknesses from 0" to 12.5" (318 mm)
- Pressure loss check angle stop with wheel handle for convenient control and water flow management
- Adjustable inlet/valve outlet centers of 4.75" ± 0.5" (121 mm ±13 mm) for flexible installation and precise alignment
- Polished chrome-plated finish on exposed trim for an attractive and corrosion-resistant appearance

## Notes

- Flushometer **MUST** be paired with a fixture of equivalent flush volume.
- When installing, ensure that the distance between the critical level mark & flood level rim meets local codes.
- Flushometer needs to be orientated in a vertical position.
- We strongly recommend that pipe size calculations be done to ensure proper water supply sizes. The minimum supply line diameter is dependent on a number of different factors: water pressure, pipe size and length of pipe run, number of fixtures per washroom and per building, fixture type, fixture usage factor, elevation of valve above the water main, etc.
- Flushometers **DO NOT** provide a water supply; they are merely automatically-timed self-closing valves. The inlet supply piping is the water reservoir that must supply sufficient water volume in a short period of time (4 to 10 seconds) to properly flush and clear the fixture.



## Complies With

- ASSE 1037/ASME A112.1037/CSA B125.37
- Indicates compliance to ICC/ANSI A117.1



(Contact Delta Representative for State and/or Local Approvals)

## Valve Operating Pressure

- Recommended water supply:  
Minimum flowing pressure – 25 psi (172 kPa)  
Minimum flow rate – 25 gpm (95 L/min)

**NOTICE** Dimensions are for reference only. Measurements may vary ± 0.25" (6 mm).  
Max. flow rate are at 60 psi (414 kPa).

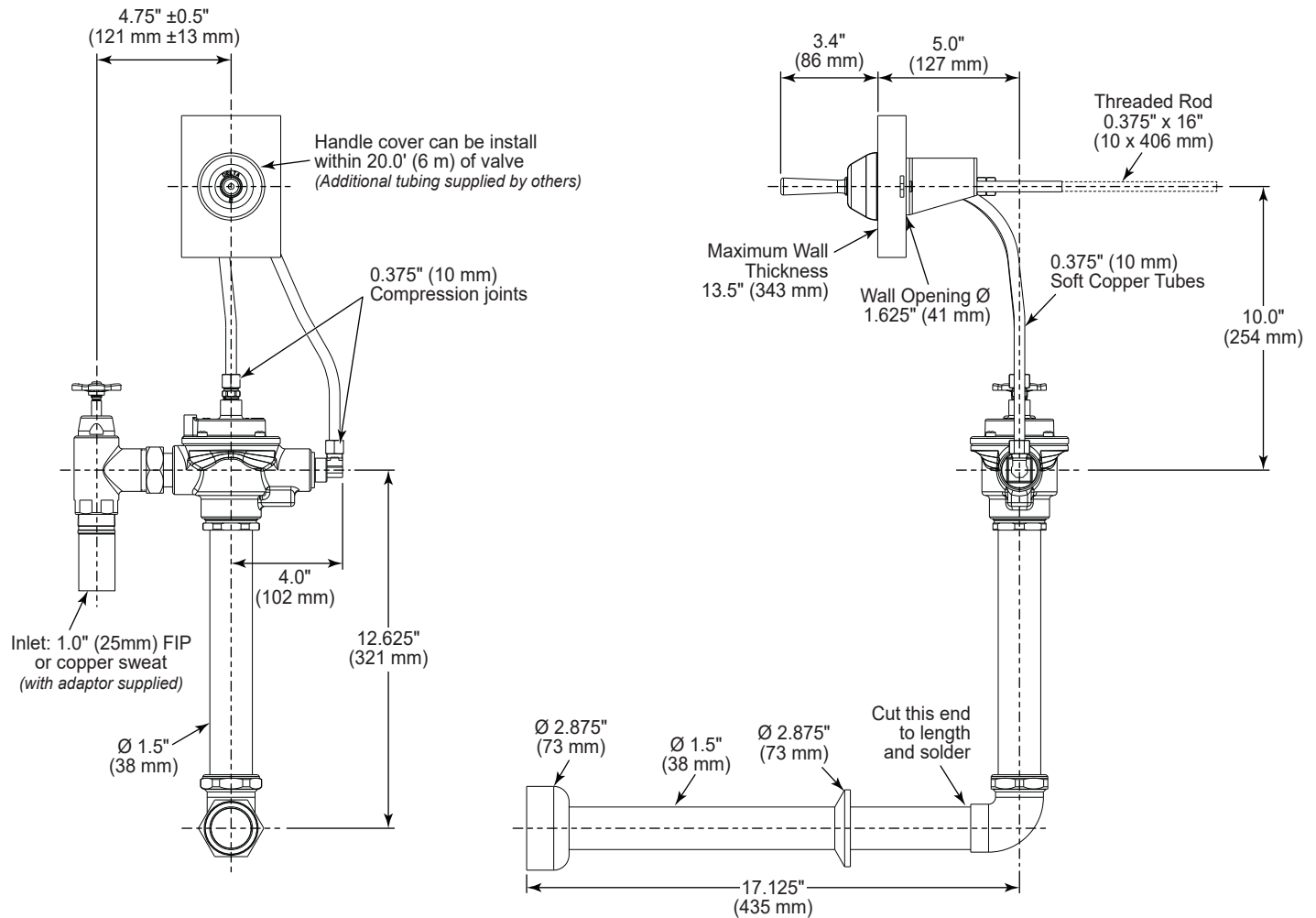
Delta Faucet Company reserves the right (1) to make changes in specifications and materials, and (2) to change or discontinue models, both without notice or obligation. See current full-line price book for finish options and product availability.

Masco Canada Limited  
350 South Edgeware Rd, St Thomas, Ontario, Canada N5P 4L1  
1-800-387-8277

**83T241**

This spec was produced on September 13, 2024.

# 83T241



Teck® flushometer valves are designed to operate at any supply pressure between 20 psi and 125 psi in accordance with ASSE 1037/ASME AI 12.1037/ CSA B125.37. The Teck® flush valve delivers the industry's highest peak flows to enhance bowl scrubbing. At high water pressures, splash out, noise or reduced life of plumbing components may be observed with a few models of water closet or urinal fixtures. To minimize or eliminate these effects, select a different model of water closet or urinal from the same or another manufacturer, or install a pressure reducing valve. If the installation does not allow for either of these options, the control stop adjusting screw may be used to reduce pressure to the valve.

**NOTICE** Dimensions are for reference only. Measurements may vary ± 0.25" (6 mm).  
Max. flow rate are at 60 psi (414 kPa).

Masco Canada Limited  
350 South Edgeware Rd, St Thomas, Ontario, Canada N5P 4L1  
1-800-387-8277

**83T241**

Delta Faucet Company reserves the right (1) to make changes in specifications and materials, and (2) to change or discontinue models, both without notice or obligation. See current full-line price book for finish options and product availability.

This spec was produced on September 13, 2024.